

THIS DOCUMENT IS FOR REFERENCE ONLY AND IS PROPRIETARY INFORMATION BELONGING TO INTERNATIONAL FILTER PRODUCTS UNAUTHORIZED COPIES OR USE FOR OTHER PURPOSES STRICTLY PROHIBITED.

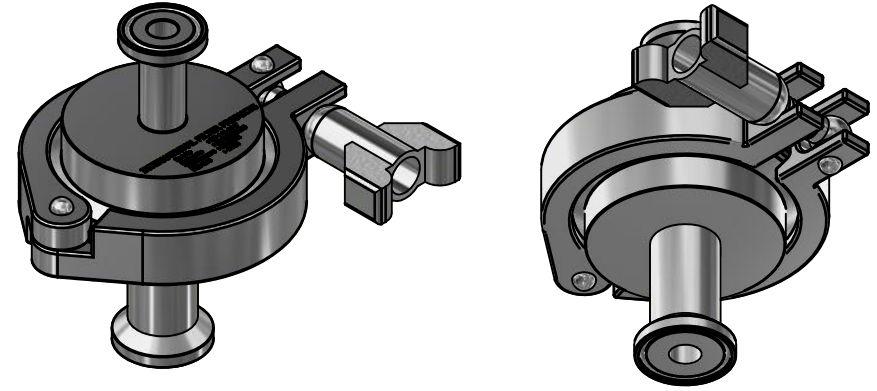
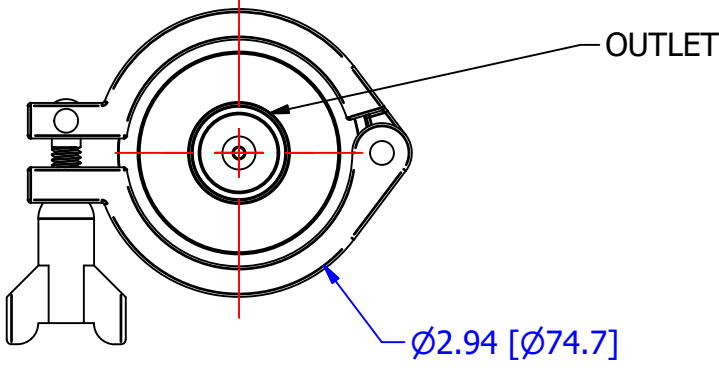
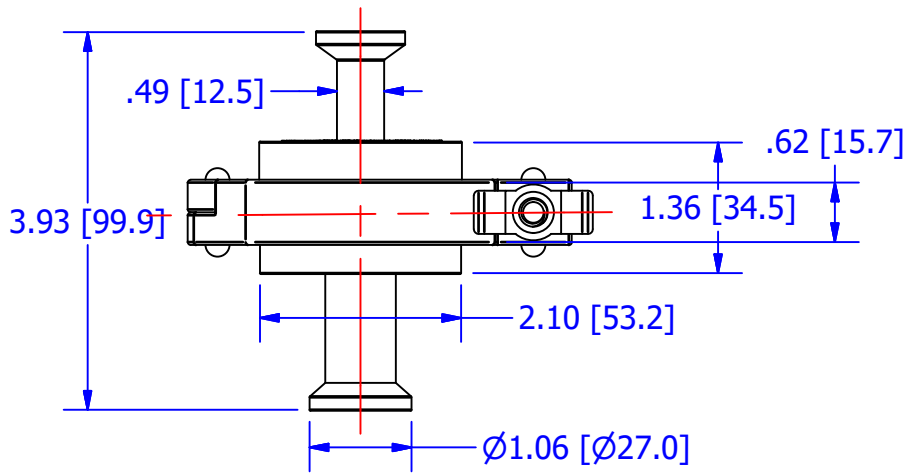
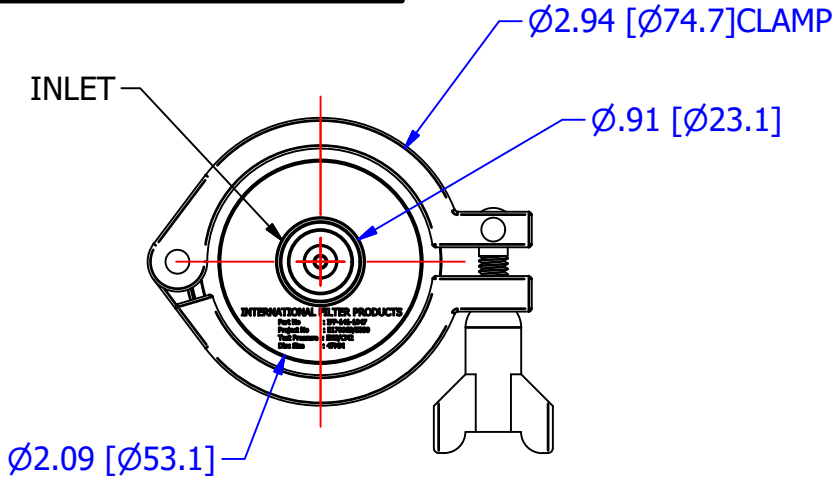
REVISIONS				
ZONE	REV	DESCRIPTION	DATE	APPROVED
	-	SALES DRAWING	8/16/2019	CD MORLAND

NOTES:

- 1.0 ALL WETTED SURFACES ARE: 316 L
- 2.0 INTERNAL SURFACE FINISH IS 20 RA; EXTERNAL 25 RA
- 3.0 FILTER DISC HOLDER DESIGNED FOR 71.1 PSI [4.9 BAR] @ 212 °F [100 °C].
- 4.0 FILTER DISC USED: 47MM
FILTER MEDIA SHEET: MEMBRANES & PP FIBROUS
- 5.0 FILTER AREA: 2.7 IN²; [17.4 CM²]
- 6.0 INLET AND OUTLET PORTS: 1/2" TC
- 7.0 DOME SEAL MATERIAL: EDPM
- 8.0 HOUSING IS DESIGNED TO BE STEAM STERILIZED @ at 259 °F [126 °C] FOR 60 MIN.

D
C
B
A

D
C
B
A

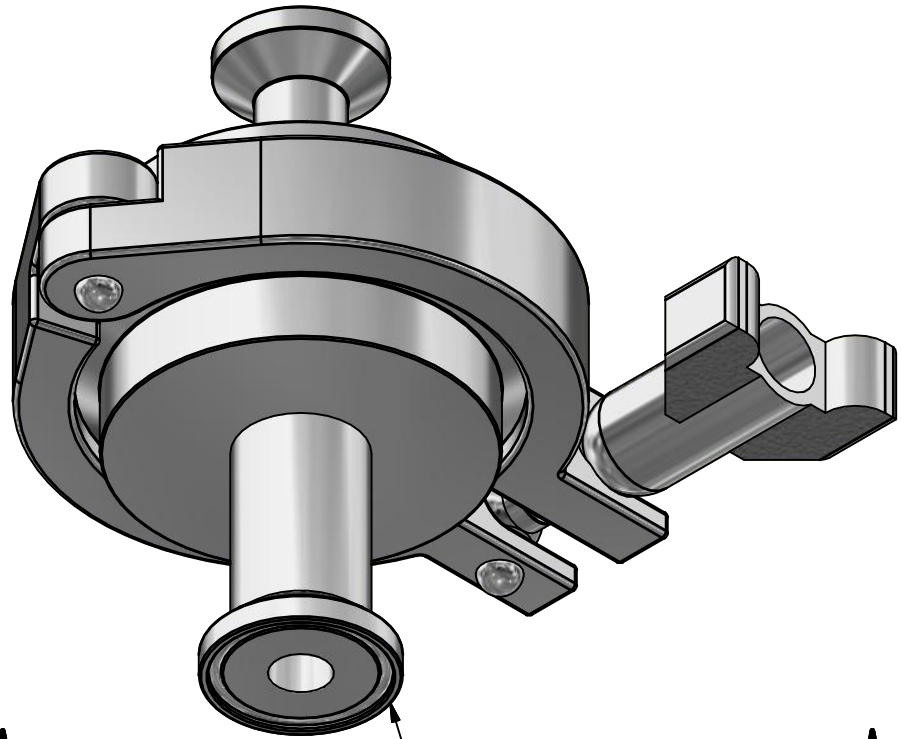


DRAWN ONYX S A	7/26/2019	International Filter Products		
CHECKED YA ZANKI	8/16/2019	11070 Fleetwood St., Unit B Sun Valley, CA 91352	PHONE: 818-504-8115 FAX: 818-841-2947 email: www.internationalfilterproducts.com	
APPROVED CD MORLAND	8/16/2019	TITLE DISC HOLDER, 47 MM, 316L SS		
UNLESS OTHERWISE SPECIFIED DIMENSIONS ARE IN INCHES		SIZE A	ISOF NO	REV -
DECIMALS X +/- .030	FRACTIONS +/- 1/16	SCALE NA	DWG NO IFFP-141-1047	WEIGHT N/A
ANGLES +/- 1/2	SURFACE ROUGHNESS 125	SHEET 1 OF 3		
CONCENTRICITIES .010 (FIM)	INTERNAL RADII .015~.030			
BREAK CORNERS .005~.015				

4 3 2 1

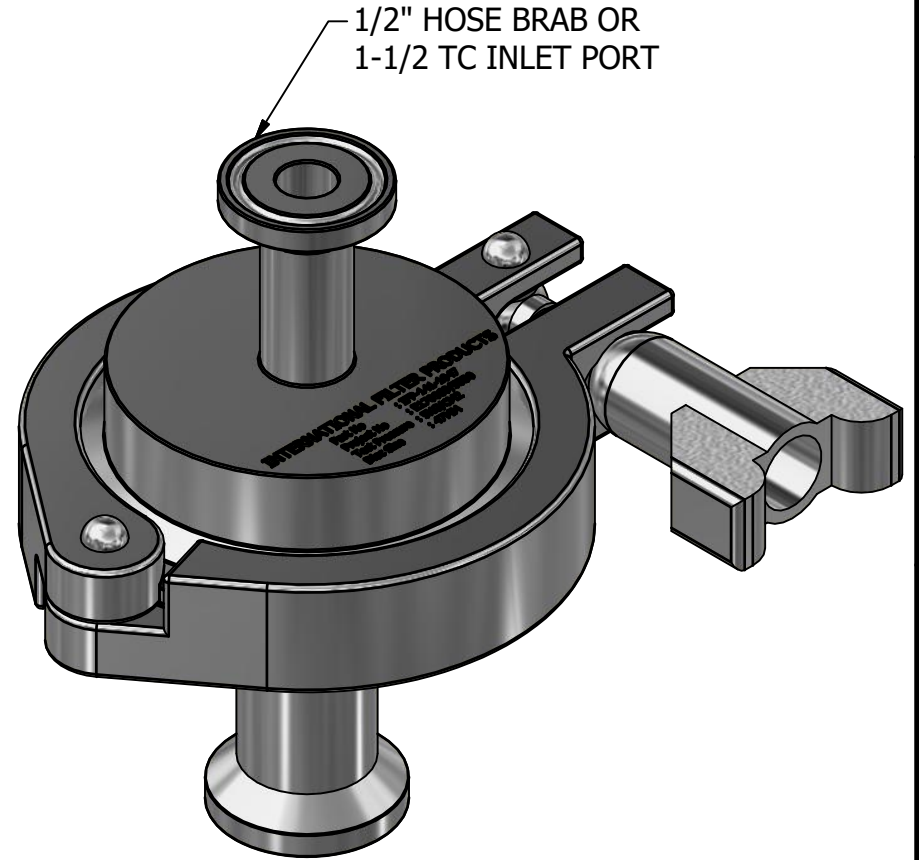
THIS DOCUMENT IS FOR REFERENCE ONLY AND IS PROPRIETARY INFORMATION BELONGING TO INTERNATIONAL FILTER PRODUCTS UNAUTHORIZED COPIES OR USE FOR OTHER PURPOSES STRICTLY PROHIBITED.

REVISIONS				
ZONE	REV	DESCRIPTION	DATE	APPROVED
	-	SALES DRAWING	8/16/2019	CD MORLAND



VIEW C-C
SCALE 1 : 1

1/2 HOSE BARB
OUTLET PORT



VIEW A-A
SCALE 1:1

DRAWN ONYX S A	7/26/2019	International Filter Products		
CHECKED YA ZANKI	8/16/2019	11070 Fleetwood St., Unit B Sun Valley, CA 91352	PHONE: 818-504-8115 FAX: 818-841-2947 email: www.internationalfilterproducts.com	
APPROVED CD MORLAND	8/16/2019	TITLE		
UNLESS OTHERWISE SPECIFIED DIMENSIONS ARE IN INCHES		DISC HOLDER, 47 MM, 316L SS		
DECIMALS X +/- .030	FRACTIONS +/- 1/16	SIZE A	ISOF NO	REV -
XX +/- .015	ANGLES +/- 1/2	SCALE	DWG NO IFP-141-1047	
XXX +/- .005	SURFACE ROUGHNESS 125	NA	WEIGHT N/A	SHEET 2 OF 3
CONCENTRICITIES .010 (FIM) INTERNAL RADII .015~.030 BREAK CORNERS .005~.015				