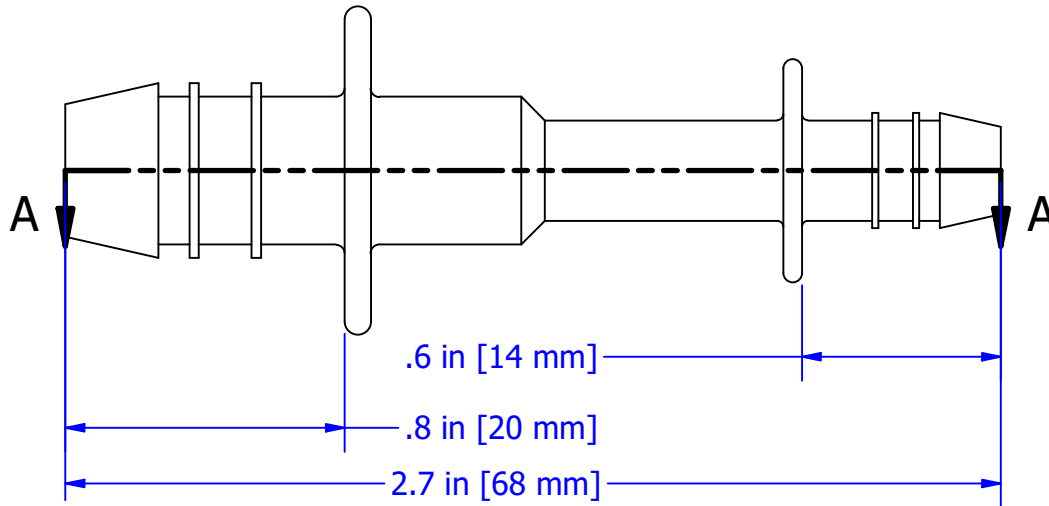
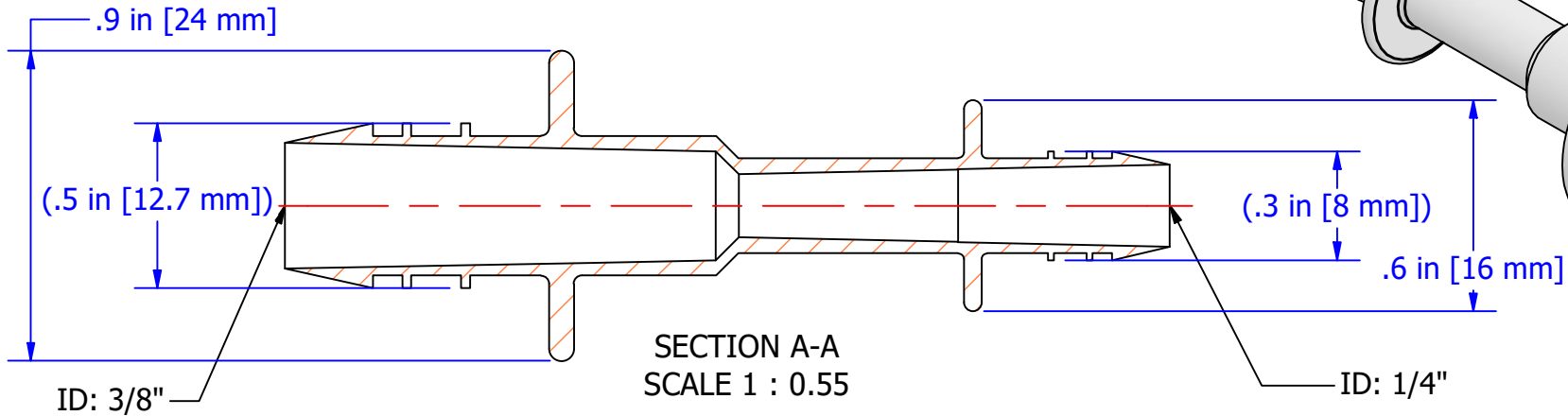


THIS DOCUMENT IS FOR REFERENCE ONLY AND IS PROPRIETARY INFORMATION BELONGING TO INTERNATIONAL FILTER PRODUCTS UNAUTHORIZED COPIES OR USE FOR OTHER PURPOSES STRICTLY PROHIBITED.

REVISIONS				
ZONE	REV	DESCRIPTION	DATE	APPROVED
	-	SALES DRAWING	10/28/2022	YA ZANKI



NOTE:

- 1.0 Material: Polypropylene
- 2.0 Can be Sterilized by Gamma Radiation
- 3.0 Max. Working Pressure @ 200 °F (93.3 °C): 100 PSI
- 4.0 Max. Working Pressure @ 72 °F (22.2 °C): 250 PSI
- 5.0 Max. Working Temperature: 200 °F (93.3 °C)
- 6.0 Manufactured and Packaged in a Certified Clean Room
- 7.0 Regulatory Information is Found in Catalog

DRAWN NV GABRIEL	10/7/2022
CHECKED YA ZANKI	10/28/2022
APPROVED YA ZANKI	10/28/2022

**International Filter Products**  
7914 AJAY DRIVE  
SUN VALLEY, CA 91352  
PHONE: 818-504-8115  
FAX: 818-841-2947  
email: charlie@internationalfilterproducts.com

UNLESS OTHERWISE SPECIFIED  
DIMENSIONS ARE IN INCHES

DECIMALS FRACTIONS +/- 1/16  
X +/- .030 ANGLES +/- 1/2  
XX +/- .015 SURFACE ROUGHNESS 125  
XXX +/- .005

CONCENTRICITIES .010 (FIM)  
INTERNAL RADII .015~.030  
BREAK CORNERS .005~.015

TITLE <b>FITTING, REDUCER 2 WAY, ID 0.25 in x 0.1875 in, PP</b>			
SIZE <b>A</b>	ISOF NO	DWG NO <b>PFR250X375PPAF</b>	REV -
SCALE NA	WEIGHT	SHEET <b>1</b>	OF <b>1</b>