

THIS DOCUMENT IS FOR REFERENCE ONLY AND IS PROPRIETARY INFORMATION BELONGING TO INTERNATIONAL FILTER PRODUCTS UNAUTHORIZED COPIES OR USE FOR OTHER PURPOSES STRICTLY PROHIBITED.

226 CARTRIDGE SLOT WITH LOCK TABS

REVISIONS				
ZONE	REV	DESCRIPTION	DATE	APPROVED
	-	Production Release	12/20/2018	YA Zanki

INTERNAL VIEW

1.5" TC GAUGE PORT

55 [1388]

1.5" TC OUTLET PORT

1.5" TC TO 1.0" TC INLET PORT

9 [225]

4 [101.2]

A

9.9 [251]

74°

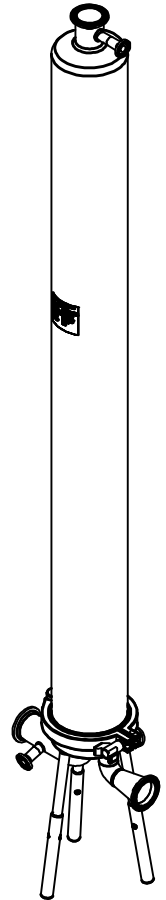
7.4 [188.5]

6.5 [166]

7.1 [180]

44.8 [1137]

SECTION A-A



NOTES:

- 1.0 DESIGN PRESSURE 125 PSI [8.5 BAR] @ 212 °F [100 °C]
- 2.0 FINISH INTERNAL: 16 RA; EXTERNAL 20 RA
- 3.0 UNIT IS DESIGNED TO ACCEPT FILTER CARTRIDGE:
 - (1) 2.75 DIA., 40" LONG 226 O-RING FILTER CARTRIDGE W/FIN
- 4.0 FILTER HOUSING IS DESIGNED AND BUILT PER ASME 2010 DIVISION I SECTION VIII
- 5.0 SEAL MATERIAL: SILICONE

DRAWN ONYX S A	12/4/2018
CHECKED Y A ZANKI	12/20/2018
APPROVED CD MORLAND	12/20/2018

International Filter Products

7914 Ajay Dr. PHONE: 818-504-8115
Sun Valley, CA 91352 FAX: 818-841-2947
email: www.internationalfilterproducts.com

UNLESS OTHERWISE SPECIFIED
DIMENSIONS ARE IN INCHES

DECIMALS FRACTIONS +/- 1/16
X +/- .030 ANGLES +/- 1/2
XX +/- .015 SURFACE ROUGHNESS 125
XXX +/- .005

CONCENTRICITIES .010 (FIM)
INTERNAL RADII .015~.030
BREAK CORNERS .005~.015

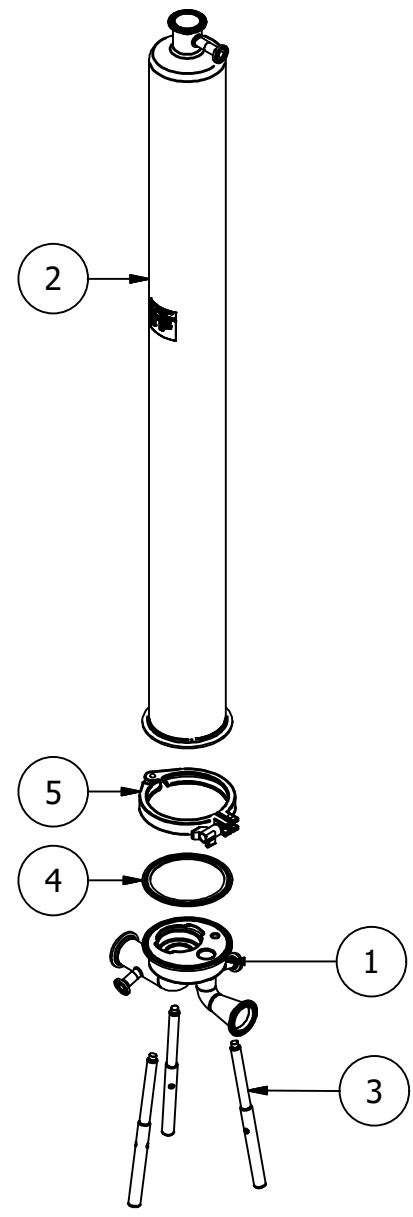
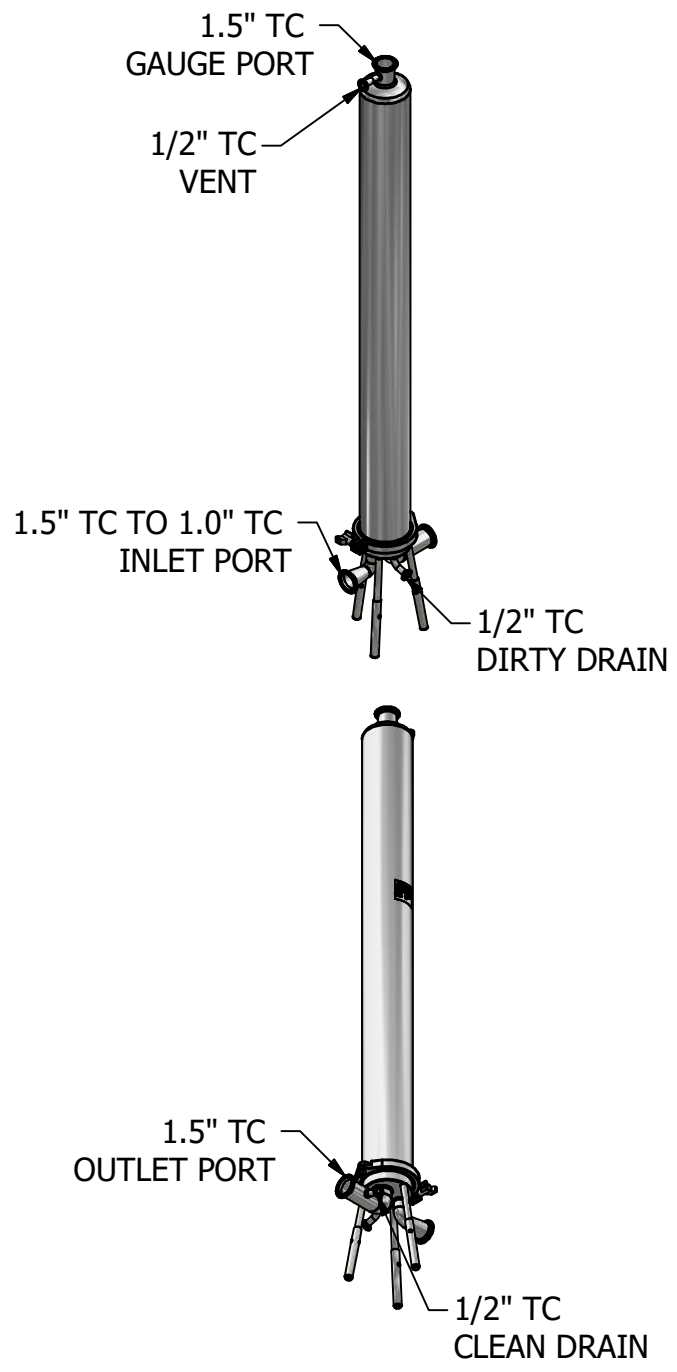
TITLE			
HOUSING, 40 INCH, SSSH			
SIZE A	ISOF NO	DWG NO 01-0210-4-1-226-1	REV -
SCALE NA	WEIGHT 16.584 lbmass	SHEET 1	OF 2

THIS DOCUMENT IS FOR REFERENCE ONLY AND IS PROPRIETARY INFORMATION BELONGING TO INTERNATIONAL FILTER PRODUCTS UNAUTHORIZED COPIES OR USE FOR OTHER PURPOSES STRICTLY PROHIBITED.

REVISIONS				
ZONE	REV	DESCRIPTION	DATE	APPROVED
	-	Production Release	12/20/2018	YA Zanki

D
C
B
A

D
C
B
A



STANDARD SEAL KITS	
PART NUMBER	DESCRIPTION
IFP-091-0021	SEALS, SSSH, TC, SILICONE, KIT
IFP-091-0022	SEALS, SSSH, TC, EPDM, KIT
IFP-091-0023	SEALS, SSSH, TC, BUNA, KIT
IFP-091-0024	SEALS, SSSH, TC, PTFE, KIT
IFP-091-0025	SEALS, SSSH, TC, VITON, KIT

ITEM	PART NUMBER	DESCRIPTION	QTY
5	IFP-10E-0005	CLAMP, TC, 4.0 INCH	1
4	IFP-09T-0106	SEAL, TC, 4.0 INCH, SILICONE	1
3	IFP-02D-0201	HOUSING, LEG, SSSH	3
2	IFP-02D-0205	HOUSING, 40L DOME, SSSH, T-TYPE	1
1	IFP-02D-0200-4	HOUSING, BASE, 1.5 IN SSSH, T-TYPE	1

BILL OF MATERIALS

DRAWN ONYX S A 12/4/2018 CHECKED Y A ZANKI 12/20/2018 APPROVED CD MORLAND 12/20/2018	International Filter Products 7914 Ajay Dr. Sun Valley, CA 91352 PHONE: 818-504-8115 FAX: 818-941-2947 email: www.internationalfilterproducts.com	TITLE HOUSING, 40 INCH, SSSH
UNLESS OTHERWISE SPECIFIED DIMENSIONS ARE IN INCHES DECIMALS FRACTIONS +/- 1/16 X +/- .030 ANGLES +/- 1/2 XX +/- .015 SURFACE ROUGHNESS 125 XXX +/- .005 CONCENTRICITIES .010 (FIM) INTERNAL RADII .015~.030 BREAK CORNERS .005~.015	SIZE A	ISOF NO DWG NO 01-0210-4-1-226-1
SCALE NA	WEIGHT 16.584 lbmass	SHEET 2 OF 2

4 3 2 1

4 3 2 1