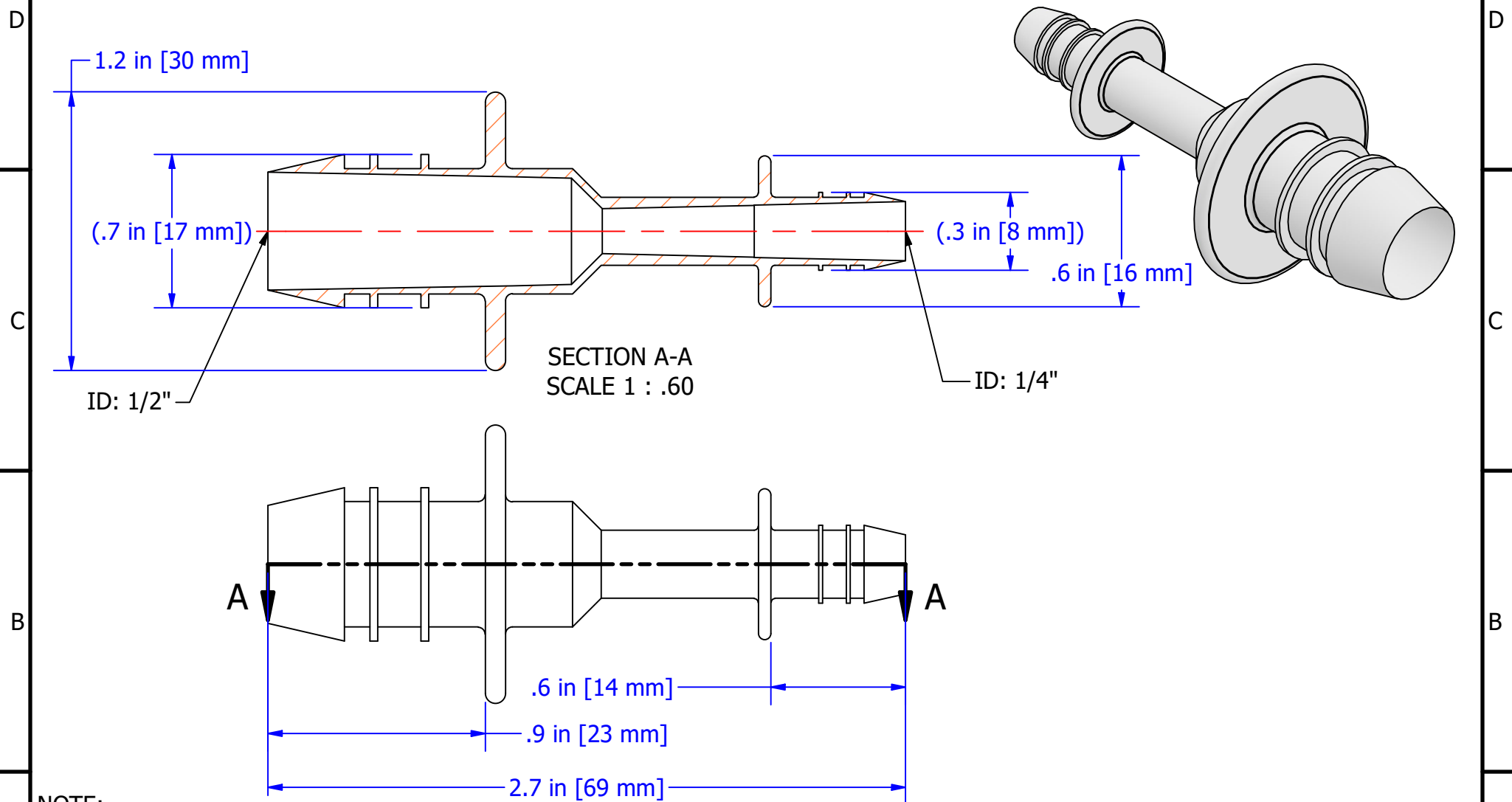


THIS DOCUMENT IS FOR REFERENCE ONLY AND IS PROPRIETARY INFORMATION BELONGING TO INTERNATIONAL FILTER PRODUCTS UNAUTHORIZED COPIES OR USE FOR OTHER PURPOSES STRICTLY PROHIBITED.

| REVISIONS | | | | |
|-----------|-----|---------------|------------|----------|
| ZONE | REV | DESCRIPTION | DATE | APPROVED |
| | - | SALES DRAWING | 10/28/2022 | YA ZANKI |



- NOTE:
- 1.0 Material: Polypropylene
 - 2.0 Can be Sterilized by Gamma Radiation
 - 3.0 Max. Working Pressure @ 200 °F (93.3 °C): 100 PSI
 - 4.0 Max. Working Pressure @ 72 °F (22.2 °C): 250 PSI
 - 5.0 Max. Working Temperature: 200 °F (93.3 °C)
 - 6.0 Manufactured and Packaged in a Certified Clean Room
 - 7.0 Regulatory Information is Found in Catalog

| | | | | | |
|---|--|------------------------------|--------|---|-----|
| DRAWN NV GABRIEL | | 10/7/2022 | | International Filter Products 7914 AJAY DRIVE PHONE: 818-504-8115 SUN VALLEY, CA 91352 FAX: 818-841-2947 email: charlie@internationalfilterproducts.com | |
| CHECKED YA ZANKI | | 10/28/2022 | | | |
| APPROVED YA ZANKI | | 10/28/2022 | | | |
| UNLESS OTHERWISE SPECIFIED DIMENSIONS ARE IN INCHES | | | | TITLE | |
| DECIMALS FRACTIONS +/- 1/16 | | X +/- .030 ANGLES +/- 1/2 | | FITTING, REDUCER 2 WAY, ID 0.25 in x 0.50 in, PP | |
| XX +/- .015 SURFACE ROUGHNESS 125 | | XXX +/- .005 | | SIZE | REV |
| CONCENTRICITIES .010 (FIM) | | INTERNAL RADII .015~.030 | | A | - |
| BREAK CORNERS .005~.015 | | SCALE | WEIGHT | SHEET 1 OF 1 | |