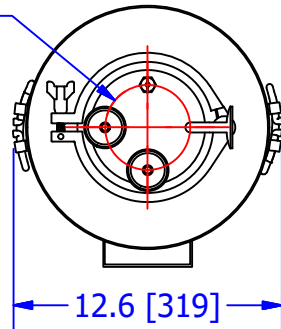


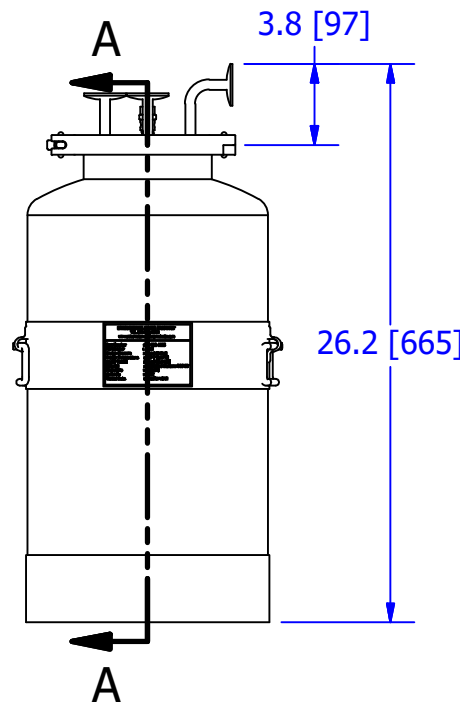
THIS DOCUMENT IS FOR REFERENCE ONLY AND IS PROPRIETARY INFORMATION BELONGING TO INTERNATIONAL FILTER PRODUCTS UNAUTHORIZED COPIES OR USE FOR OTHER PURPOSES STRICTLY PROHIBITED.

REVISIONS				
ZONE	REV	DESCRIPTION	DATE	APPROVED
	-	SALES DRAWING	10/1/2019	CD Morland

Ø4.0 [Ø102] BC

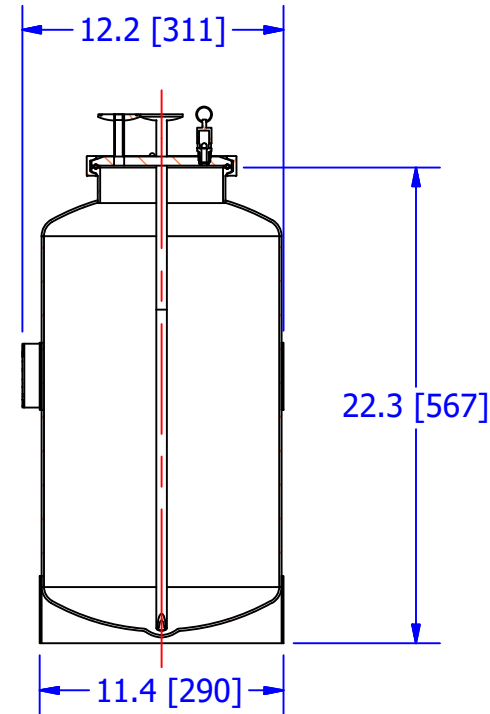


12.6 [319]



3.8 [97]

26.2 [665]



12.2 [311]

22.3 [567]

11.4 [290]

SECTION A-A  
SCALE 1:9

NOTES:

- 1.0 ALL WETTED SURFACES ARE: 316 L SS
- 2.0 INTERNAL SURFACE FINISH IS 16 RA; EXTERNAL 25 RA
- 3.0 PRESSURE POT DESIGNED FOR 78 PSI [5.4 BAR] @ 212 °F [100 °C].
- 4.0 PRESSURE POT WORKING VOLUME: 25L
- 5.0 INLET AND OUTLET PORTS: 1 INCH TRI-CLAMP
- 6.0 DOME SEAL MATERIA: EPDM
- 7.0 HOUSING DESIGNED TO BE STEAM STERILIZED @ at 270 °F [132 °C] FOR 30 MIN.

DRAWN Owner CHECKED YA Zanki APPROVED CD Morland	10/1/2019 10/1/2019 10/1/2019	<b>International Filter Products</b> 11070 Fleetwood St., Unit B Sun Valley, CA 91352 PHONE: 818-504-8115 FAX: 818-941-2947 email: www.internationalfilterproducts.com	TITLE <b>PRESSURE POT, 25L, 316L SS</b>
UNLESS OTHERWISE SPECIFIED DIMENSIONS ARE IN INCHES DECIMALS    FRACTIONS +/- 1/16 X +/- .030    ANGLES +/- 1/2 XX +/- .015    SURFACE ROUGHNESS 125 XXX +/- .005 CONCENTRICITIES .010 (FIM) INTERNAL RADII .015~.030 BREAK CORNERS .005~.015		SIZE <b>A</b>	ISOF NO DWG NO <b>IFP-021-1125</b>
SCALE	NA	WEIGHT	41.519 lbmass
SHEET		1 OF 3	

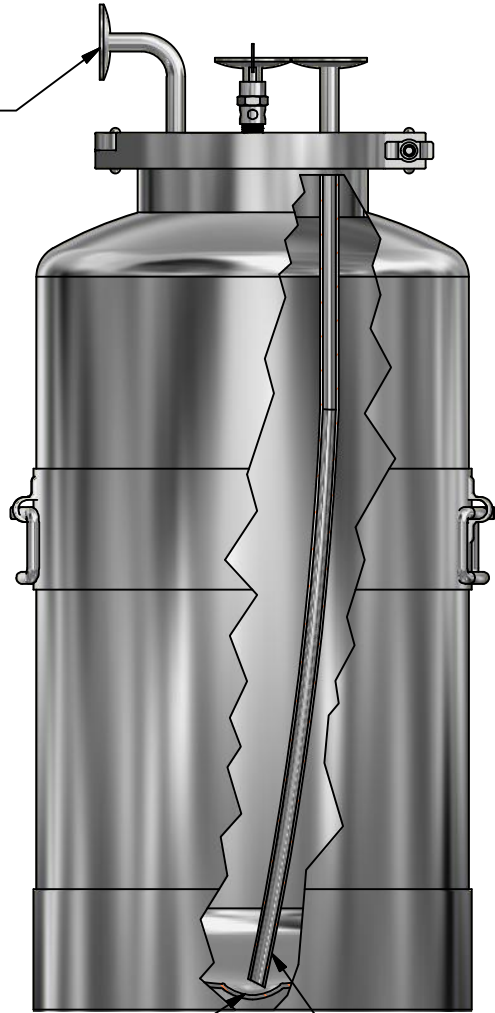
THIS DOCUMENT IS FOR REFERENCE ONLY AND IS PROPRIETARY INFORMATION BELONGING TO INTERNATIONAL FILTER PRODUCTS UNAUTHORIZED COPIES OR USE FOR OTHER PURPOSES STRICTLY PROHIBITED.

REVISIONS				
ZONE	REV	DESCRIPTION	DATE	APPROVED
	-	SALES DRAWING	10/1/2019	CD Morland

D  
C  
B  
A

D  
C  
B  
A

1" SANITARY TRI-CLAMP INLET



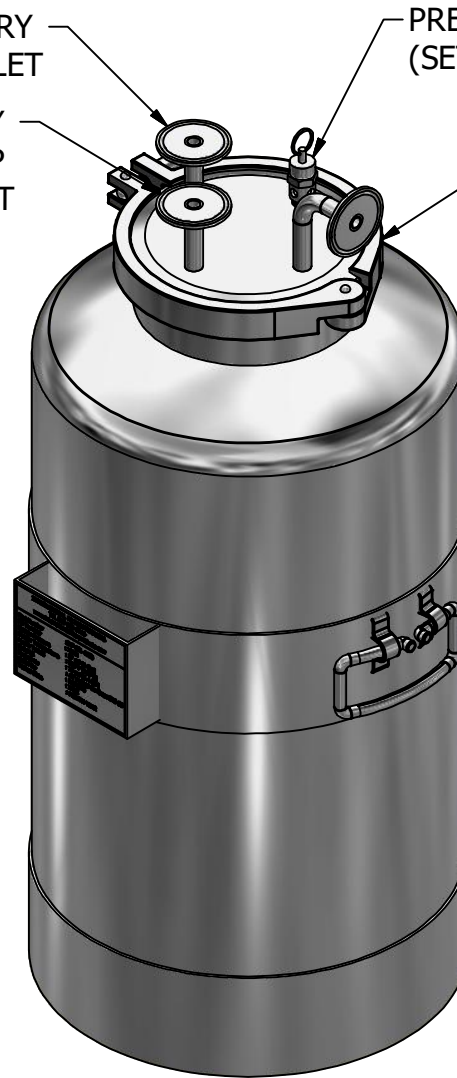
BULB  
DIP TUBE (ASSIST WITH LIQUID EXTRACTION)

1" SANITARY TRI-CLAMP OUTLET

1" SANITARY TRI-CLAMP GAUGE PORT

PRESSURE RELIEF VALVE (SET @ 30 PSI [2 BAR])

6" TC CLAMP



DRAWN Owner	10/1/2019
CHECKED YA Zanki	10/1/2019
APPROVED CD Morland	10/1/2019

**International Filter Products**  
11070 Fleetwood St., Unit B  
Sun Valley, CA 91352  
PHONE: 818-504-8115  
FAX: 818-941-2947  
email: www.internationalfilterproducts.com

UNLESS OTHERWISE SPECIFIED DIMENSIONS ARE IN INCHES  
DECIMALS FRACTIONS +/- 1/16  
X +/- .030 ANGLES +/- 1/2  
XX +/- .015 SURFACE ROUGHNESS 125  
XXX +/- .005  
CONCENTRICITIES .010 (FIM)  
INTERNAL RADII .015~.030  
BREAK CORNERS .005~.015

TITLE <b>PRESSURE POT, 25L, 316L SS</b>			
SIZE <b>A</b>	ISOF NO	DWG NO <b>IFP-021-1125</b>	REV -
SCALE NA	WEIGHT 41.519 lbmass	SHEET <b>2</b> OF <b>3</b>	

4

3

2

1