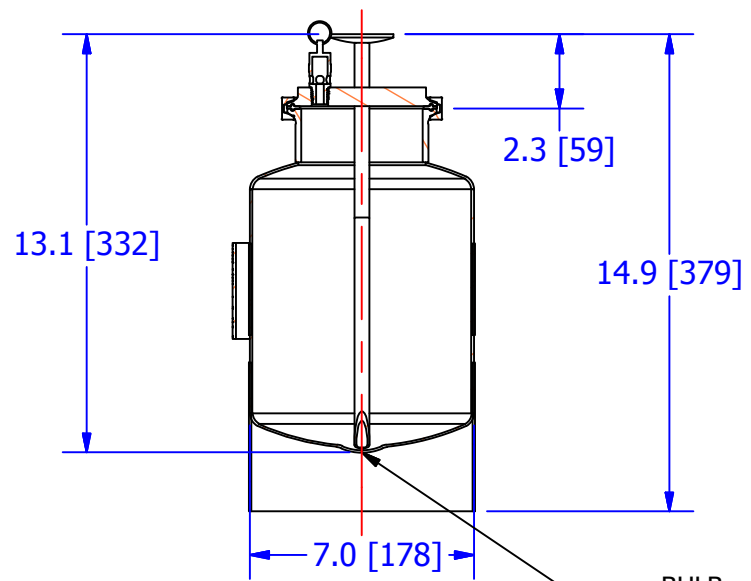
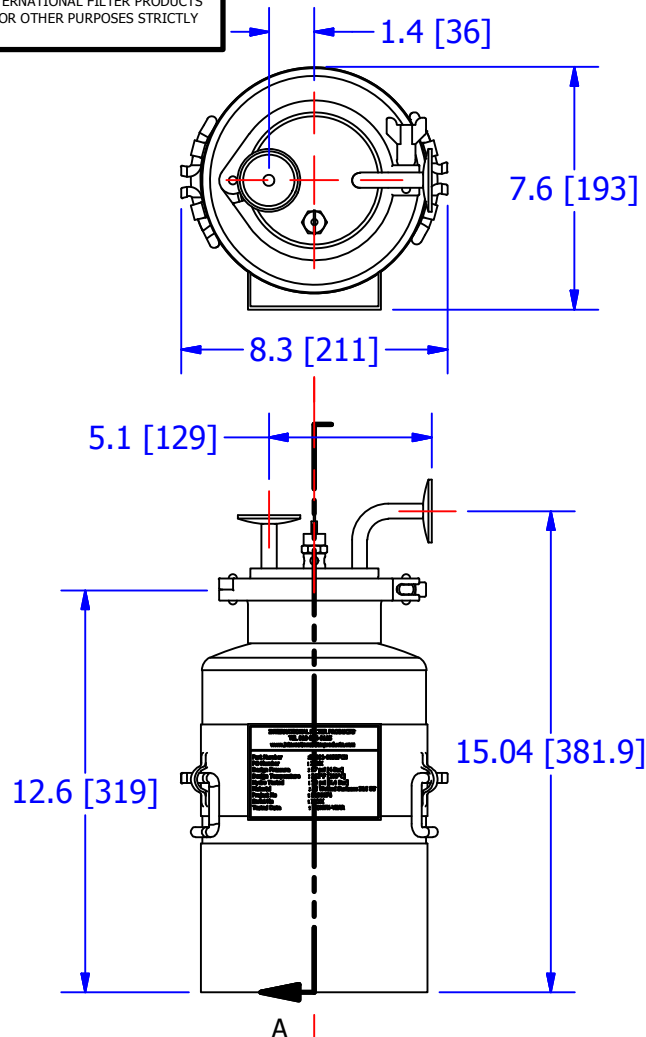


THIS DOCUMENT IS FOR REFERENCE ONLY AND IS PROPRIETARY INFORMATION BELONGING TO INTERNATIONAL FILTER PRODUCTS UNAUTHORIZED COPIES OR USE FOR OTHER PURPOSES STRICTLY PROHIBITED.

REVISIONS				
ZONE	REV	DESCRIPTION	DATE	APPROVED
	-	SALES DRAWING	7/16/2019	CD Morland



SECTION A-A
SCALE 1 / 6

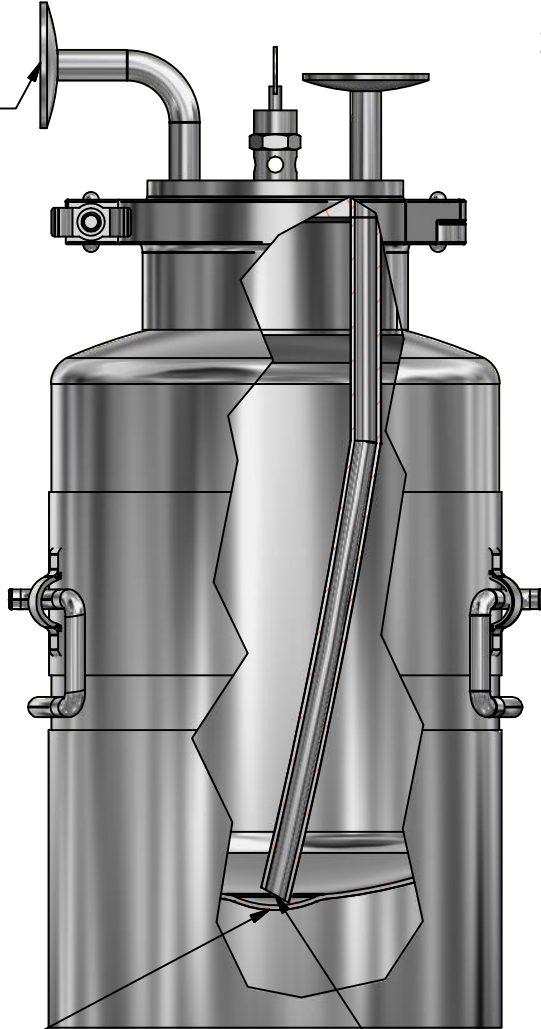
- NOTES:
- 1.0 ALL WETTED SURFACES ARE: 316 L SS
 - 2.0 INTERNAL SURFACE FINISH IS 16 RA; EXTERNAL 25 RA
 - 3.0 PRESSURE POT DESIGNED FOR 78 PSI [5.4 BAR] @ 212 °F [100 °C].
 - 4.0 PRESSURE POT WORKING VOLUME: 5L
 - 5.0 INLET AND OUTLET PORTS: 1 INCH TRI-CLAMP
 - 6.0 DOME SEAL MATERIAL: EPDM
 - 7.0 HOUSING IS DESIGNED TO BE STEAM STERILIZED @ at 270 °F [132 °C] FOR 30 MIN.

DRAWN MKC Capati 9/6/2019		International Filter Products 11070 Fleetwood St., Unit B Sun Valley, CA 91352		PHONE: 818-504-8115 FAX: 818-941-2947 email: www.internationalfilterproducts.com
CHECKED YA Zanki 9/6/2019		TITLE PRESSURE POT, 5L, 316L SS		
APPROVED CD Morland 9/6/2019		SIZE A	DWG NO IFP-021-1105	REV -
UNLESS OTHERWISE SPECIFIED DIMENSIONS ARE IN INCHES		SCALE NA	WEIGHT 15,314 lbmass	SHEET 1 OF 3
DECIMALS X +/- .030	FRACTIONS +/- 1/16			
XX +/- .015	ANGLES +/- 1/2			
XXX +/- .005	SURFACE ROUGHNESS 125			
CONCENTRICITIES .010 (FIM)				
INTERNAL RADII .015~.030				
BREAK CORNERS .005~.015				

THIS DOCUMENT IS FOR REFERENCE ONLY AND IS PROPRIETARY INFORMATION BELONGING TO INTERNATIONAL FILTER PRODUCTS UNAUTHORIZED COPIES OR USE FOR OTHER PURPOSES STRICTLY PROHIBITED.

REVISIONS				
ZONE	REV	DESCRIPTION	DATE	APPROVED
	-	SALES DRAWING	7/16/2019	CD Morland

1" SANITARY TRI-CLAMP INLET



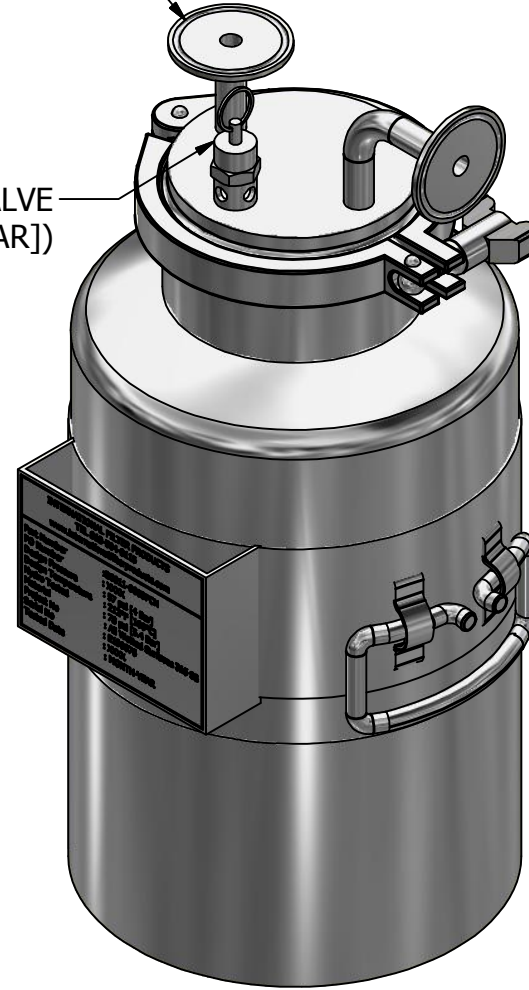
BULB

DIP TUBE
(ASSIST WITH LIQUID EXTRACTION)

1" SANITARY TRI-CLAMP OUTLET

PRESSURE RELIEF VALVE
(SET @ 30 PSI [2 BAR])

4" TC CLAMP



DRAWN MKC Capati	9/6/2019
CHECKED YA Zanki	9/6/2019
APPROVED CD Morland	9/6/2019

International Filter Products

11070 Fleetwood St., Unit B
Sun Valley, CA 91352
PHONE: 818-504-8115
FAX: 818-941-2947
email: www.internationalfilterproducts.com

UNLESS OTHERWISE SPECIFIED
DIMENSIONS ARE IN INCHES

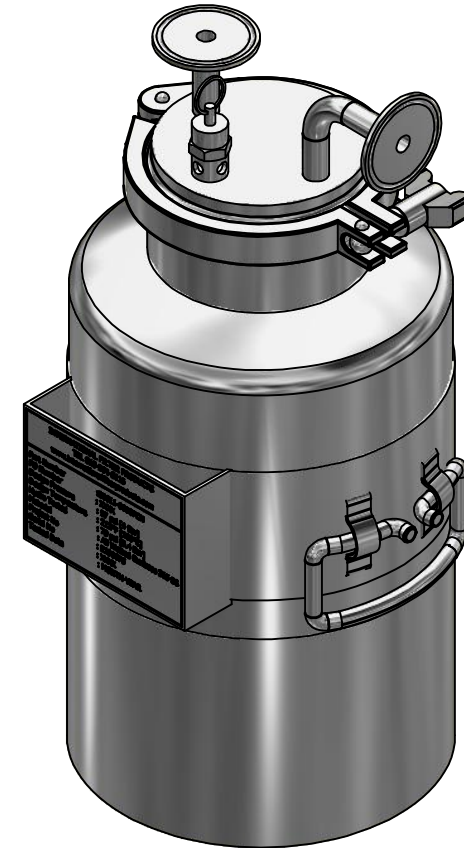
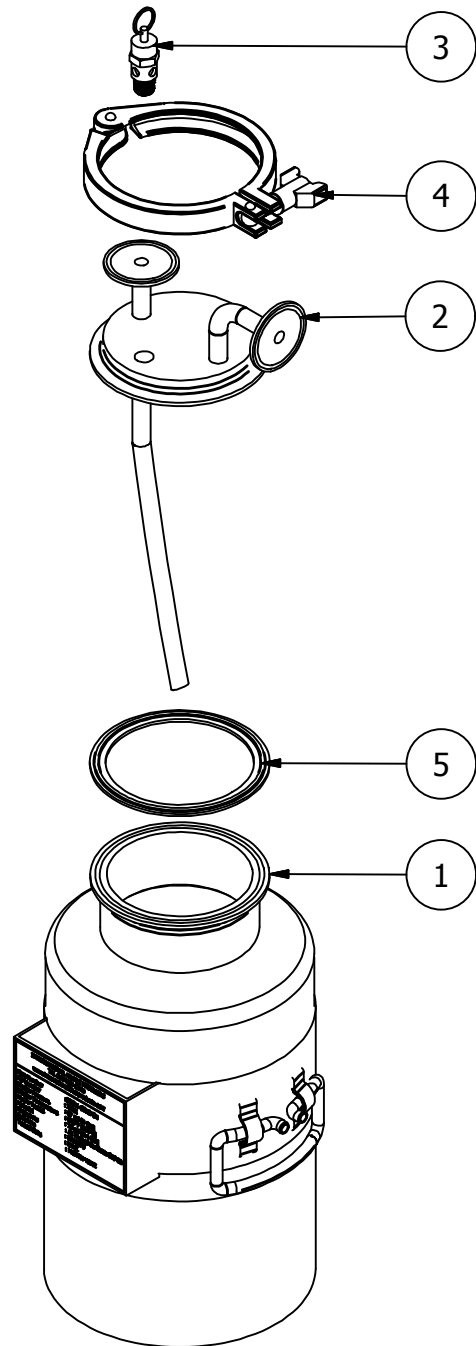
DECIMALS FRACTIONS +/- 1/16
X +/- .030 ANGLES +/- 1/2
XX +/- .015 SURFACE ROUGHNESS 125
XXX +/- .005

CONCENTRICITIES .010 (FIM)
INTERNAL RADII .015~.030
BREAK CORNERS .005~.015

TITLE PRESSURE POT, 5L, 316L SS			
SIZE A	ISOF NO	DWG NO IFP-021-1105	REV -
SCALE NA	WEIGHT 15.314 lbmass	SHEET 2 OF 3	

THIS DOCUMENT IS FOR REFERENCE ONLY AND IS PROPRIETARY INFORMATION BELONGING TO INTERNATIONAL FILTER PRODUCTS UNAUTHORIZED COPIES OR USE FOR OTHER PURPOSES STRICTLY PROHIBITED.

REVISIONS				
ZONE	REV	DESCRIPTION	DATE	APPROVED
	-	SALES DRAWING	7/16/2019	CD Morland



ITEM	QTY	PART NUMBER	DESCRIPTION
5	1	IFP-09U-0106	SEAL, TC, 4.0 INCH, EPDM
4	1	IFP-10E-0005	CLAMP, TC, 4.0 INCH
3	1	IFP-02E-1104	RELIEF VALVE, BSP PIPE THREAD, 0.25 INCH
2	1	IFP-021-1101	COVER, PRESS POT, 5L, 316L SS
1	1	IFP-021-1100	BASE, PRESS POT, 5L, 316L SS

BILL OF MATERIALS

DRAWN MKC Capati 9/6/2019 CHECKED YA Zanki 9/6/2019 APPROVED CD Morland 9/6/2019	International Filter Products 11070 Fleetwood St., Unit B Sun Valley, CA 91352 PHONE: 818-504-8115 FAX: 818-841-2947 email: www.internationalfilterproducts.com	TITLE PRESSURE POT, 5L, 316L SS
UNLESS OTHERWISE SPECIFIED DIMENSIONS ARE IN INCHES DECIMALS FRACTIONS +/- 1/16 X +/- .030 ANGLES +/- 1/2 XX +/- .015 SURFACE ROUGHNESS 125 XXX +/- .005 CONCENTRICITIES .010 (FIM) INTERNAL RADII .015~.030 BREAK CORNERS .005~.015	SIZE A ISOF NO DWG NO IFP-021-1105 SCALE NA WEIGHT 15.314 lbmass SHEET 3 OF 3	REV -