



ACCESSORIES – SANITARY 1-ROUND FILTER HOUSING

This section has been created to identify the spare parts necessary to rebuild a sanitary filter housing, provide information to change the filter configuration and to introduce common components that are used with filter housings.

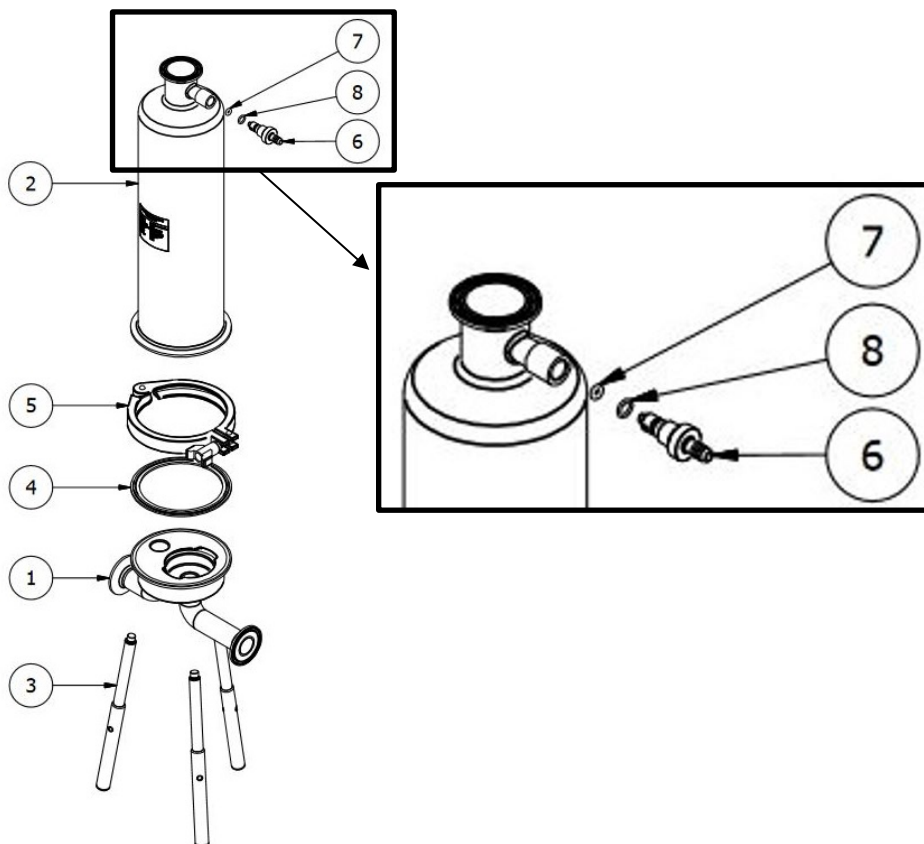


Figure 1: Exploded View of a Single Element Housing

Figure 1 represents an exploded view of a typical single element filter housing. The items identified are labeled with their corresponding part numbers in Table 1 below.

Table 1: Table of Components of Single Element Housing

8	IFP-09T-0002	SEAL, O-RING, 011, SILICONE	1
7	IFP-09T-0001	SEAL, O-RING, 105, SILICONE	1
6	IFP-03D-0001	VALVE, VENT, 0.25 INCH, 316LSS	1
5	IFP-10E-0005	CLAMP, TC, 4.0 INCH	1
4	IFP-09T-0106	SEAL, TC, 4.0 INCH, SILICONE	1
3	IFP-02D-0201	HOUSING, LEG, SSSH, T-TYPE	3
2	IFP-02D-0202	HOUSING, DOME, SSSH, T-TYPE.ipt	1
1	IFP-02D-0200	HOUSING, BASE, SSSH, T-TYPE	1
ITEM	PART NUMBER	DESCRIPTION	QTY

Seal Kits

Six (6) seals are required to completely change out the seals on the sanitary filter housings. The following table outlines the part numbers of five (5) seal kits that are offered in the following materials to meet your specifications:

Table 2: Seal Kit Part Numbers

STANDARD SEAL KITS	
PART NUMBER	DESCRIPTION
IFP-091-0001	SEALS, SSSH, SILICONE, KIT
IFP-091-0002	SEALS, SSSH, EPDM, KIT
IFP-091-0003	SEALS, SSSH, BUNA, KIT
IFP-091-0004	SEALS, SSSH, PTFE, KIT
IFP-091-0005	SEALS, SSSH, VITON, KIT

Refer below to Figure 2 for the contents in a typical seal kit.

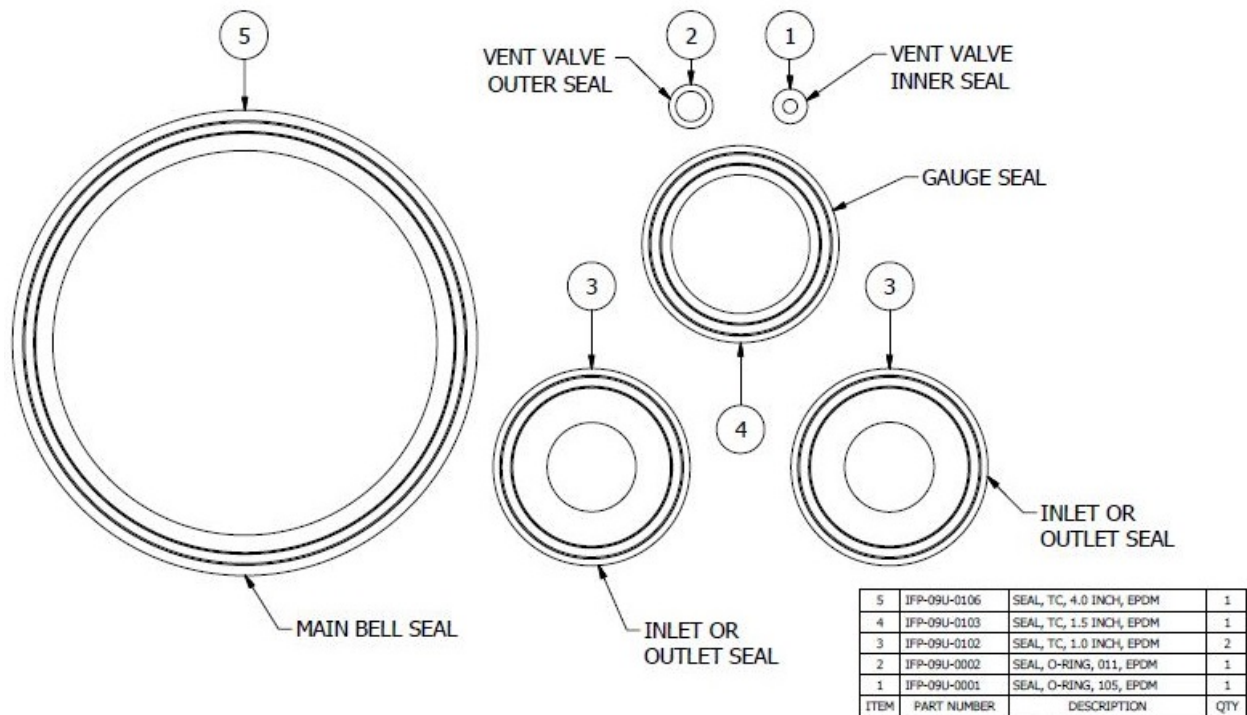


Figure 2: Example of Typical Seal Kit Contents

Overhaul Kits

Two (2) versions of overhaul kits are available for purchase. The options are listed below, and both are available with any material seal kit:

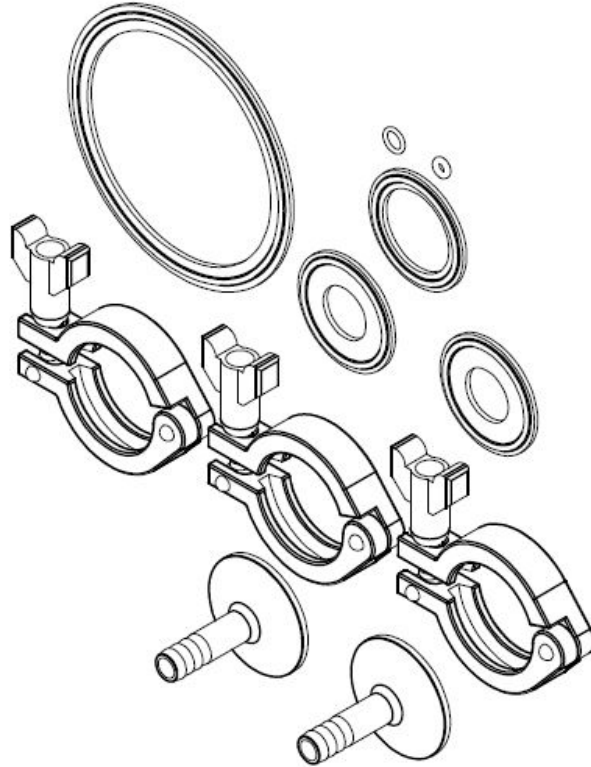


Figure 3: Partial Overhaul Kit Contents

Figure 3 represents the contents in a partial overhaul kit, which includes all seals, along with new 1.5" TC Clamps and new hose barbs. Refer to Table 3 for the corresponding part number depending on which seal material is best suited for your application.

Table 3: Partial Overhaul Kit Part Numbers

PARTIAL OVERHAUL KITS	
PART NUMBER	DESCRIPTION
IFP-091-0006	CLAMP-SEALS, SSSH, SILICONE, KIT
IFP-091-0007	CLAMP-SEALS, SSSH, EPDM, KIT
IFP-091-0008	CLAMP-SEALS, SSSH, BUNA, KIT
IFP-091-0009	CLAMP-SEALS, SSSH, PTFE, KIT
IFP-091-0010	CLAMP-SEALS, SSSH, VITON, KIT

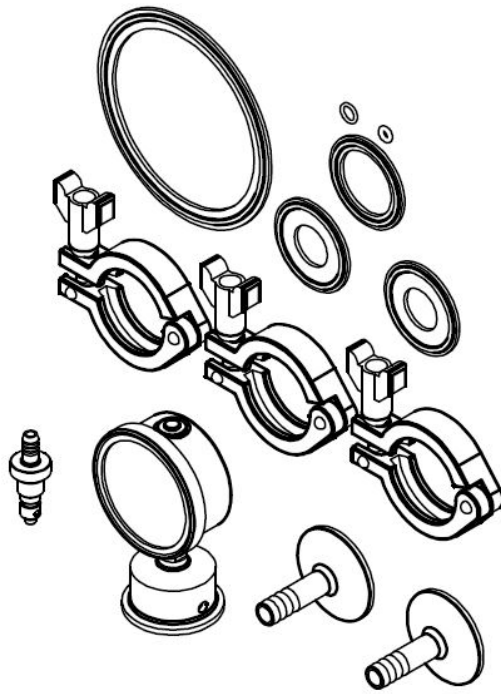


Figure 4: Full Overhaul Kit Option

Figure 4 represents the contents in a full overhaul kit, which includes all seals, along with new 1.5" TC Clamps, new hose barbs, new vent valve, and a new strain gauge. Refer to Table 4 for the corresponding part number depending on which seal material is best suited for your application.

Table 4: Full Overhaul Kit Part Numbers

FULL OVERHAUL KITS	
PART NUMBER	DESCRIPTION
IFP-091-0011	GAUGE-CLAMP-SEALS, SSSH, SILICONE, KIT
IFP-091-0012	GAUGE-CLAMP-SEALS, SSSH, EPDM, KIT
IFP-091-0013	GAUGE-CLAMP-SEALS, SSSH, BUNA, KIT
IFP-091-0014	GAUGE-CLAMP-SEALS, SSSH, PTFE, KIT
IFP-091-0015	GAUGE-CLAMP-SEALS, SSSH, VITON, KIT

All parts outlined in this sheet are available for order at any time. Please call International Filter Products for pricing and availability.

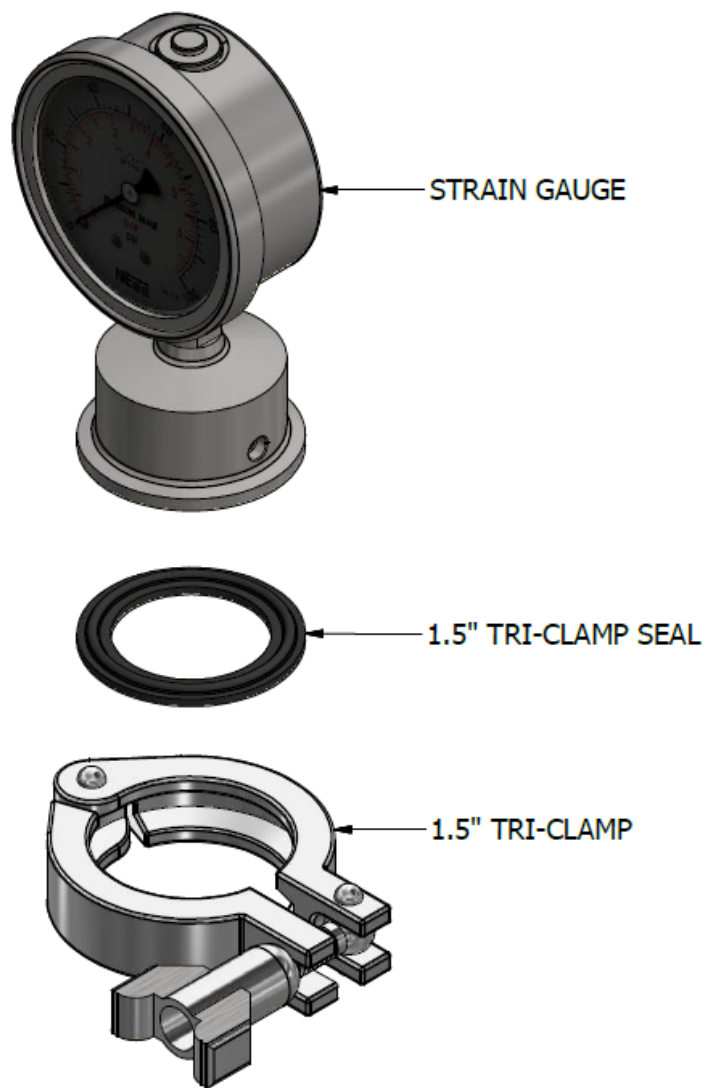


Figure 5: Optional Gauge Kit

Figure 5 represents the contents in an optional gauge kit, which includes gauge with 1.5” tri-clamp seal and 1.5” tri-clamp. Refer to Table 5 for the corresponding part number.

Table 5: Optional Gauge Kit

IFP-091-0016	GAUGE-CLAMP-SEAL, SILICONE, KIT
IFP-091-0017	GAUGE-CLAMP-SEAL, EPDM, KIT
IFP-091-0018	GAUGE-CLAMP-SEAL, BUNA, KIT
IFP-091-0019	GAUGE-CLAMP-SEAL, PTFE, KIT
IFP-091-0020	GAUGE-CLAMP-SEAL, VITON, KIT