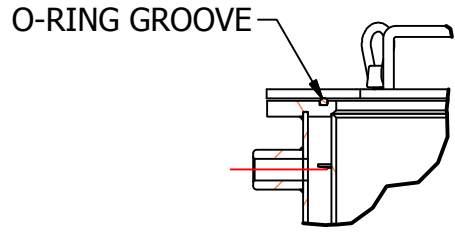
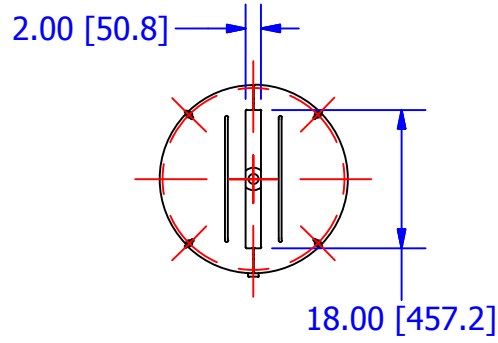
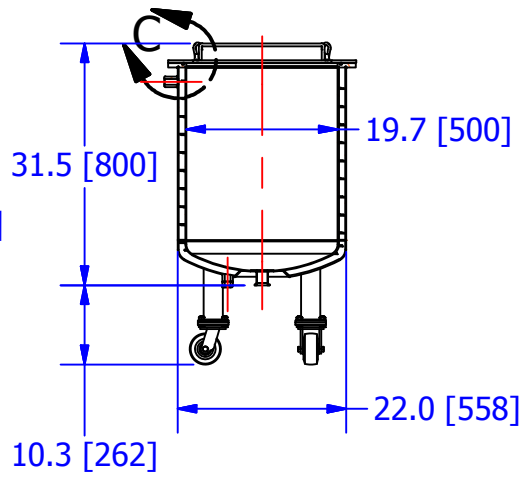
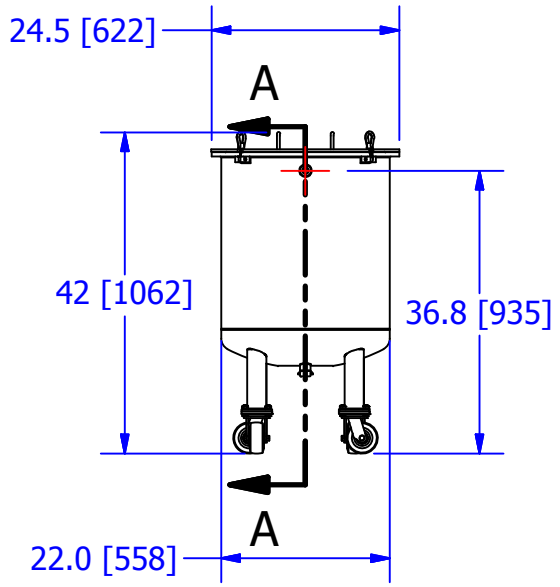


THIS DOCUMENT IS FOR REFERENCE ONLY AND IS PROPRIETARY INFORMATION BELONGING TO INTERNATIONAL FILTER PRODUCTS UNAUTHORIZED COPIES OR USE FOR OTHER PURPOSES STRICTLY PROHIBITED.

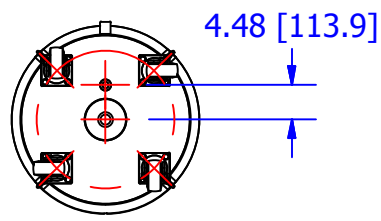
REVISIONS				
ZONE	REV	DESCRIPTION	DATE	APPROVED
	-	Production Release	2/4/2019	CD Morland
	A	Change Tank Height, Drain Size, Notes, and Temp Sensor Port.	5/2/2019	CD Morland
	B	CHANGED TOP FLANGE AND COVER	7/29/2019	CD Morland



DETAIL C  
SCALE 0.15 : 1



SECTION A-A  
SCALE 0.04 : 1



NOTES:

- 1.0 MATERIAL: 316L SS WETTED SURFACES
- 2.0 WORK VOLUME: 100L (26.4 GALLONS)
- 2.0 THE DRAIN PORT: 1.5" TRI-CLAMP
- 3.0 THE PROCESS VESSEL MUST BE JACKETED ON THE OUTSIDE, JACKET MATERIAL: 304 SS
- 4.0 INTERNAL WETTED SURFACES ARE 16 RA FINISH; EXTERNAL EXPOSED SURFACES ARE 25 RA FINISHED.
- 5.0 ALL SURFACES ARE TO BE ELECTRO-POLISHED.
- 6.0 GASKET MATERIAL: SILICONE
- 7.0 THE DESIGN PRESSURE OF THE JACKET IS 100 PSI [6.8 BAR] @ 285°F [126°C]
- 8.0 JACKET HAS BAFFLES TO ENSURE FLUID CIRCULATES EVENLY AROUND THE PROCESS FLUID VESSEL.
- 9.0 THE JACKET FLUID IS REFRIGERATION COOLANT, INLET/OUTLET PORT: 3/4" NPT
- 10.0 FOUR LEGS ARE WELDED FOR SUPPORT.

DRAWN YA Zanki	1/17/2019	<b>International Filter Products</b>		
CHECKED A. Aziz	2/4/2019	11070 Fleetwood St., Unit B Sun Valley, CA 91352	PHONE: 818-504-8115 FAX: 818-841-2947 email: www.internationalfilterproducts.com	
APPROVED CD Morland	2/4/2019	TITLE		
UNLESS OTHERWISE SPECIFIED DIMENSIONS ARE IN INCHES		TANK, ELLIPTICAL, JACKETED, 100L		
DECIMALS	FRACTIONS +/- 1/16	SIZE A	ISOF NO	DWG NO IFP-021-1812
X +/- .030	ANGLES +/- 1/2	SCALE	WEIGHT	REV B
XX +/- .015	SURFACE ROUGHNESS 125	NA	N/A	
XXX +/- .005	CONCENTRICITIES .010 (FIM)	SHEET 1 OF 2		
	INTERNAL RADII .015~.030			
	BREAK CORNERS .005~.015			

THIS DOCUMENT IS FOR REFERENCE ONLY AND IS PROPRIETARY INFORMATION BELONGING TO INTERNATIONAL FILTER PRODUCTS UNAUTHORIZED COPIES OR USE FOR OTHER PURPOSES STRICTLY PROHIBITED.

3/4 NPT JACKET PORT

3/4 NPT JACKET PORT

1.5" TC DRAIN PORT

MIXER SHAFT SLOT

LIFTING HANDLES

SPLIT LID

4X SWING AWAY BOLTS

DRAWN YA Zanki	1/17/2019
CHECKED A. Aziz	2/4/2019
APPROVED CD Morland	2/4/2019

**International Filter Products**  
 11070 Fleetwood St., Unit B  
 Sun Valley, CA 91352  
 PHONE: 818-504-8115  
 FAX: 818-841-2947  
 email: www.internationalfilterproducts.com

UNLESS OTHERWISE SPECIFIED  
 DIMENSIONS ARE IN INCHES  
 DECIMALS FRACTIONS +/- 1/16  
 X +/- .030 ANGLES +/- 1/2  
 XX +/- .015 SURFACE ROUGHNESS 125  
 XXX +/- .005  
 CONCENTRICITIES .010 (FIM)  
 INTERNAL RADII .015~.030  
 BREAK CORNERS .005~.015

TANK, ELLIPTICAL, JACKETED, 100L			
SIZE <b>A</b>	ISOF NO	DWG NO <b>IFP-021-1812</b>	REV <b>B</b>
SCALE NA	WEIGHT N/A	SHEET <b>2</b> OF <b>2</b>	