

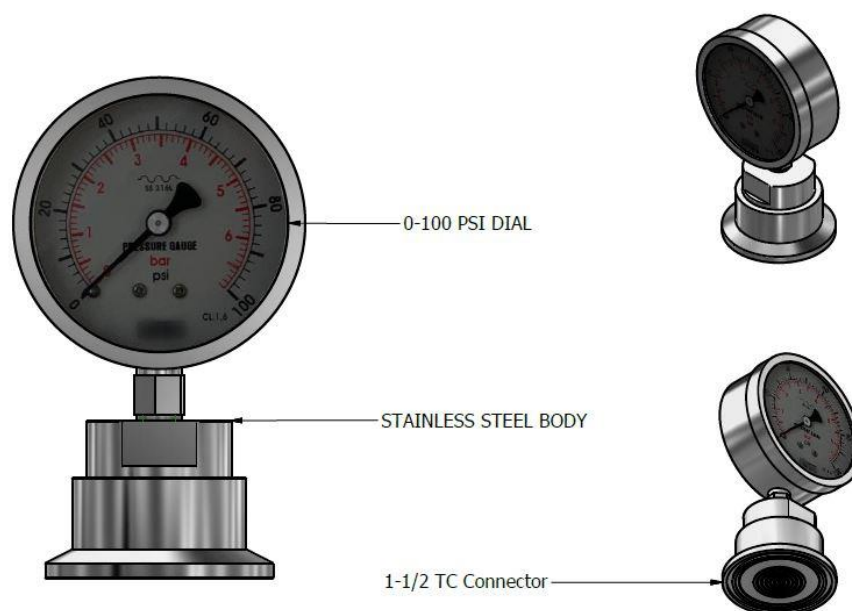


0-100 PSI STRAIN GAUGE

International Filter Products is now offering stainless steel 0-100 psi strain gauge with higher accuracy. The durable construction of the gauge allows better performance and longer lifetime. The strain gauge has built-in enclosure protection and gasket seals which makes it suitable for any industry.



Part Number: IFP-06C-0001



11070 Fleetwood St. Unit B, Sun Valley, CA 91352
www.internationalfilterproducts.com
sales@internationalfilterproducts.com
Phone: (818) 504-8115



International Filter Products

Revolutionary systems for your industry

Measurement:

0-100 psi [0-6 bar]

Accuracy:

± 1.6% of F.S

Construction:

Case & Bezel: AISI 304 SS (Bayonet Type)

Bourdon Tube: AISI 316L SS

Socket: AISI 316L SS

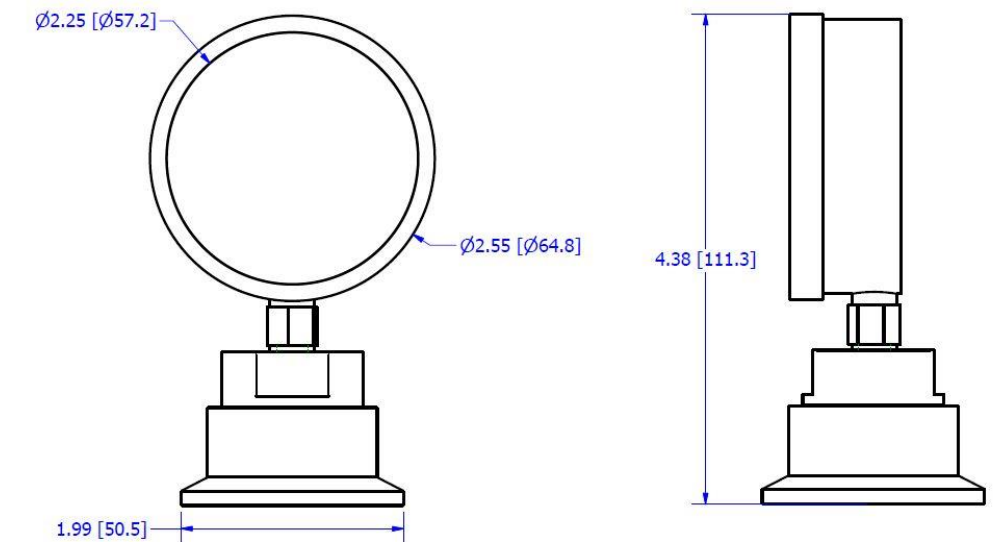
Connection:

1.5 in Tri-Clamp Connector

Size:

Dial Diameter: 2.55 inches [64.8 mm]

Total Length: 4.38 inches [111.3 mm]



Operating Parameters:

Ambient Temperature: -25°C to +65°C

Process Temperature: Max 180°C

Over Pressure Limit: 115% of the Full Scale

Enclosure protection:

Weather Proof IP 66

Filling Fluid:

Food Grade Oil

Filling Plug and Gasket Material:

Neoprene

11070 Fleetwood St. Unit B, Sun Valley, CA 91352

www.internationalfilterproducts.com

sales@internationalfilterproducts.com

Phone: (818) 504-8115