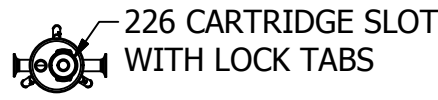


THIS DOCUMENT IS FOR REFERENCE ONLY AND IS PROPRIETARY INFORMATION BELONGING TO INTERNATIONAL FILTER PRODUCTS UNAUTHORIZED COPIES OR USE FOR OTHER PURPOSES STRICTLY PROHIBITED.

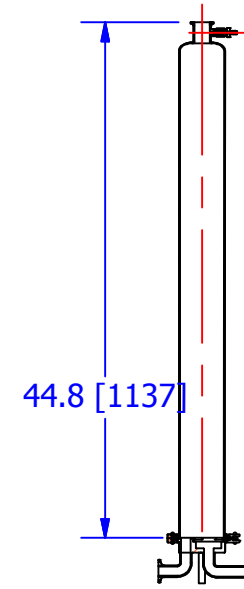
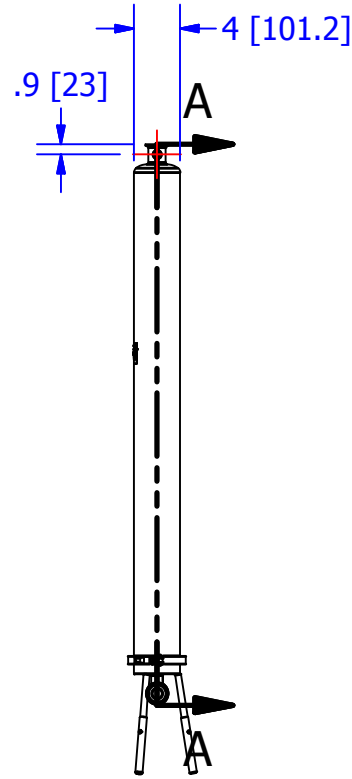
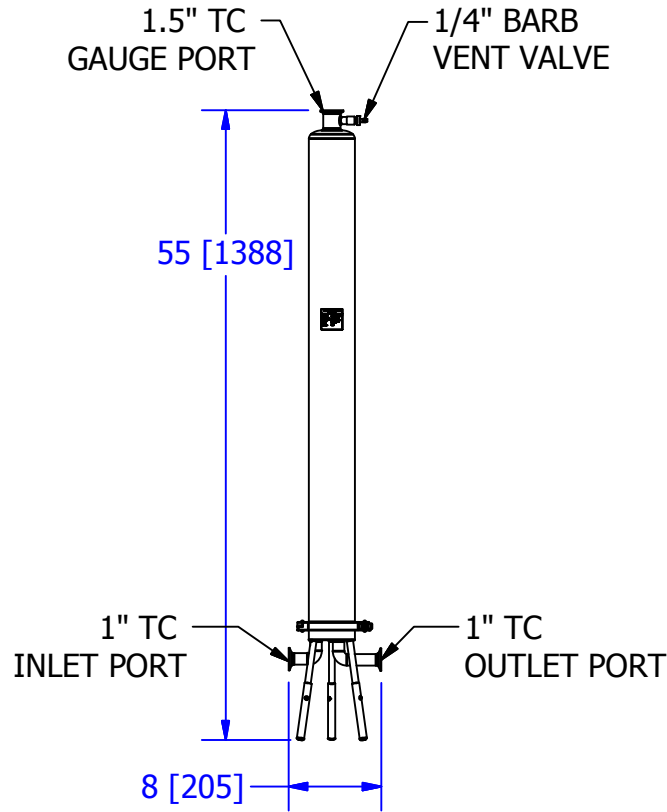
REVISIONS				
ZONE	REV	DESCRIPTION	DATE	APPROVED
	-	Production Release	12/20/2018	YA Zanki

D

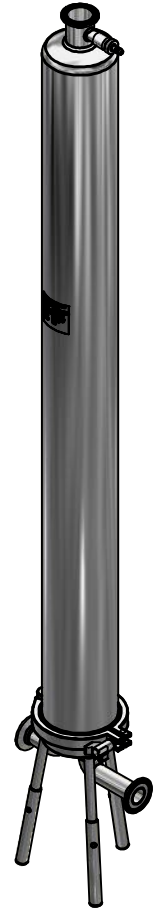
D



INTERNAL VIEW



SECTION A-A



C

C

B

B

NOTES:

- 1.0 DESIGN PRESSURE 125 PSI [8.5 BAR] @ 212 °F [100 °C]
- 2.0 FINISH INTERNAL: 11 RA; EXTERNAL 25 RA
- 3.0 UNIT IS DESIGNED TO ACCEPT FILTER CARTRIDGE:
(1) 2.75 DIA., 40" LONG 226 O-RING FILTER CARTRIDGE W/FIN
- 4.0 FILTER HOUSING IS DESIGNED AND BUILT PER ASME 2010 DIVISION I SECTION VIII
- 5.0 SEAL MATERIAL: SILICONE

A

A

DRAWN YA Zanki 12/4/2018 CHECKED A. AZIZ 12/20/2018 APPROVED CD Morland 12/20/2018	International Filter Products 11070 Fleetwood St., Unit B Sun Valley, CA 91352 PHONE: 818-504-8115 FAX: 818-841-2947 email: www.internationalfilterproducts.com	TITLE HOUSING, 40 INCH, SSSH	
UNLESS OTHERWISE SPECIFIED DIMENSIONS ARE IN INCHES DECIMALS FRACTIONS +/- 1/16 X +/- .030 ANGLES +/- 1/2 XX +/- .015 SURFACE ROUGHNESS 125 XXX +/- .005 CONCENTRICITIES .010 (FIM) INTERNAL RADII .015~.030 BREAK CORNERS .005~.015		SIZE A	ISOF NO DWG NO 01-0210-4-1-226-1 REV -
SCALE	NA	WEIGHT	N/A
SHEET		1 OF 2	

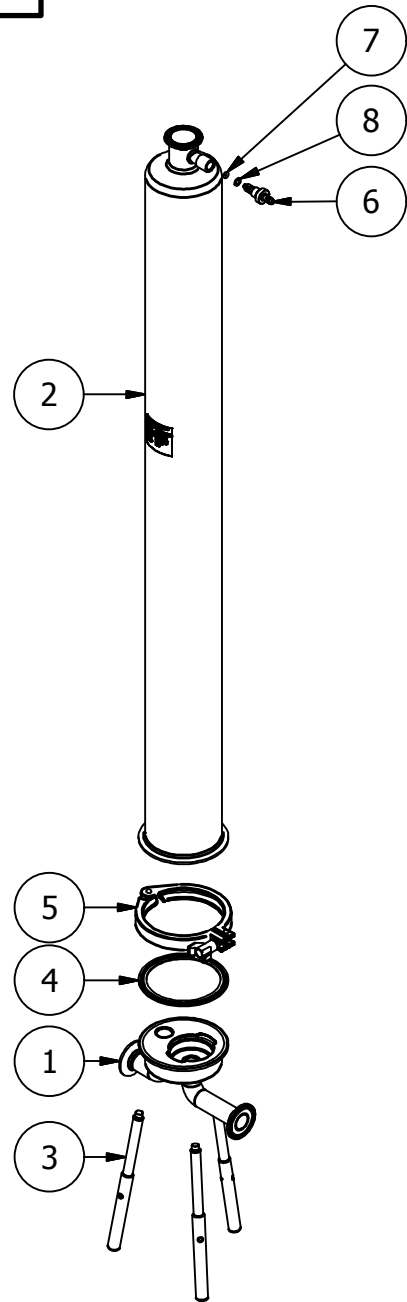
4

3

2

1

THIS DOCUMENT IS FOR REFERENCE ONLY AND IS PROPRIETARY INFORMATION BELONGING TO INTERNATIONAL FILTER PRODUCTS UNAUTHORIZED COPIES OR USE FOR OTHER PURPOSES STRICTLY PROHIBITED.



STANDARD SEAL KITS	
PART NUMBER	DESCRIPTION
IFP-091-0001	SEALS, SSSH, SILICONE, KIT
IFP-091-0002	SEALS, SSSH, EPDM, KIT
IFP-091-0003	SEALS, SSSH, BUNA, KIT
IFP-091-0004	SEALS, SSSH, PTFE, KIT
IFP-091-0005	SEALS, SSSH, VITON, KIT

8	IFP-09T-0002	SEAL, O-RING, 011, SILICONE	1
7	IFP-09T-0001	SEAL, O-RING, 105, SILICONE	1
6	IFP-03D-0001	VALVE, VENT, 0.25 INCH, 316LSS	1
5	IFP-10E-0005	CLAMP, TC, 4.0 INCH	1
4	IFP-09T-0106	SEAL, TC, 4.0 INCH, SILICONE	1
3	IFP-02D-0201	HOUSING, LEG, SSSH, T-TYPE	3
2	IFP-02D-0205	HOUSING, 40L DOME, SSSH, T-TYPE	1
1	IFP-02D-0200	HOUSING, BASE, SSSH, T-TYPE	1
ITEM	PART NUMBER	DESCRIPTION	QTY

BILL OF MATERIALS			
DRAWN YA Zanki	12/4/2018	International Filter Products 11070 Fleetwood St., Unit B PHONE: 818-504-8115 Sun Valley, CA 91352 FAX: 818-841-2947 email: www.internationalfilterproducts.com	
CHECKED A. AZIZ	12/20/2018		
APPROVED CD Morland	12/20/2018		
UNLESS OTHERWISE SPECIFIED DIMENSIONS ARE IN INCHES		TITLE HOUSING, 40 INCH, SSSH	
DECIMALS X +/- .030	FRACTIONS +/- 1/16	SIZE A	ISOF NO
XX +/- .015	ANGLES +/- 1/2	DWG NO 01-0210-4-1-226-1	REV -
XXX +/- .005	SURFACE ROUGHNESS 125	SCALE NA	WEIGHT N/A
CONCENTRICITIES .010 (FIM)		SHEET 2 OF 2	
INTERNAL RADII .015~.030			
BREAK CORNERS .005~.015			