

PRE-FILTRATION CAPSULE FILTER

These filters are designed for function as a pre-filter to protect the final membrane. Polypropylene Media filter capsules are highly retentive, graded porosity, pleated polypropylene media filters that have been specially designed for clarification and prefiltration applications.

Technical Data Sheet

Catalog Number: SKLP050SLFLM-ETO



Materials of Construction

Filter Membrane: 5.0 μm Polypropylene Sterilizing Grade

(Available Micron Rating: 0.3 μm , 0.6 μm , 1.0 μm , 3.0 μm , 5.0 μm , 7.0 μm 10.0 μm)

Supports: Polypropylene

Core: Polypropylene

Capsule Body: Polypropylene

Filter Dimensions and Specifications

Outer Diameter: 71.5 mm (2.81")

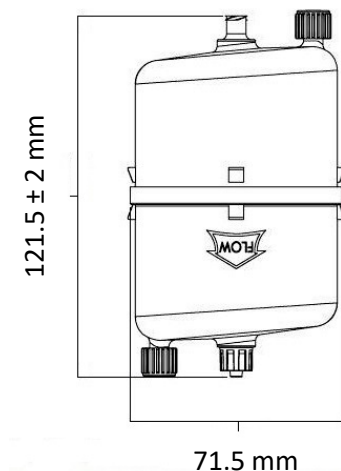
Length, Fitting to Fitting: LFLM: 121mm (4.76")

Filter Area: 1320 cm^2 (204.6 in^2)

Sterilization: The filter is factory sterilized by Ethylene Oxide Gas (ETO)

Inlet Fitting: LF - Luer Loc Female

Outlet Fitting: LM - Luer Lock Male



Operating Parameters

Maximum Working Pressure: 5.5 bar (80 Psi) @ 25 °C (77 °F)

Maximum differential Pressure (forward): 4.1 bar (60 Psi) @ 25 °C (77 °F)

Maximum differential Pressure (reverse): 2.1 bar (30 Psi) @ 25 °C (77 °F)

Maximum Operating Temperature: 80 °C (176 °F)

Recommended Replacement Pressure: 2.4 bar (35.3 Psi)

Safety

- Factory Sterilized: Ethylene Oxide Gas (ETO)
- Product was 100% Integrity Tested and flushed with filtered water @ 0.05 um
- No animal-derived material is intentionally added or used during the manufacture of this product

Regulatory

- ❖ The filters are constructed with polypropylene resins and filtration media in compliance with 21CFR Part 177 of the US Code of Federal Regulations and USP Class VI Biological Test for Plastics.
- ❖ The product is safe for Human and Veterinarian use. CGMP CFR part 210 & 211, additional requirement of 21 CFR part 600 and 21 CFR part 680 are applicable to the aseptic manufacturing process.