



## STERILE CAPSULE FILTER

These filters are designed for applications where sterility of the affluent is mandatory (Sterile Compounding and Pharmaceutical use). The product contains a pharmaceutical grade PES membrane (Sterilizing Grade) and the filters are built in a 10,000-class clean room, flushed, dried and 100% integrity tested prior to packaging. The product is factory sterilized by Ethylene Oxide gas (ETO) ensuring sterility.

## Technical Data Sheet

**Catalog Number:** MKPDS065S020LFLM-ETO



### **Materials of Construction**

**Filter Membrane:** 0.65 um Pre-filter /0.2 um Final Pharmaceutical Grade PES Sterilizing Grade - Hydrophilic

**Supports:** Polypropylene

**Core:** Polypropylene

**Capsule Body:** Polypropylene

### **Filter Dimensions and Specifications**

**Outer Diameter:** 59 mm (2.32")

**Length, Fitting to Fitting:** 92 mm (3.62")

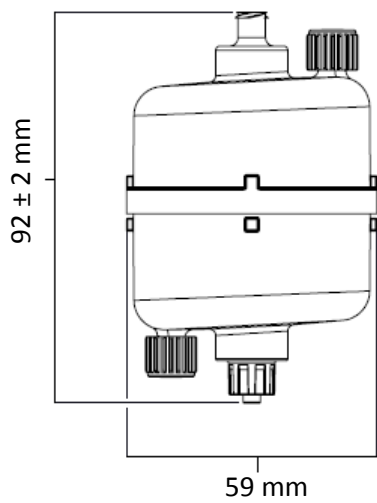
**Filter Area:** 480 cm<sup>2</sup> (74.4 in<sup>2</sup>)

**Sterilization:** The filter is factory sterilized by Ethylene Oxide Gas (ETO)

**Inlet Fitting:** Luer Loc Female

**Outlet Fitting:** Luer Loc Male

**Volume Filtered:** 11.2 L to 21.0 L



**Integrity Data**

Pore Size	Min, Bubble Point, 25°C	Challenge Microorganisms	CFU per cm <sup>2</sup>
0.20 µm	≥3.5 bar (50 psi)	Brevundimonas Diminuta (ATCC 19146)	7

**Operating Parameters**

- Maximum Working Pressure: 5.5 bar (80 Psi) @ 25 °C (77 °F)
- Maximum differential Pressure (forward): 4.1 bar (60 Psi) @ 25 °C (77 °F)
- Maximum differential Pressure (reverse): 2.1 bar (30 Psi) @ 25 °C (77 °F)
- Maximum Operating Temperature: 80 °C (176 °F)
- Recommended Replacement Pressure: 2.4 bar (35.3 Psi)

**Safety**

- UPS Bacteria Endotoxins: ≤25 EU/ml
- Factory Sterilized: Ethylene Oxide Gas (ETO)
- Product was 100% Integrity Tested and flushed with filtered water @ 0.05 µm

**Regulatory**

- Complies with USP 797 Guidelines
- ASTM F838-05 - Bacterial Retention
- FDA 21 CFR 177.1655
- USP Class VI - Biological Reactivity
- ISO 10993-Part 1. 5 - Cytotoxicity
- ISO 14001; ISO 13485; OHSMS 18001 Certified.
- ASTM Hemolysis testing



www.internationalfilterproducts.com  
 11070 Fleetwood St. Unit B  
 Sun Valley, CA 91352  
 Tel: (818) 504-8115 - Office  
 Tel: (818) 917-9538 - Cell  
 E-mail: sales@internationalfilterproducts.com

