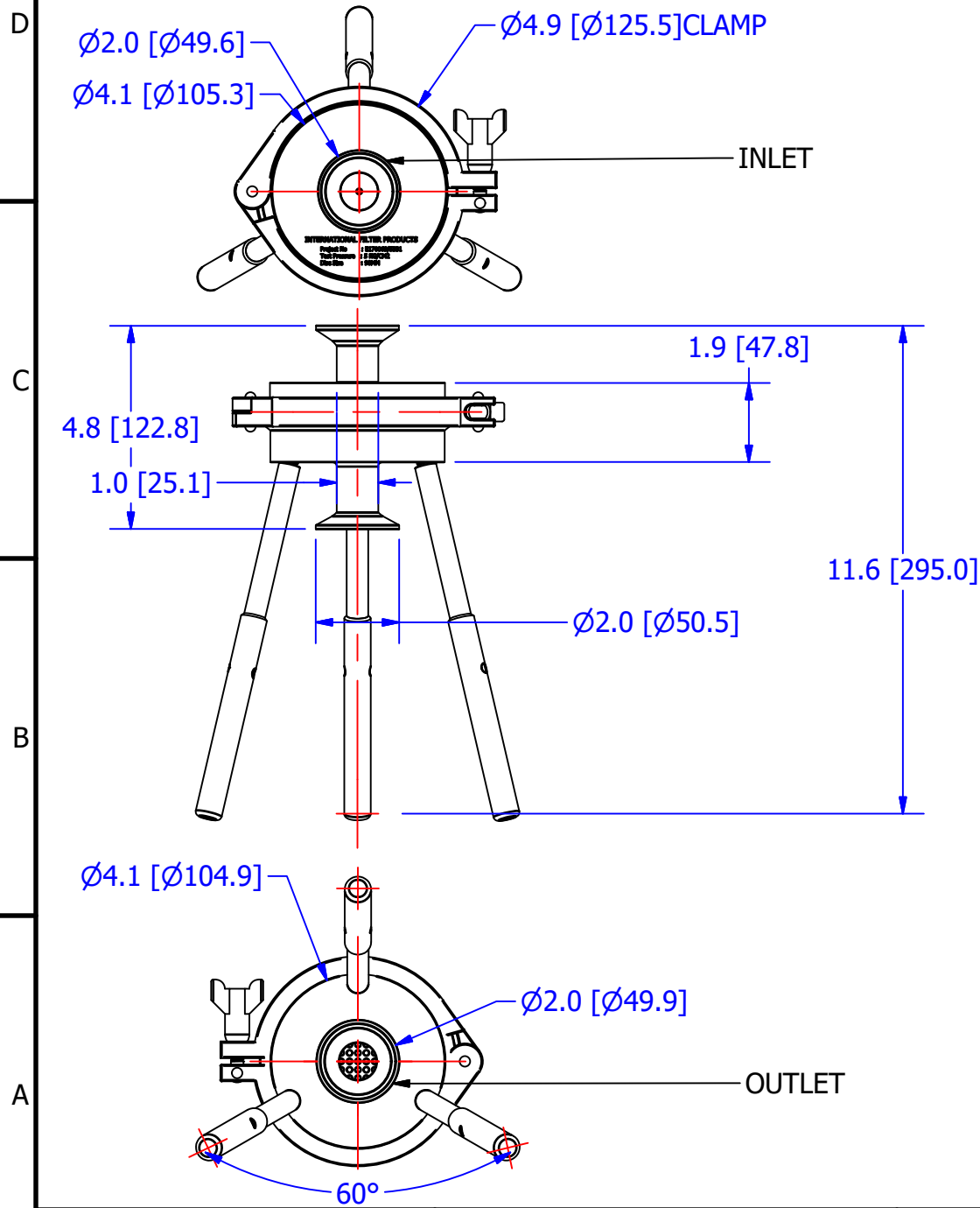


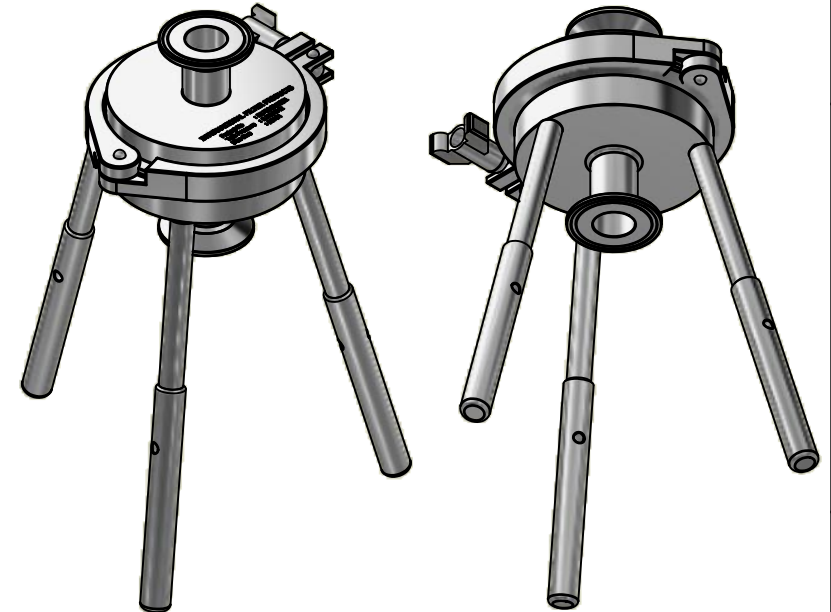
THIS DOCUMENT IS FOR REFERENCE ONLY AND IS PROPRIETARY INFORMATION BELONGING TO INTERNATIONAL FILTER PRODUCTS UNAUTHORIZED COPIES OR USE FOR OTHER PURPOSES STRICTLY PROHIBITED.

REVISIONS				
ZONE	REV	DESCRIPTION	DATE	APPROVED
	-	SALES DRAWING	9/26/2019	CD MORLAND



NOTES:

- 1.0 ALL WETTED SURFACES ARE: 316 L
- 2.0 INTERNAL SURFACE FINISH IS 20 RA;
EXTERNAL 25 RA
- 3.0 FILTER DISC HOLDER DESIGNED FOR 71.1 PSI [4.9 BAR] @ 212 °F [100 °C].
- 4.0 FILTER DISC USED: 90 MM
FILTER MEDIA SHEET: MEMBRANES & PP FIBROUS
- 5.0 FILTER AREA: 9.8 IN²; [63.22 CM²]
- 6.0 INLET AND OUTLET PORTS: 1/2" HOSE BARB
- 7.0 DOME SEAL MATERIAL: EDPM
- 8.0 HOUSING IS DESIGNED TO BE STEAM STERILIZED @ at 259 °F [126 °C] FOR 60 MIN.



DRAWN ONYX S A CHECKED YA ZANKI APPROVED CD MORLAND	11/16/2018 9/3/2019 9/26/2019	International Filter Products 11070 Fleetwood St., Unit B Sun Valley, CA 91352 PHONE: 818-504-8115 FAX: 818-841-2947 email: www.internationalfilterproducts.com	TITLE DISC HOLDER, 90MM, 316L SS
UNLESS OTHERWISE SPECIFIED DIMENSIONS ARE IN INCHES DECIMALS FRACTIONS +/- 1/16 X +/- .030 ANGLES +/- 1/2 XX +/- .015 SURFACE ROUGHNESS 125 XXX +/- .005		SIZE A	ISOF NO DWG NO IFP-141-1090
CONCENTRICITIES .010 (FIM) INTERNAL RADII .015~.030 BREAK CORNERS .005~.015		SCALE NA	WEIGHT N/A
		SHEET 1 OF 3	REV -

4

3

2

1

THIS DOCUMENT IS FOR REFERENCE ONLY AND IS PROPRIETARY INFORMATION BELONGING TO INTERNATIONAL FILTER PRODUCTS UNAUTHORIZED COPIES OR USE FOR OTHER PURPOSES STRICTLY PROHIBITED.

REVISIONS				
ZONE	REV	DESCRIPTION	DATE	APPROVED
	-	SALES DRAWING	9/26/2019	CD MORLAND

D

D

C

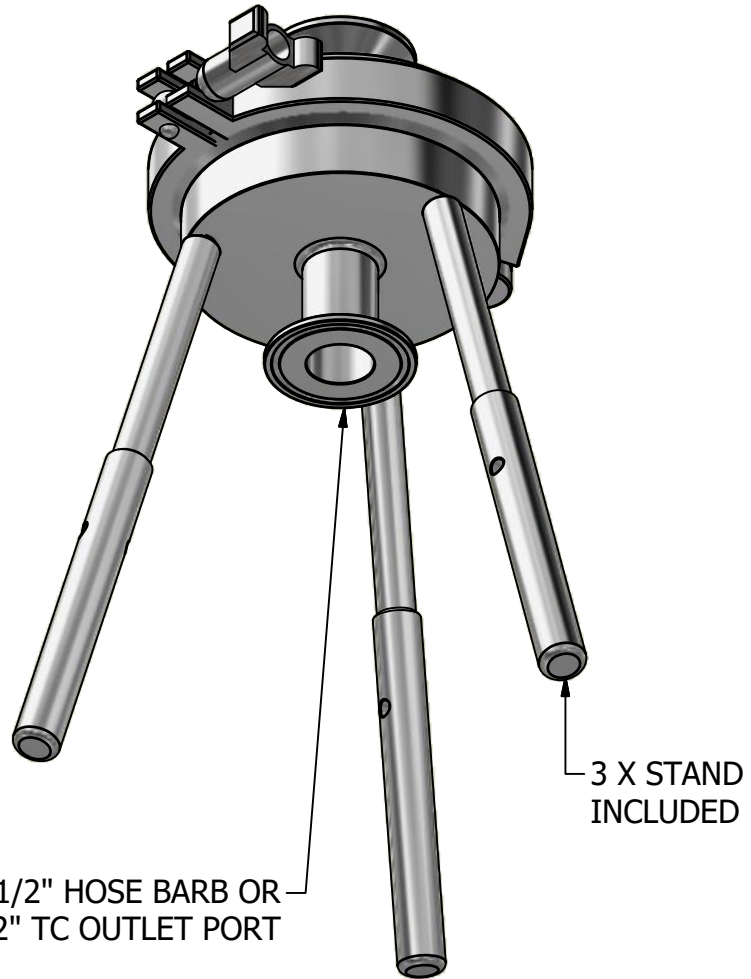
C

B

B

A

A



DRAWN ONYX S A	11/16/2018
CHECKED YA ZANKI	9/3/2019
APPROVED CD MORLAND	9/26/2019

International Filter Products
 11070 Fleetwood St., Unit B PHONE: 818-504-8115
 Sun Valley, CA 91352 FAX: 818-841-2947
 email: www.internationalfilterproducts.com

UNLESS OTHERWISE SPECIFIED
 DIMENSIONS ARE IN INCHES

DECIMALS	FRACTIONS +/- 1/16
X +/- .030	ANGLES +/- 1/2
XX +/- .015	SURFACE ROUGHNESS 125
XXX +/- .005	

CONCENTRICITIES .010 (FIM)
 INTERNAL RADII .015~.030
 BREAK CORNERS .005~.015

TITLE DISC HOLDER, 90MM, 316L SS			
SIZE A	ISOF NO	DWG NO IFP-141-1090	REV -
SCALE NA	WEIGHT N/A	SHEET 2 OF 3	

4

3

2

1