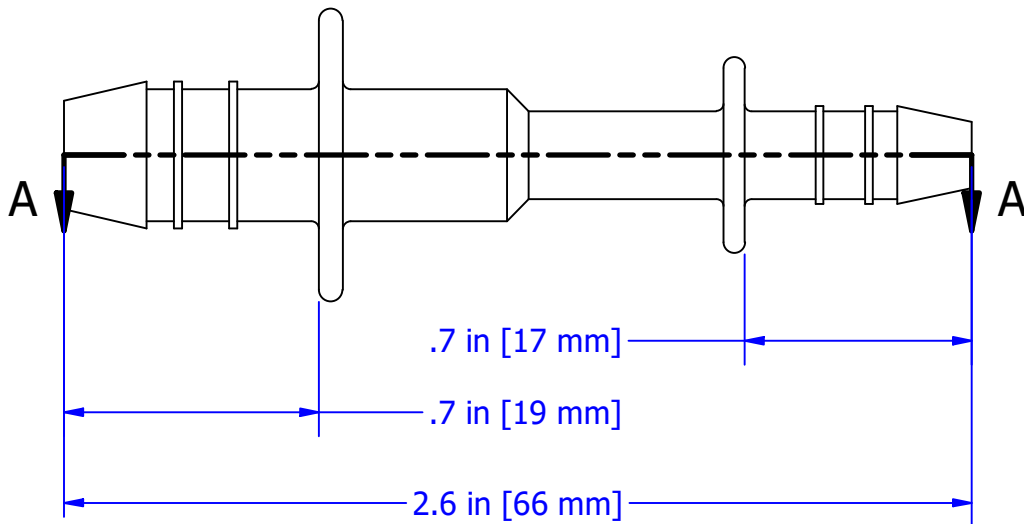
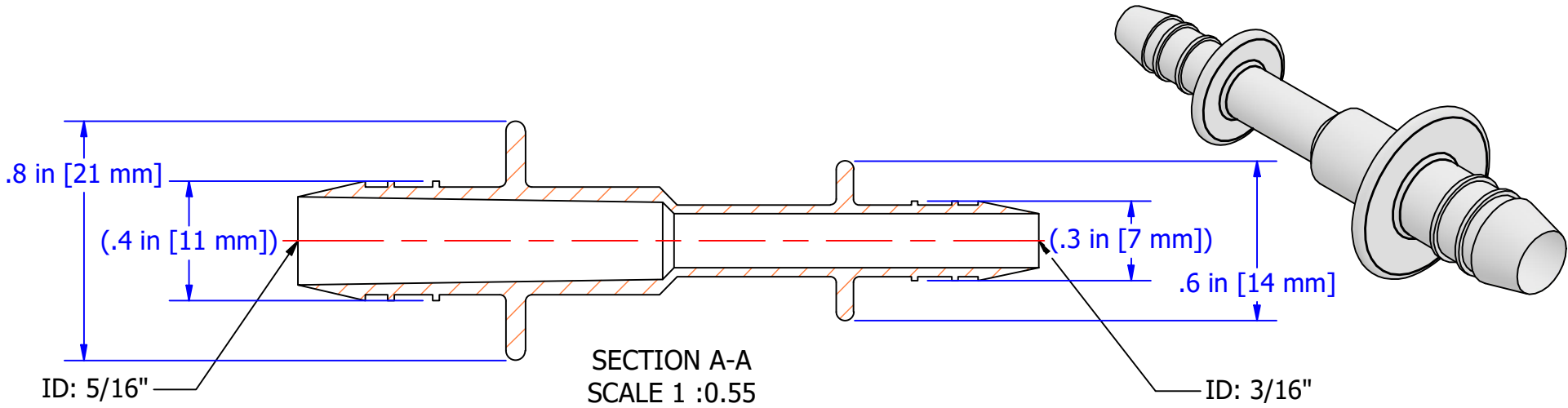


THIS DOCUMENT IS FOR REFERENCE ONLY AND IS PROPRIETARY INFORMATION BELONGING TO INTERNATIONAL FILTER PRODUCTS. UNAUTHORIZED COPIES OR USE FOR OTHER PURPOSES STRICTLY PROHIBITED.

REVISIONS				
ZONE	REV	DESCRIPTION	DATE	APPROVED
	-	SALES DRAWING	10/28/2022	YA ZANKI



NOTE:

- 1.0 Material: Polypropylene
- 2.0 Can be Sterilized by Gamma Radiation
- 3.0 Max. Working Pressure @ 200 °F (93.3 °C): 100 PSI
- 4.0 Max. Working Pressure @ 72 °F (22.2 °C): 250 PSI
- 5.0 Max. Working Temperature: 200 °F (93.3 °C)
- 6.0 Manufactured and Packaged in a Certified Clean Room
- 7.0 Regulatory Information is Found in Catalog

DRAWN NV GABRIEL	10/7/2022
CHECKED YA ZANKI	10/28/2022
APPROVED YA ZANKI	10/28/2022

International Filter Products
 7914 AJAY DRIVE
 SUN VALLEY, CA 91352
 PHONE: 818-504-8115
 FAX: 818-841-2947
 email: charlie@internationalfilterproducts.com

UNLESS OTHERWISE SPECIFIED
 DIMENSIONS ARE IN INCHES

DECIMALS	FRACTIONS +/- 1/16
X +/- .030	ANGLES +/- 1/2
XX +/- .015	SURFACE ROUGHNESS 125
XXX +/- .005	

CONCENTRICITIES .010 (FIM)
 INTERNAL RADII .015~.030
 BREAK CORNERS .005~.015

TITLE FITTING, REDUCER 2 WAY, ID 0.1875 in x 0.3125 in, PP			
SIZE A	ISOF NO	DWG NO PFR187X312PPAF	REV -
SCALE NA	WEIGHT	SHEET 1	OF 1