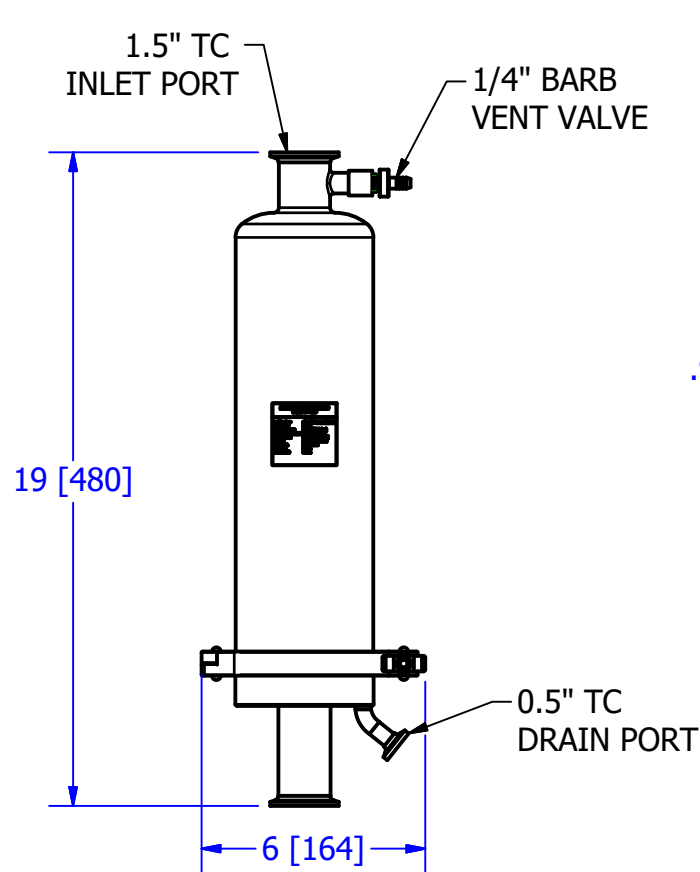
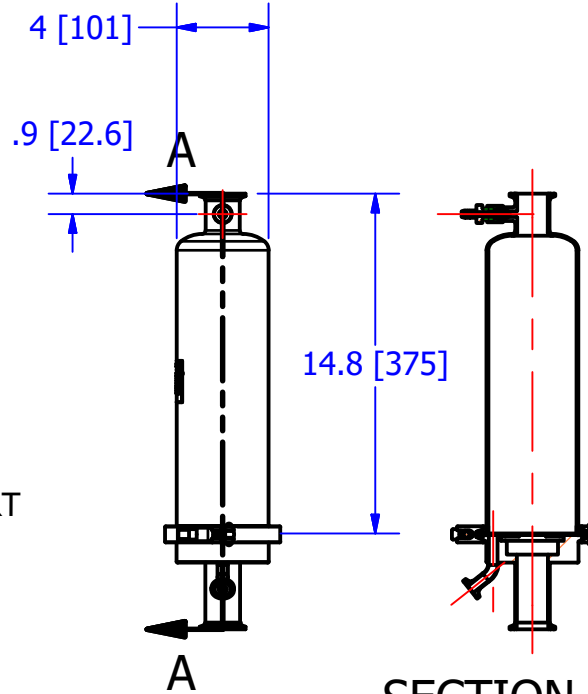
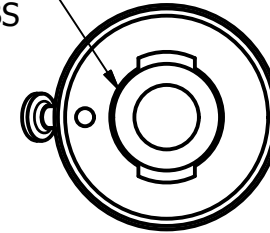


THIS DOCUMENT IS FOR REFERENCE ONLY AND IS PROPRIETARY INFORMATION BELONGING TO INTERNATIONAL FILTER PRODUCTS UNAUTHORIZED COPIES OR USE FOR OTHER PURPOSES STRICTLY PROHIBITED.

REVISIONS				
ZONE	REV	DESCRIPTION	DATE	APPROVED
	-	PRODUCTION RELEASE	7/16/2019	YA ZANKI



226 CARTRIDGE SLOT WITH LOCK TABS



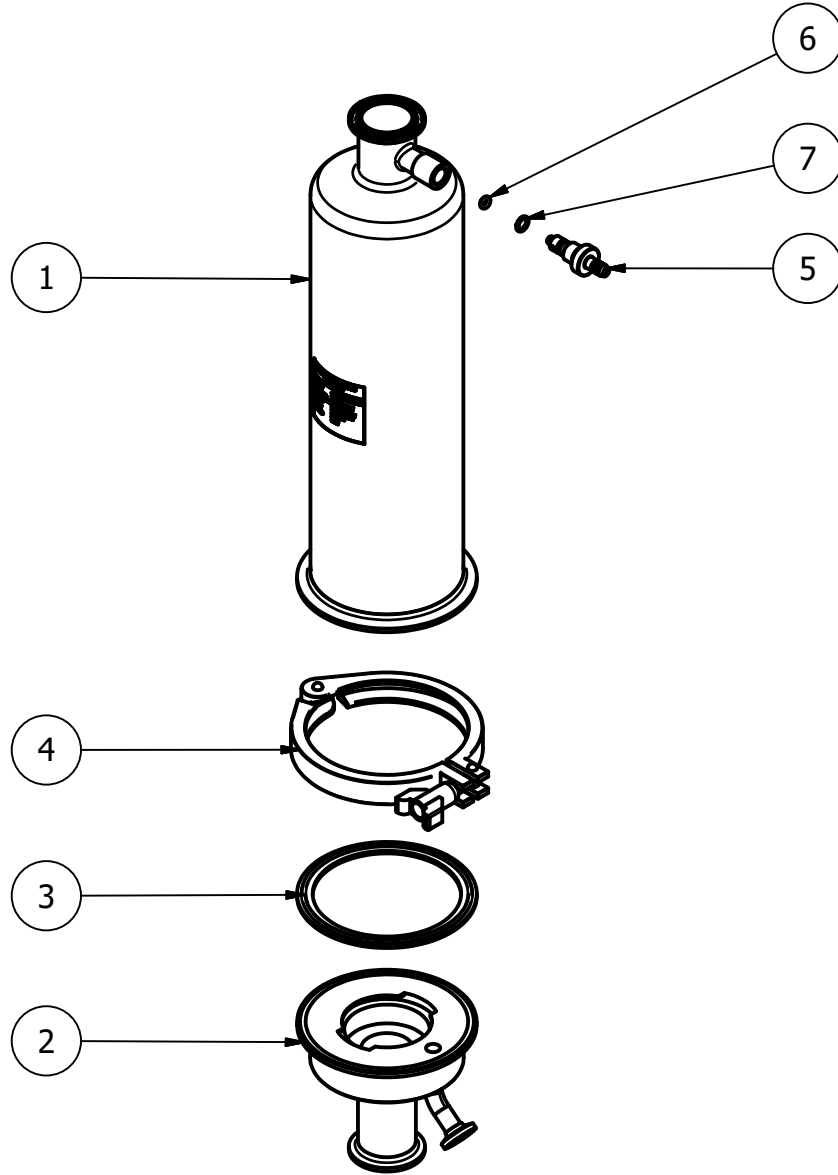
NOTES:

- 1.0 DESIGN PRESSURE 125 PSI [8.5 BAR] @ 212 °F [100 °C]
- 2.0 FINISH INTERNAL: 11 RA; EXTERNAL 25 RA
- 3.0 UNIT IS DESIGNED TO ACCEPT FILTER CARTRIDGE:
 - (1) 2.75 DIA., 10" LONG 226 O-RING FILTER CARTRIDGE W/FIN
- 4.0 FILTER HOUSING IS DESIGNED AND BUILT PER ASME 2010 DIVISION I SECTION VIII
- 5.0 SEAL MATERIAL: SILICONE

SECTION A-A
SCALE 0.12 : 1

DRAWN ONYX A	8/18/2020	International Filter Products		
CHECKED YA ZANKI	8/18/2020	11070 Fleetwood St., Unit B Sun Valley, CA 91352	PHONE: 818-504-8115 FAX: 818-941-2947 email: www.internationalfilterproducts.com	
APPROVED YA ZANKI	8/18/2020	TITLE HOUSING, 10 INCH, SSSH IN-LINE		
UNLESS OTHERWISE SPECIFIED DIMENSIONS ARE IN INCHES		SIZE A	ISOF NO	DWG NO 01-0212-1-2-226-2
DECIMALS X +/- .030	FRACTIONS +/- 1/16	SCALE	WEIGHT	REV -
ANGLES +/- 1/2	SURFACE ROUGHNESS 125	NA	N/A	SHEET 1 OF 2
INTERNAL RADII .015~.030	BREAK CORNERS .005~.015			

THIS DOCUMENT IS FOR REFERENCE ONLY AND IS PROPRIETARY INFORMATION BELONGING TO INTERNATIONAL FILTER PRODUCTS UNAUTHORIZED COPIES OR USE FOR OTHER PURPOSES STRICTLY PROHIBITED.



STANDARD SEAL KITS	
PART NUMBER	DESCRIPTION
IFP-091-0001	SEALS, SSSH, SILICONE, KIT
IFP-091-0002	SEALS, SSSH, EPDM, KIT
IFP-091-0003	SEALS, SSSH, BUNA, KIT
IFP-091-0004	SEALS, SSSH, PTFE, KIT
IFP-091-0005	SEALS, SSSH, VITON, KIT

7	1	IFP-09T-0002	SEAL, O-RING, 011, SILICONE
6	1	IFP-09T-0001	SEAL, O-RING, 105, SILICONE
5	1	IFP-03D-0001	VALVE, VENT, 0.25 INCH, 316LSS
4	1	IFP-10E-0005	CLAMP, TC, 4.0 INCH
3	1	IFP-09T-0106	SEAL, TC, 4.0 INCH, SILICONE
2	1	IFP-02D-0206	HOUSING, BASE, SSSH, IN-LINE
1	1	IFP-02D-0202	HOUSING, DOME, SSSH, IN-LINE
ITEM	QTY	PART NUMBER	DESCRIPTION

BILL OF MATERIALS			
DRAWN ONYX A	8/18/2020	International Filter Products 11070 Fleetwood St., Unit B PHONE: 818-504-8115 Sun Valley, CA 91352 FAX: 818-841-2947 email: www.internationalfilterproducts.com	
CHECKED YA ZANKI	8/18/2020		
APPROVED YA ZANKI	8/18/2020		
UNLESS OTHERWISE SPECIFIED DIMENSIONS ARE IN INCHES DECIMALS FRACTIONS +/- 1/16 X +/- .030 ANGLES +/- 1/2 XX +/- .015 SURFACE ROUGHNESS 125 XXX +/- .005 CONCENTRICITIES .010 (FIM) INTERNAL RADII .015~.030 BREAK CORNERS .005~.015		TITLE	
		HOUSING, 10 INCH, SSSH IN-LINE	
SIZE A	ISOF NO	DWG NO	REV
SCALE	WEIGHT		
NA	N/A	01-0212-1-2-226-2	-
		SHEET	2 OF 2