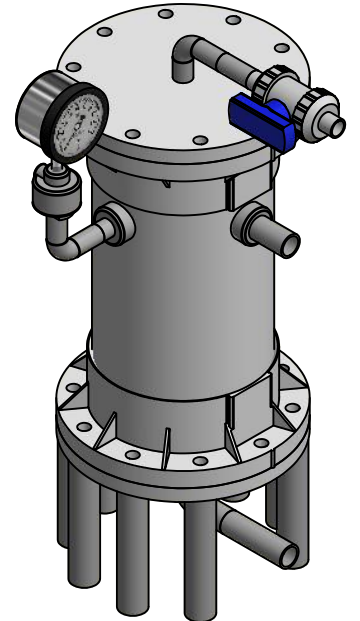
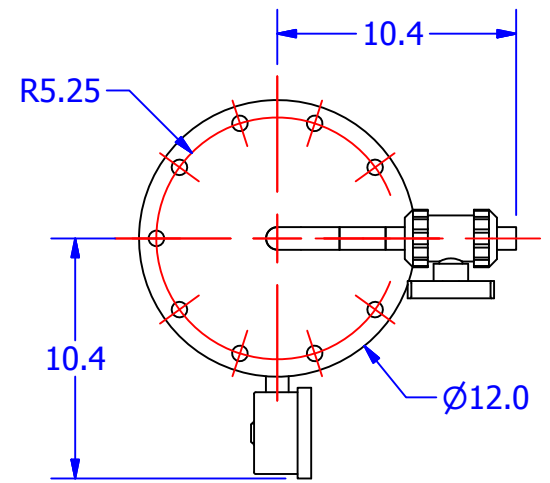
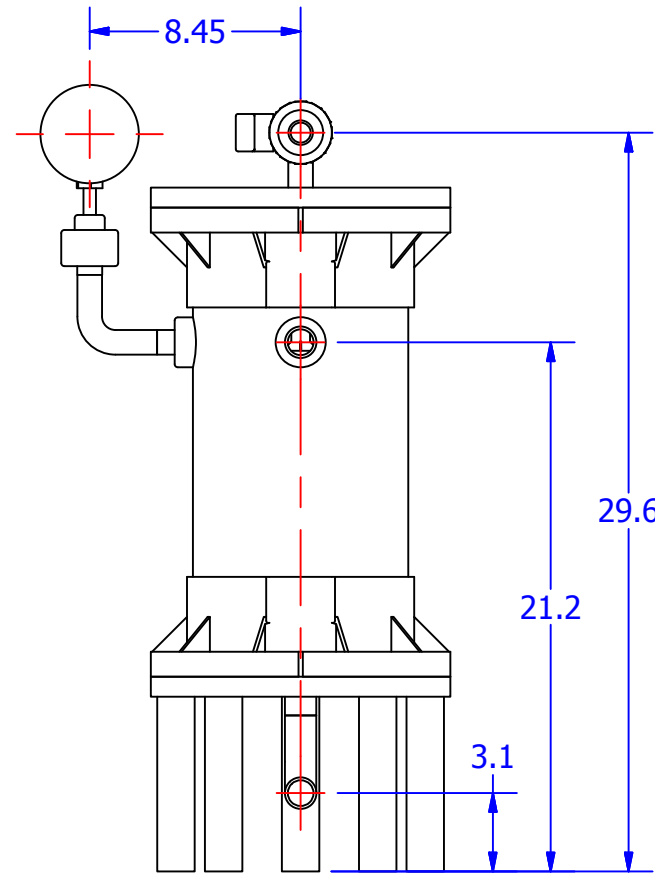
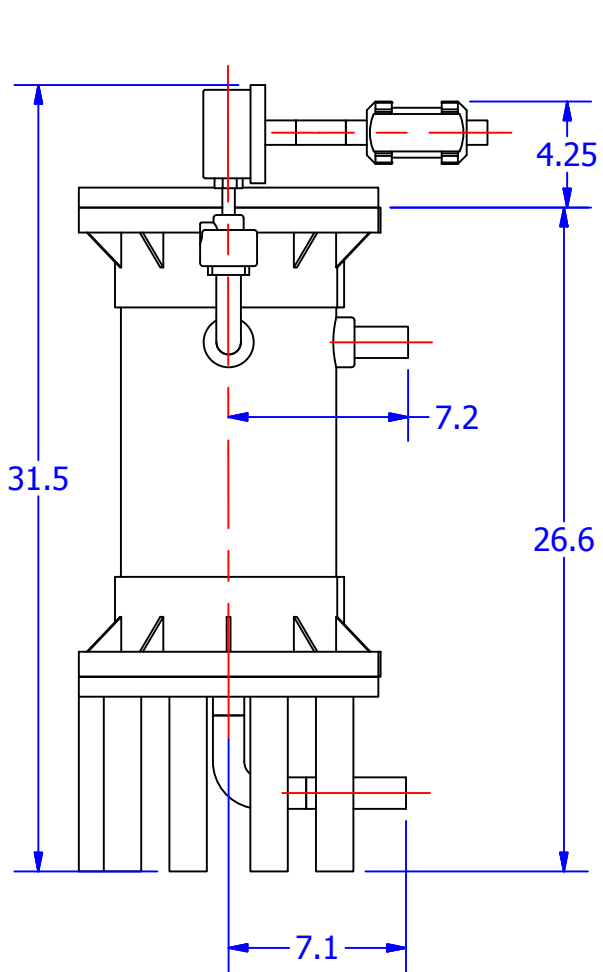


THIS DOCUMENT IS FOR REFERENCE ONLY AND IS PROPRIETARY INFORMATION BELONGING TO INTERNATIONAL FILTER PRODUCTS UNAUTHORIZED COPIES OR USE FOR OTHER PURPOSES STRICTLY PROHIBITED.

REVISIONS				
ZONE	REV	DESCRIPTION	DATE	APPROVED
	1	Production Release	3/4/2014	CD Morland

D  
C  
B  
A



NOTES;

- 1.0 All wetted surfaces are PVDF.
- 2.0 Design Pressure is 40 PSI @ 70 F.
- 3.0 Inlet and Outlet are 32mm
- 4.0 Vent Valve: 25mm Ball Valve with EPDM seals.
- 5.0 Bolting Hardware: 1/2"-13 UNC bolts, 316L
- 6.0 Filters: Contains four (4) filters, SOE style flat end cap, 10" long, 2.75" dia

DRAWN YA Zanki	3/4/2014
CHECKED CD Morland	3/4/2014
APPROVED CD Morland	3/4/2014
UNLESS OTHERWISE SPECIFIED DIMENSIONS ARE IN INCHES	
DECIMALS X +/- .030	FRACTIONS +/- 1/16
XX +/- .015	ANGLES +/- 1/2
XXX +/- .005	SURFACE ROUGHNESS 125
CONCENTRICITIES .010 (FIM)	
INTERNAL RADII .015~.030	
BREAK CORNERS .005~.015	

<b>International Filter Products</b>			
7914 Ajay Dr.		Phone: 818-504-8115	
Sun Valley, CA 91352		Web: www.internationalfilterproducts.com	
		E-mail: sales@stcglobal.net	
TITLE <b>Filter Housing - 10" Long</b>			
SIZE <b>A</b>	ISOF NO	DWG NO <b>01-1500</b>	REV <b>1</b>
SCALE NA	WEIGHT	SHEET <b>1</b> OF <b>1</b>	

4 3 2 1