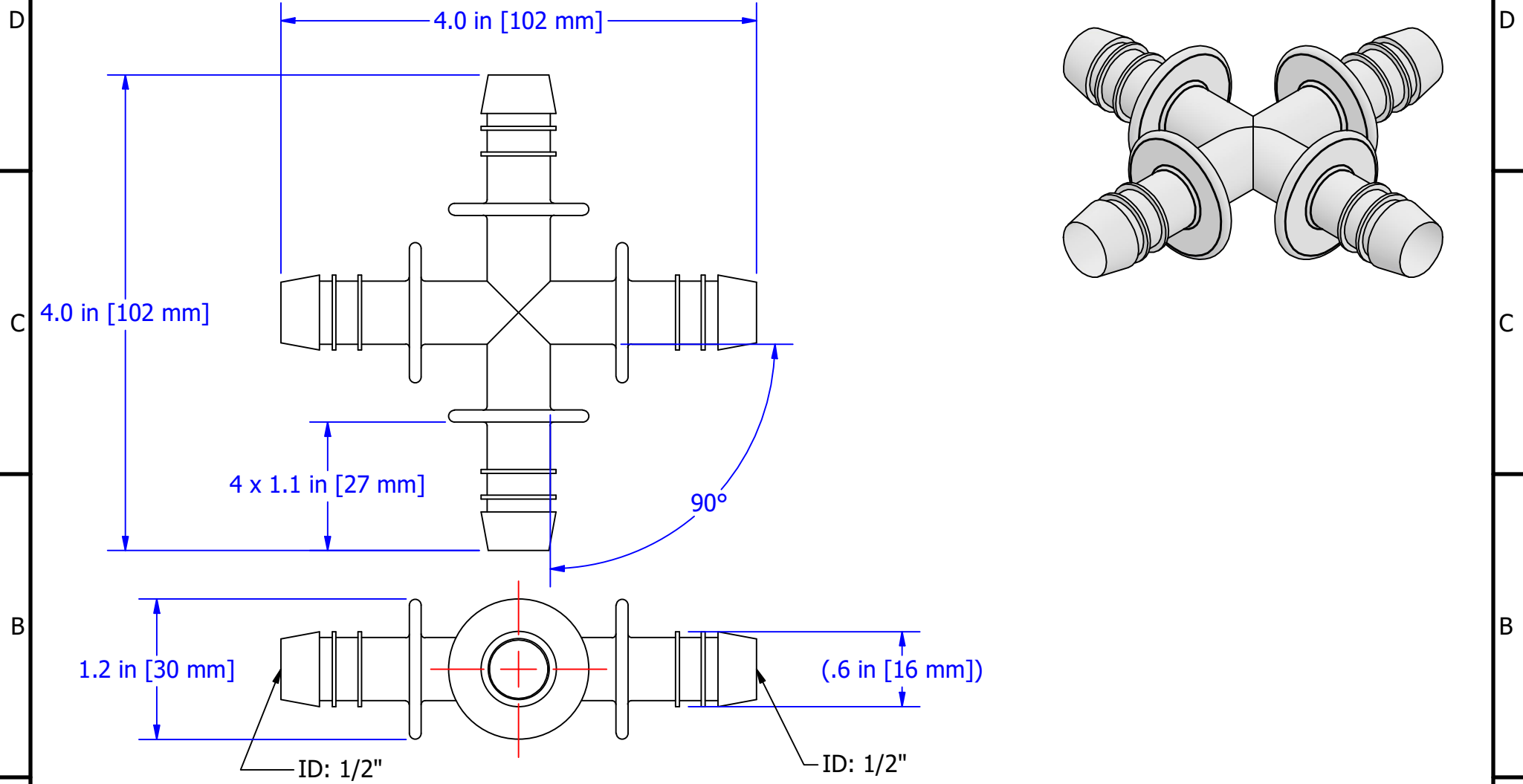


THIS DOCUMENT IS FOR REFERENCE ONLY AND IS PROPRIETARY INFORMATION BELONGING TO INTERNATIONAL FILTER PRODUCTS UNAUTHORIZED COPIES OR USE FOR OTHER PURPOSES STRICTLY PROHIBITED.

REVISIONS				
ZONE	REV	DESCRIPTION	DATE	APPROVED
	-	SALES DRAWING	10/28/2022	YA ZANKI



- NOTE:**
- 1.0 Material: Polypropylene
  - 2.0 Can be Sterilized by Gamma Radiation
  - 3.0 Max. Working Pressure @ 200 °F (93.3 °C): 100 PSI
  - 4.0 Max. Working Pressure @ 72 °F (22.2 °C): 250 PSI
  - 5.0 Max. Working Temperature: 200 °F (93.3 °C)
  - 6.0 Manufactured and Packaged in a Certified Clean Room
  - 7.0 Regulatory Information is Found in Catalog

DRAWN NV GABRIEL		10/7/2022		<b>International Filter Products</b> 7914 AJAY DRIVE      PHONE: 818-504-8115 SUN VALLEY, CA 91352      FAX: 818-841-2947 email: charlie@internationalfilterproducts.com	
CHECKED YA ZANKI		10/28/2022			
APPROVED YA ZANKI		10/28/2022			
UNLESS OTHERWISE SPECIFIED DIMENSIONS ARE IN INCHES				TITLE	
DECIMALS      FRACTIONS +/- 1/16 X +/- .030      ANGLES +/- 1/2 XX +/- .015      SURFACE ROUGHNESS 125 XXX +/- .005				<b>FITTING CROSS, 4 WAY, 0.50 in ID, PP</b>	
SIZE	ISOF NO	DWG NO	REV		
A		PFX500PPAF	-		
SCALE	NA	WEIGHT	SHEET 1 OF 1		