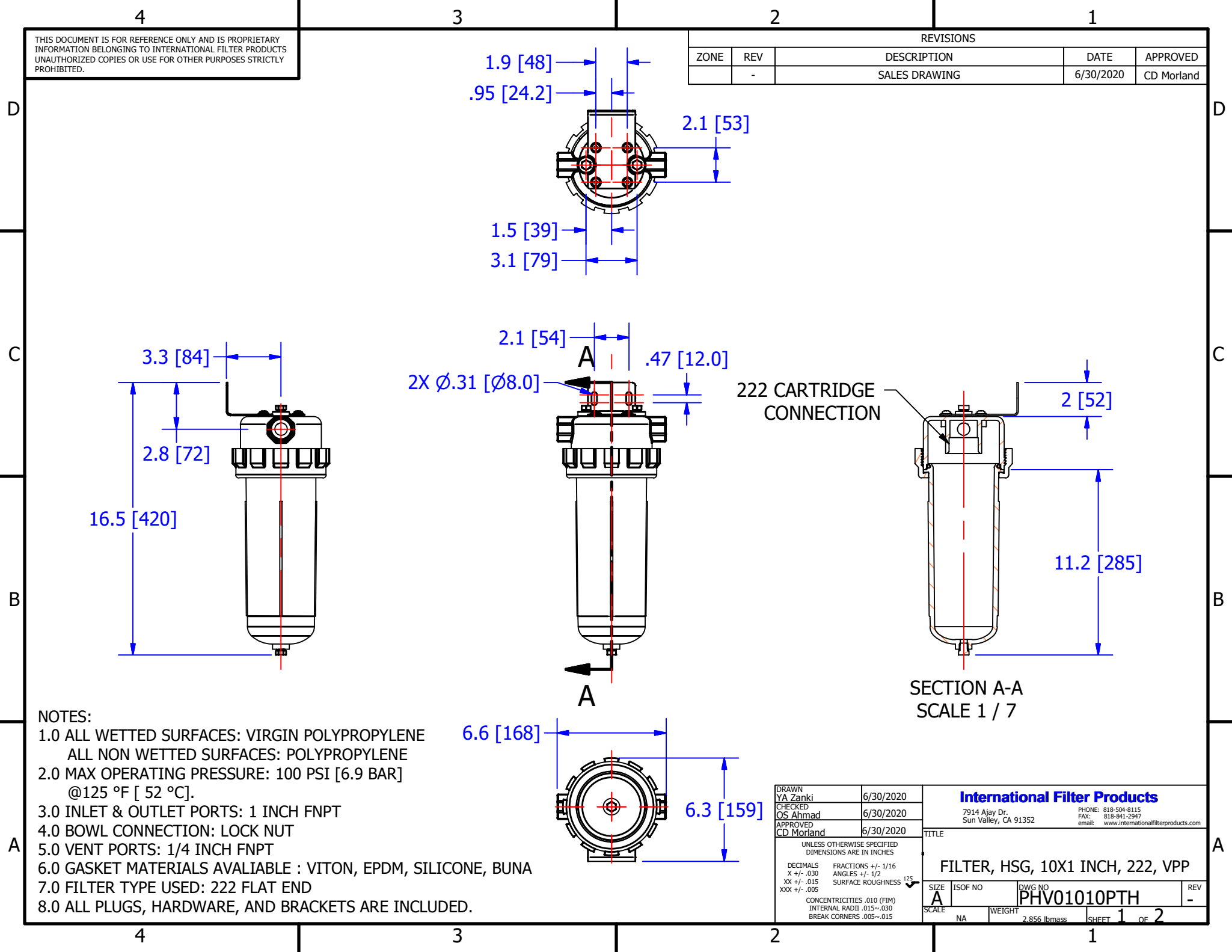


THIS DOCUMENT IS FOR REFERENCE ONLY AND IS PROPRIETARY INFORMATION BELONGING TO INTERNATIONAL FILTER PRODUCTS UNAUTHORIZED COPIES OR USE FOR OTHER PURPOSES STRICTLY PROHIBITED.

REVISIONS				
ZONE	REV	DESCRIPTION	DATE	APPROVED
	-	SALES DRAWING	6/30/2020	CD Morland



- NOTES:
- 1.0 ALL WETTED SURFACES: VIRGIN POLYPROPYLENE
ALL NON WETTED SURFACES: POLYPROPYLENE
 - 2.0 MAX OPERATING PRESSURE: 100 PSI [6.9 BAR]
@125 °F [52 °C].
 - 3.0 INLET & OUTLET PORTS: 1 INCH FNPT
 - 4.0 BOWL CONNECTION: LOCK NUT
 - 5.0 VENT PORTS: 1/4 INCH FNPT
 - 6.0 GASKET MATERIALS AVAILABLE : VITON, EPDM, SILICONE, BUNA
 - 7.0 FILTER TYPE USED: 222 FLAT END
 - 8.0 ALL PLUGS, HARDWARE, AND BRACKETS ARE INCLUDED.

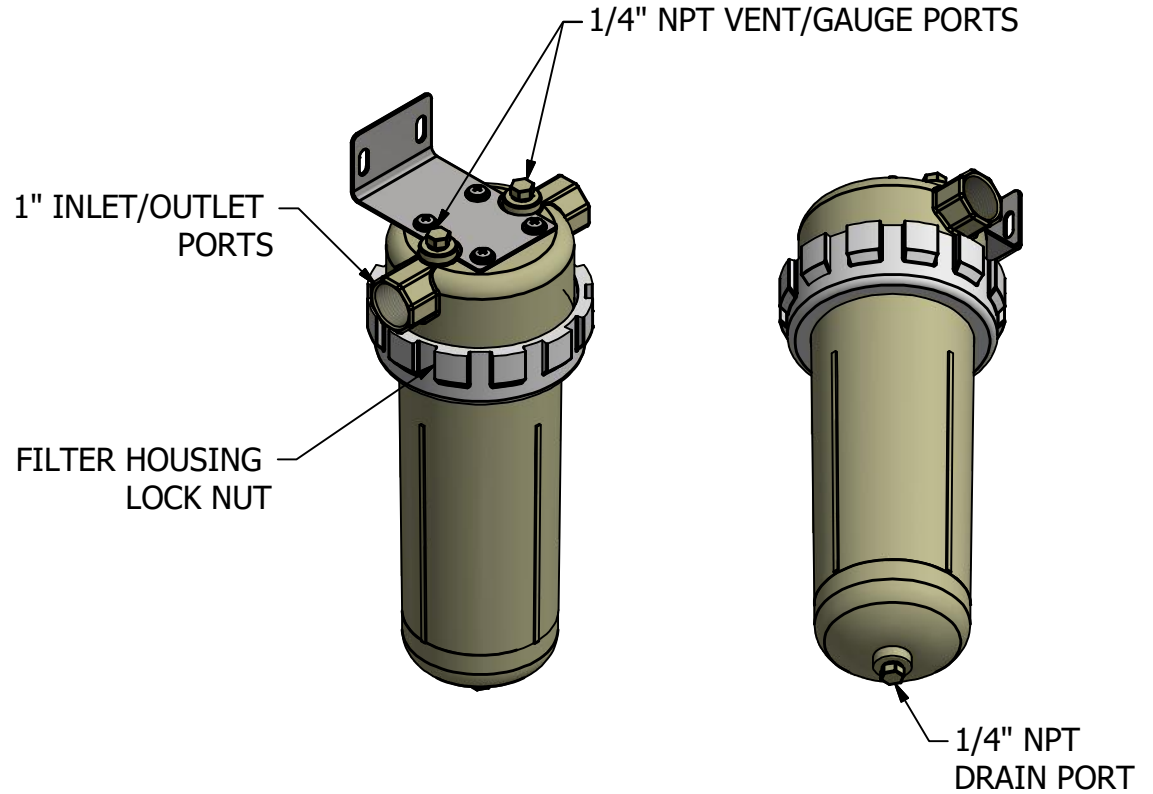
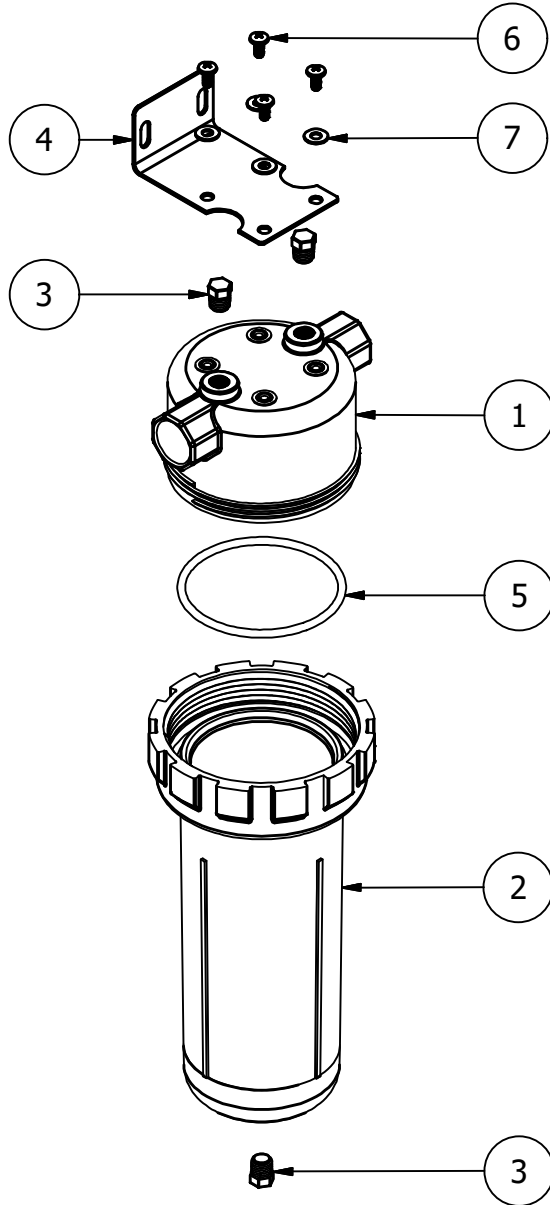
222 CARTRIDGE CONNECTION

SECTION A-A
SCALE 1 / 7

DRAWN YA Zanki CHECKED OS Ahmad APPROVED CD Morland	6/30/2020 6/30/2020 6/30/2020	International Filter Products 7914 Ajay Dr. Sun Valley, CA 91352 PHONE: 818-504-8115 FAX: 818-941-2947 email: www.internationalfilterproducts.com
UNLESS OTHERWISE SPECIFIED DIMENSIONS ARE IN INCHES		
DECIMALS X +/- .030 XX +/- .015 XXX +/- .005	FRACTIONS +/- 1/16 ANGLES +/- 1/2 SURFACE ROUGHNESS 125	TITLE FILTER, HSG, 10X1 INCH, 222, VPP
SIZE A	ISOF NO DWG NO PHV01010PTH	REV -
SCALE NA	WEIGHT 2,856 lbmass	SHEET 1 OF 2

THIS DOCUMENT IS FOR REFERENCE ONLY AND IS PROPRIETARY INFORMATION BELONGING TO INTERNATIONAL FILTER PRODUCTS UNAUTHORIZED COPIES OR USE FOR OTHER PURPOSES STRICTLY PROHIBITED.

REVISIONS				
ZONE	REV	DESCRIPTION	DATE	APPROVED
	-	SALES DRAWING	6/30/2020	CD Morland



7	IFP-10C-3006	WASHER, FLAT, 0.25, SS	4
6	IFP-10C-1922	SCREW, PHILL 0.25-20X.5L, SS	4
5	IFP-09V-0026	SEAL, O-RING, 345, VITON	1
4	PHV010-BK	BRACKET, FILTER HSG, 10-20 INCH, 304 SS	1
3	IFP-04T-0262	FITTING, PLUG, .25MNPT, PP	3
2	PHV01010P-B	FILTER, HSG, BOWL, 10 INCH	1
1	PHV010XXPTH	FILTER, HSG, HEAD, 1 INCH FNPT, PP	1
ITEM	PART NUMBER	DESCRIPTION	QTY

BILL OF MATERIALS

DRAWN	YA Zanki	6/30/2020
CHECKED	OS Ahmad	6/30/2020
APPROVED	CD Morland	6/30/2020

International Filter Products

7914 Ajay Dr. PHONE: 818-504-8115
Sun Valley, CA 91352 FAX: 818-941-2947
email: www.internationalfilterproducts.com

UNLESS OTHERWISE SPECIFIED
DIMENSIONS ARE IN INCHES

DECIMALS FRACTIONS +/- 1/16
X +/- .030 ANGLES +/- 1/2
XX +/- .015 SURFACE ROUGHNESS 125
XXX +/- .005

CONCENTRICITIES .010 (FIM)
INTERNAL RADII .015~.030
BREAK CORNERS .005~.015

TITLE			
FILTER, HSG, 10X1 INCH, 222, VPP			
SIZE	ISOF NO	DWG NO	REV
A		PHV01010PTH	-
SCALE	WEIGHT	SHEET	OF
NA	2.856 lbmass	2	2