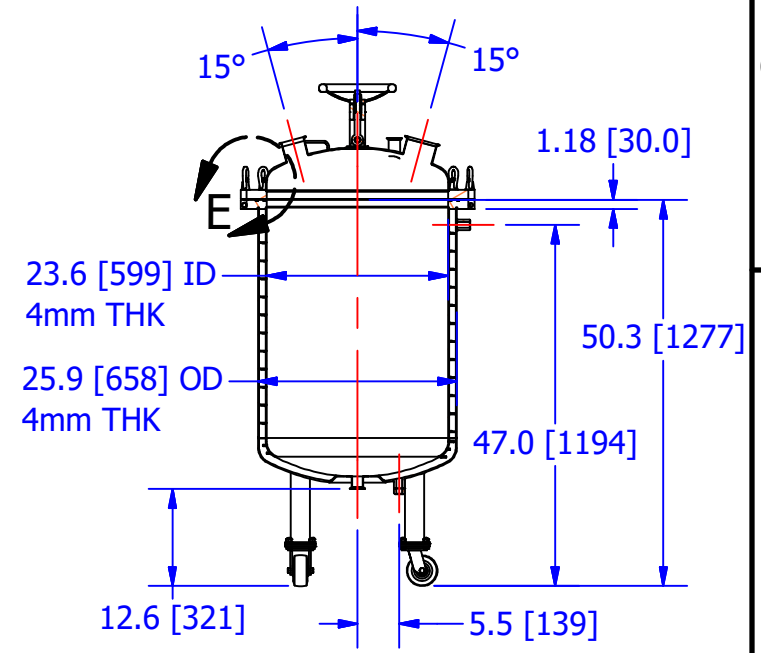
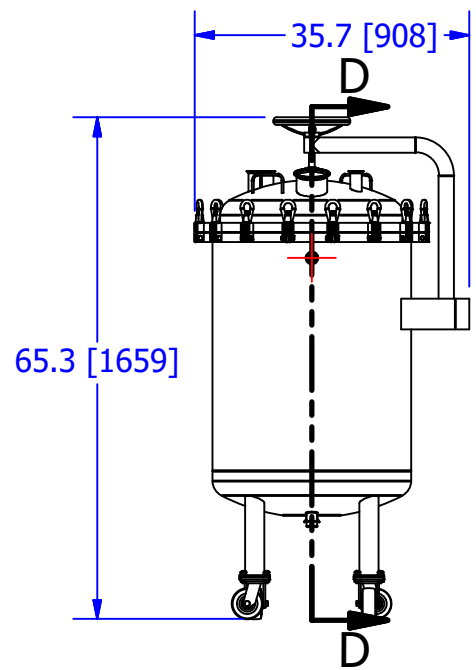
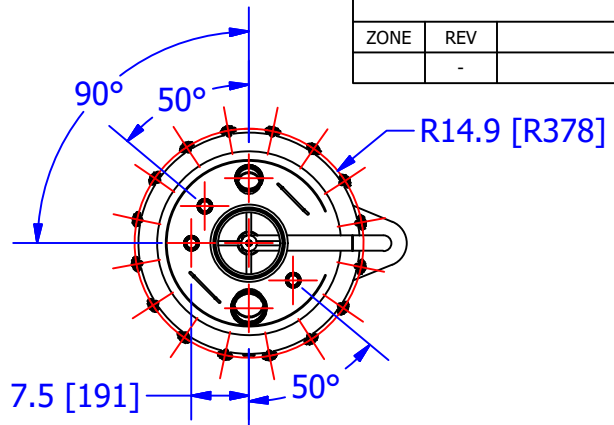


THIS DOCUMENT IS FOR REFERENCE ONLY AND IS PROPRIETARY INFORMATION BELONGING TO INTERNATIONAL FILTER PRODUCTS UNAUTHORIZED COPIES OR USE FOR OTHER PURPOSES STRICTLY PROHIBITED.

REVISIONS				
ZONE	REV	DESCRIPTION	DATE	APPROVED
	-	Production Release	4/22/2019	CD Morland

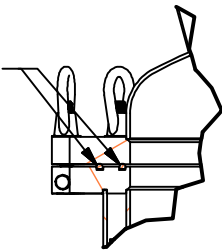
NOTES:

- 1.0 MATERIAL: 316L SS WETTED SURFACES
- 2.0 WORK VOLUME: 200 L [52.8 GALLONS]
- 3.0 THE DRAIN PORT: 1.5" TRI-CLAMP
- 3.0 THE PROCESS VESSEL MUST BE JACKETED ON THE OUTSIDE, JACKET MATERIAL: 304 SS
- 4.0 INTERNAL WETTED SURFACES ARE 16 RA FINISH; EXTERNAL EXPOSED SURFACES ARE 25 RA FINISHED.
- 5.0 ALL SURFACES ARE TO BE ELECTRO-POLISHED AND PASSIVATED.
- 6.0 GASKET MATERIAL: EPDM
- 7.0 THE WORKING DESIGN PRESSURE IS 100 PSI [6.8 BAR] @ 250°F [121°C]
- 8.0 JACKET HAS BAFFLES TO ENSURE FLUID CIRCULATES EVENLY AROUND THE PROCESS FLUID VESSEL.
- 9.0 THE JACKET FLUID IS REFRIGERATION COOLANT, INLET/OUTLET PORT: 3/4" NPT
- 10.0 THE JACKET DESIGN PRESSURE IS 100 PSI @ 250 °F [121 °C]
- 11.0 TOP COVER PORTS:
THREE 1.5" TRI-CLAMP
ONE 3" TRI CLAMP
ONE 4" TRI-CLAMP
- 12.0 FOUR LEGS ARE WELDED FOR SUPPORT W/CASTERS.

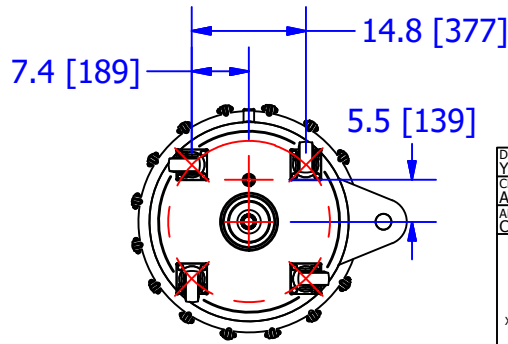


SECTION D-D
SCALE 0.040 : 1

DOUBLE O-RING SEAL



DETAIL E
SCALE 0.12 : 1



DRAWN YA Zanki	1/17/2019
CHECKED A. Aziz	2/4/2019
APPROVED CD Morland	2/4/2019

International Filter Products
11070 Fleetwood St., Unit B
Sun Valley, CA 91352
PHONE: 818-504-8115
FAX: 818-941-2947
email: www.internationalfilterproducts.com

UNLESS OTHERWISE SPECIFIED
DIMENSIONS ARE IN INCHES
DECIMALS FRACTIONS +/- 1/16
X +/- .030 ANGLES +/- 1/2
XX +/- .015 SURFACE ROUGHNESS 125
XXX +/- .005
CONCENTRICITIES .010 (FIM)
INTERNAL RADII .015~.030
BREAK CORNERS .005~.015

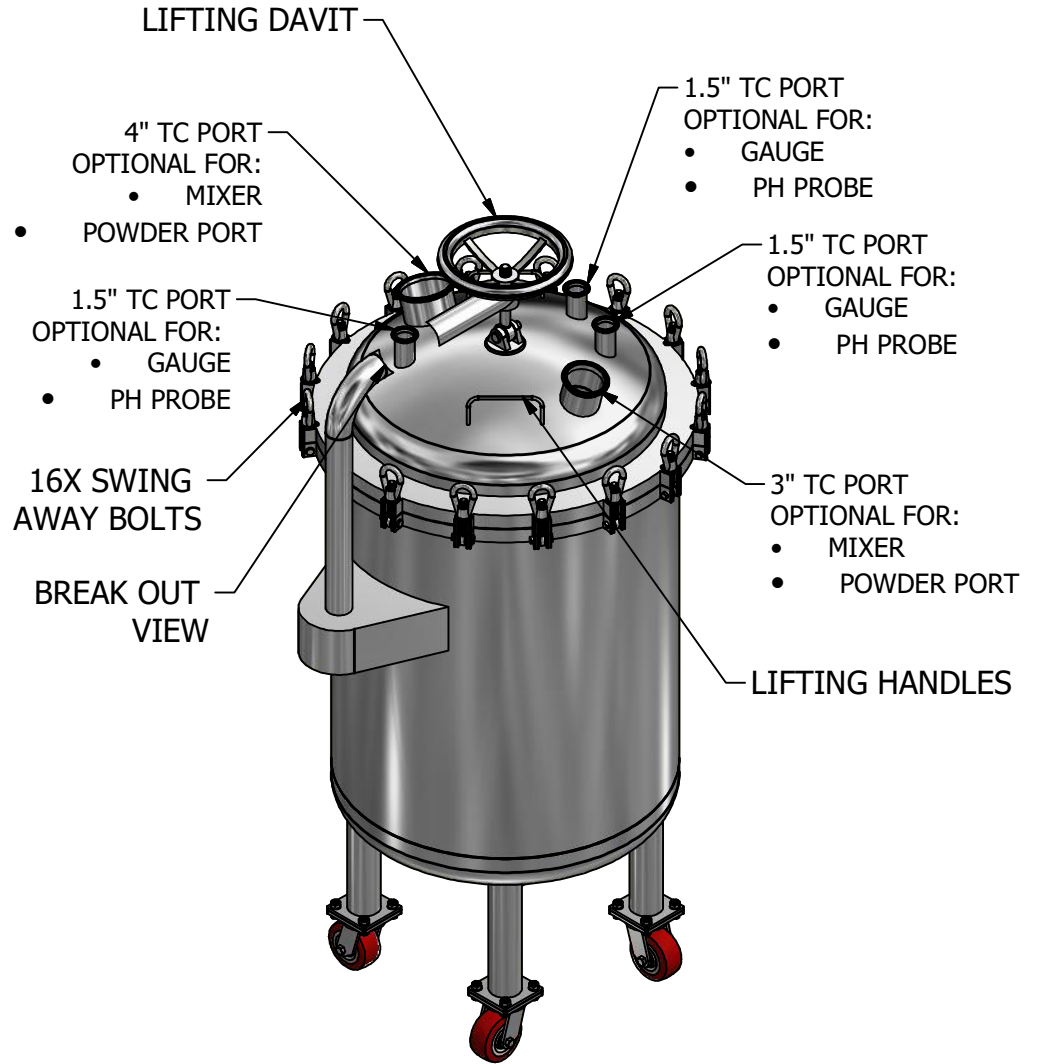
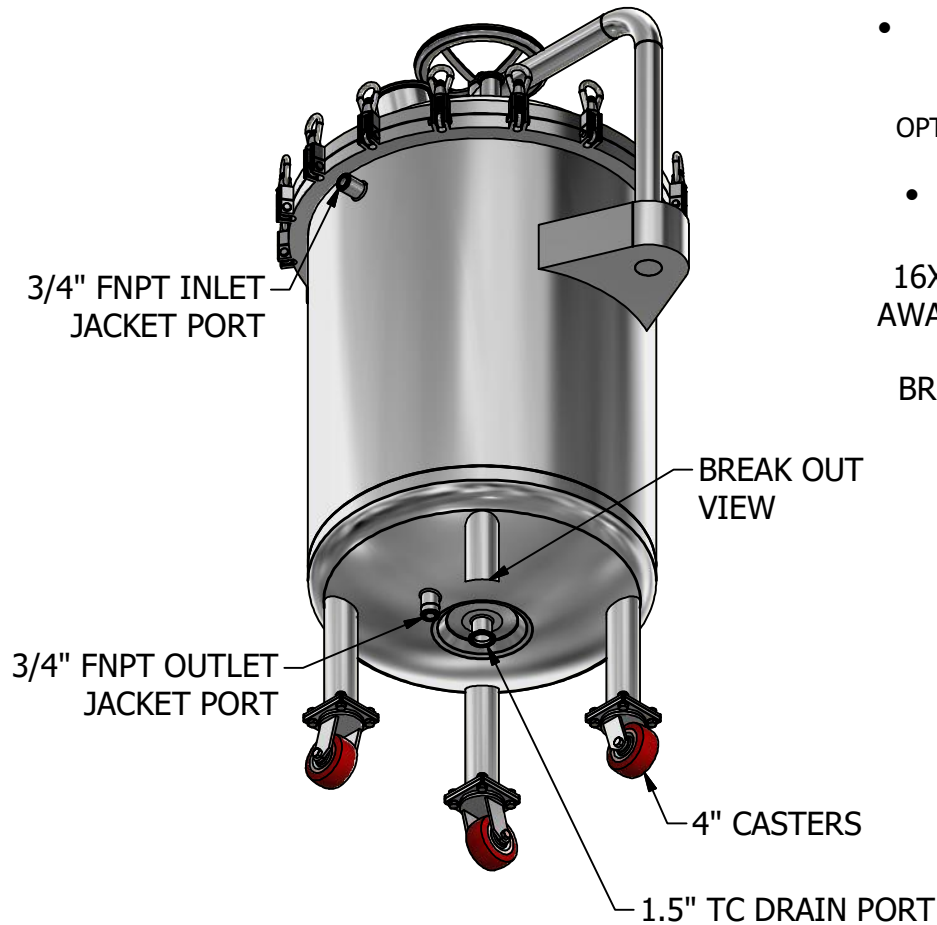
TANK-E, JACKETED, PRESS 200L			
SIZE A	ISOF NO	DWG NO IFP-021-1823	REV -
SCALE NA	WEIGHT 458.533 lbmass	SHEET 1	OF 2

THIS DOCUMENT IS FOR REFERENCE ONLY AND IS PROPRIETARY INFORMATION BELONGING TO INTERNATIONAL FILTER PRODUCTS UNAUTHORIZED COPIES OR USE FOR OTHER PURPOSES STRICTLY PROHIBITED.

REVISIONS				
ZONE	REV	DESCRIPTION	DATE	APPROVED
	-	Production Release	4/22/2019	CD Morland

D
C
B
A

D
C
B
A



DRAWN YA Zanki	1/17/2019
CHECKED A. Aziz	2/4/2019
APPROVED CD Morland	2/4/2019

International Filter Products
 11070 Fleetwood St., Unit B
 Sun Valley, CA 91352
 PHONE: 818-504-8115
 FAX: 818-941-2947
 email: www.internationalfilterproducts.com

UNLESS OTHERWISE SPECIFIED
 DIMENSIONS ARE IN INCHES

DECIMALS FRACTIONS +/- 1/16
 X +/- .030 ANGLES +/- 1/2
 XX +/- .015 SURFACE ROUGHNESS 125
 XXX +/- .005

CONCENTRICITIES .010 (FIM)
 INTERNAL RADII .015~.030
 BREAK CORNERS .005~.015

TITLE TANK-E, JACKETED, PRESS 200L			
SIZE A	ISOF NO	DWG NO IFP-021-1823	REV -
SCALE NA	WEIGHT 458.533 lbmass	SHEET 2 OF 2	

4

3

2

1