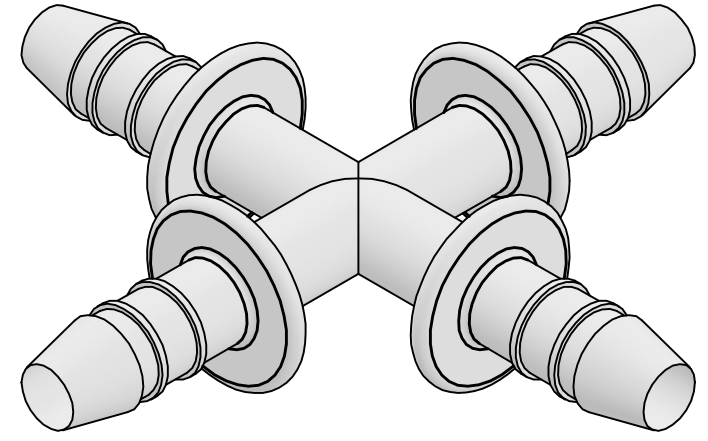
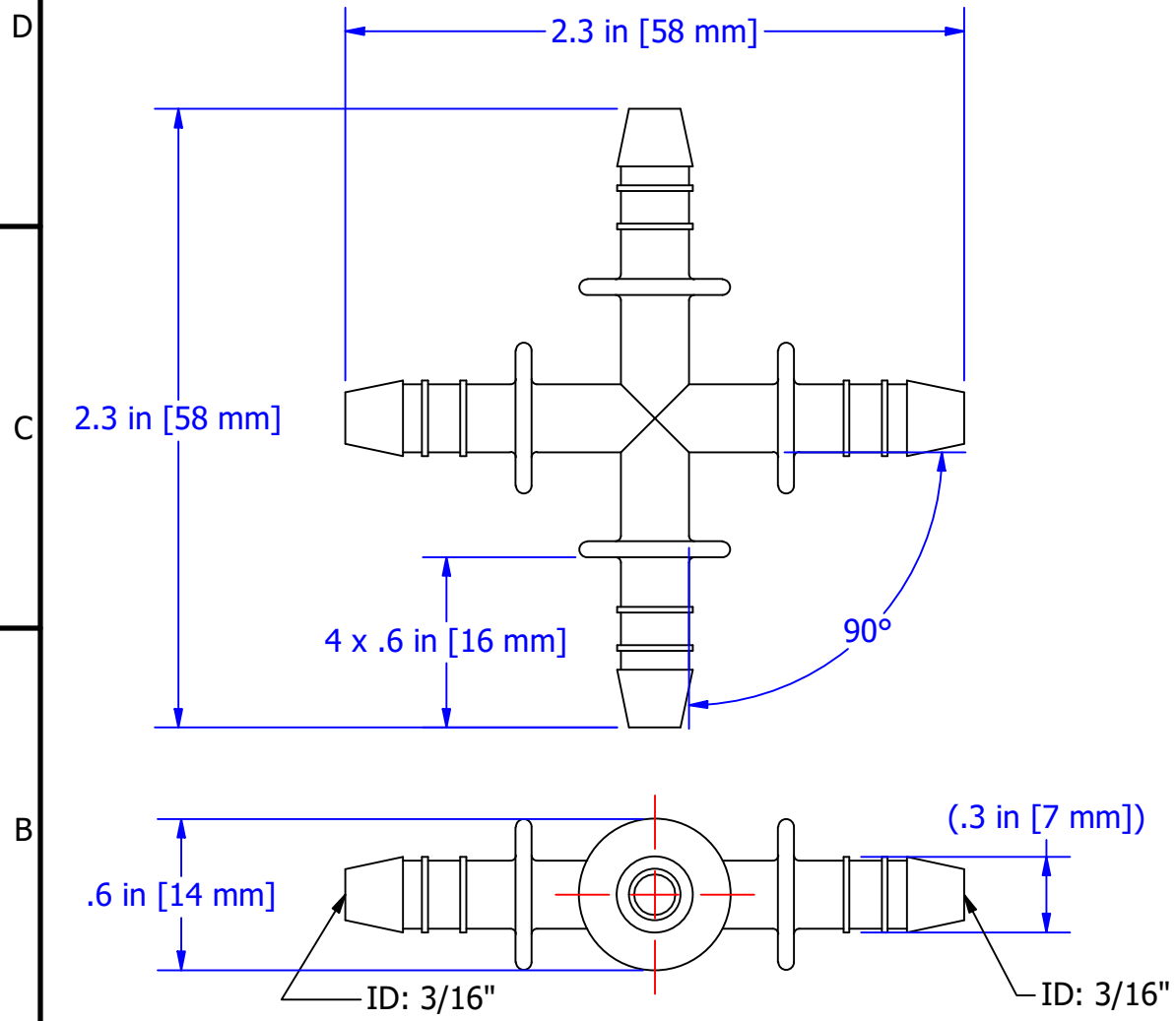


THIS DOCUMENT IS FOR REFERENCE ONLY AND IS PROPRIETARY INFORMATION BELONGING TO INTERNATIONAL FILTER PRODUCTS. UNAUTHORIZED COPIES OR USE FOR OTHER PURPOSES STRICTLY PROHIBITED.

REVISIONS				
ZONE	REV	DESCRIPTION	DATE	APPROVED
	-	SALES DRAWING	10/28/2022	YA ZANKI



- NOTE:**
- 1.0 Material: Polypropylene
 - 2.0 Can be Sterilized by Gamma Radiation
 - 3.0 Max. Working Pressure @ 200 °F (93.3 °C): 100 PSI
 - 4.0 Max. Working Pressure @ 72 °F (22.2 °C): 250 PSI
 - 5.0 Max. Working Temperature: 200 °F (93.3 °C)
 - 6.0 Manufactured and Packaged in a Certified Clean Room
 - 7.0 Regulatory Information is Found in Catalog

DRAWN NV GABRIEL 10/7/2022		International Filter Products 11070 FLEETWOOD ST. UNIT B SUN VALLEY, CA 91352		PHONE: 818-504-8115 FAX: 818-841-2947 email: charlie@internationalfilterproducts.com
CHECKED YA ZANKI 10/28/2022		TITTLE FITTING CROSS, 4 WAY, 0.1875 in ID, PP		
APPROVED YA ZANKI 10/28/2022		SIZE A	ISOF NO	DWG NO PFX187PPAF
UNLESS OTHERWISE SPECIFIED DIMENSIONS ARE IN INCHES		SCALE	WEIGHT	REV -
DECIMALS FRACTIONS +/- 1/16 X +/- .030 ANGLES +/- 1/2 XX +/- .015 SURFACE ROUGHNESS 125 XXX +/- .005		NA		SHEET 1 OF 1
CONCENTRICITIES .010 (FIM) INTERNAL RADII .015~.030 BREAK CORNERS .005~.015				