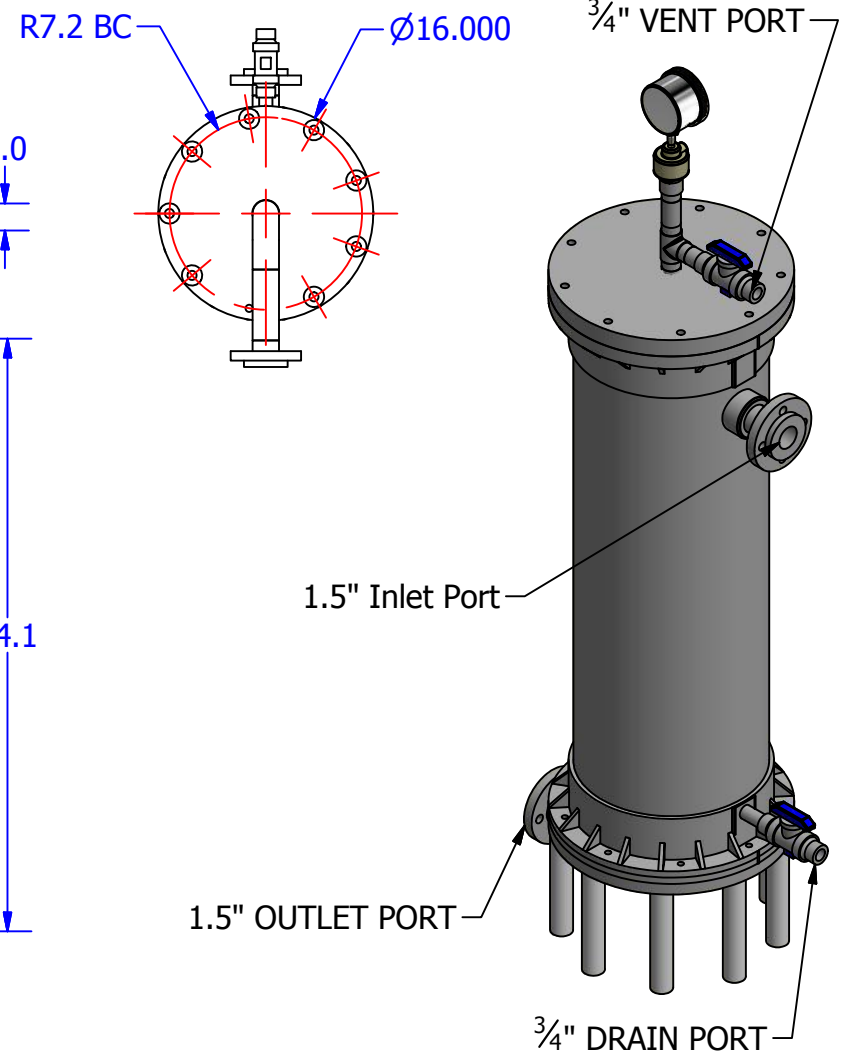
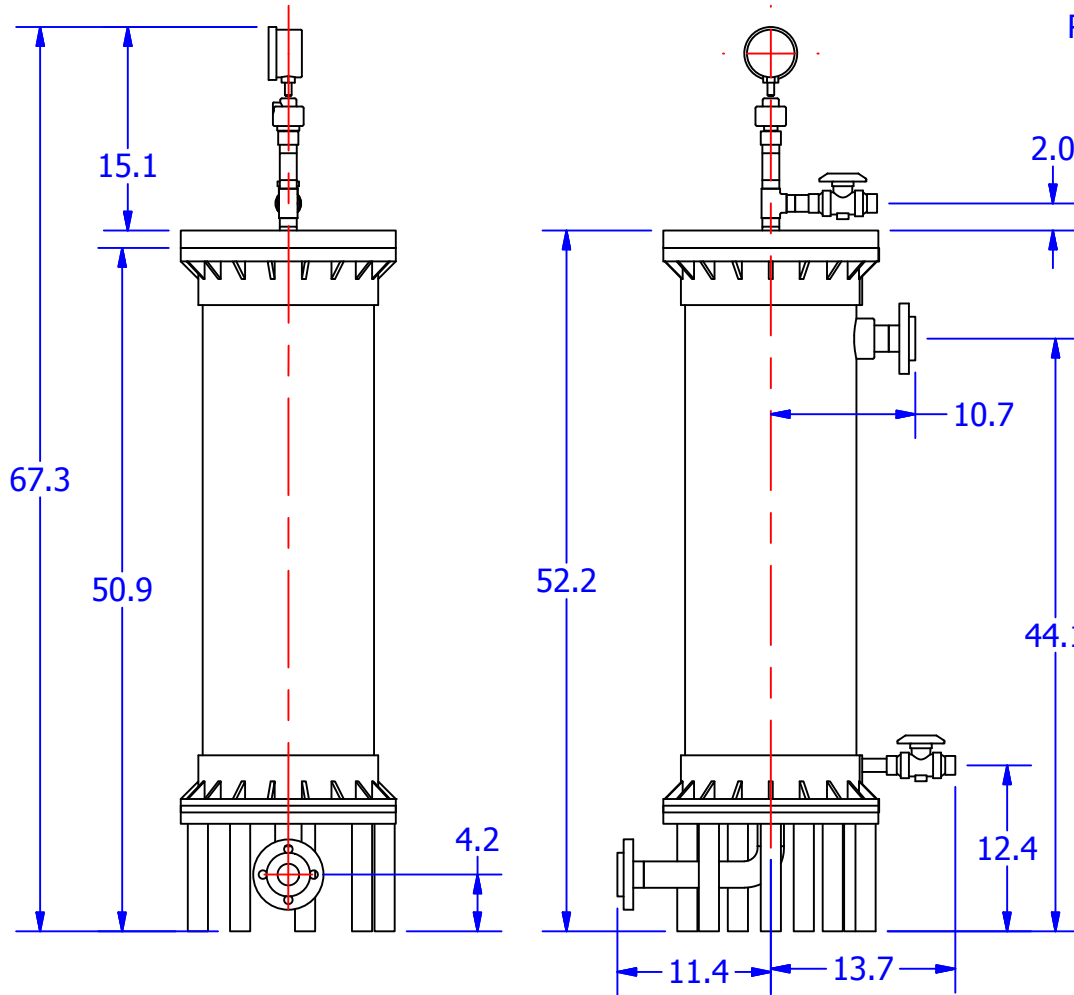


THIS DOCUMENT IS FOR REFERENCE ONLY AND IS PROPRIETARY INFORMATION BELONGING TO INTERNATIONAL FILTER PRODUCTS UNAUTHORIZED COPIES OR USE FOR OTHER PURPOSES STRICTLY PROHIBITED.

REVISIONS				
ZONE	REV	DESCRIPTION	DATE	APPROVED
	1	Production Release	11/7/2013	CD Morland



NOTES:

- 1.0 The filter housing is designed for 35 psi @ 70 F.
- 2.0 The materials of construction are Polypropylene and Viton seals.
- 3.0 All hardware is 316L, Bolts - 1/2"-13 UNC
- 4.0 Filter Housing accepts, Nine (9) 30" long, O-rings 222, flat end cartridges.
- 5.0 Inlet/Outlet uses 1.5" ASA Flanges.

DRAWN YA Zanki CHECKED CD Morland APPROVED CD Morland	11/7/2013 11/7/2013 11/7/2013	International Filter Products 7914 Ajay Dr. Sun Valley, CA 91352 Phone: 818-504-8115 Web: www.internationalfilterproducts.com Email: sales@internationalfilterproducts.com	Filter Housing - 30" Long
UNLESS OTHERWISE SPECIFIED DIMENSIONS ARE IN INCHES DECIMALS FRACTIONS +/- 1/16 X +/- .030 ANGLES +/- 1/2 XX +/- .015 SURFACE ROUGHNESS 125 XXX +/- .005 CONCENTRICITIES .010 (FIM) INTERNAL RADII .015~.030 BREAK CORNERS .005~.015		TITLE Filter Housing - 30" Long	SIZE A
ISOF NO NA	DWG NO EG-12C-9B-3-1-V	REV 1	SCALE NA
SHEET 1 OF 1			