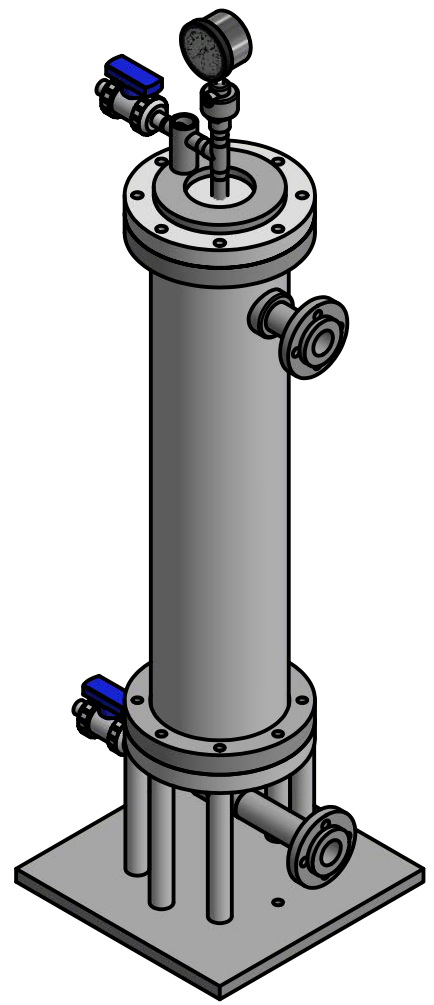
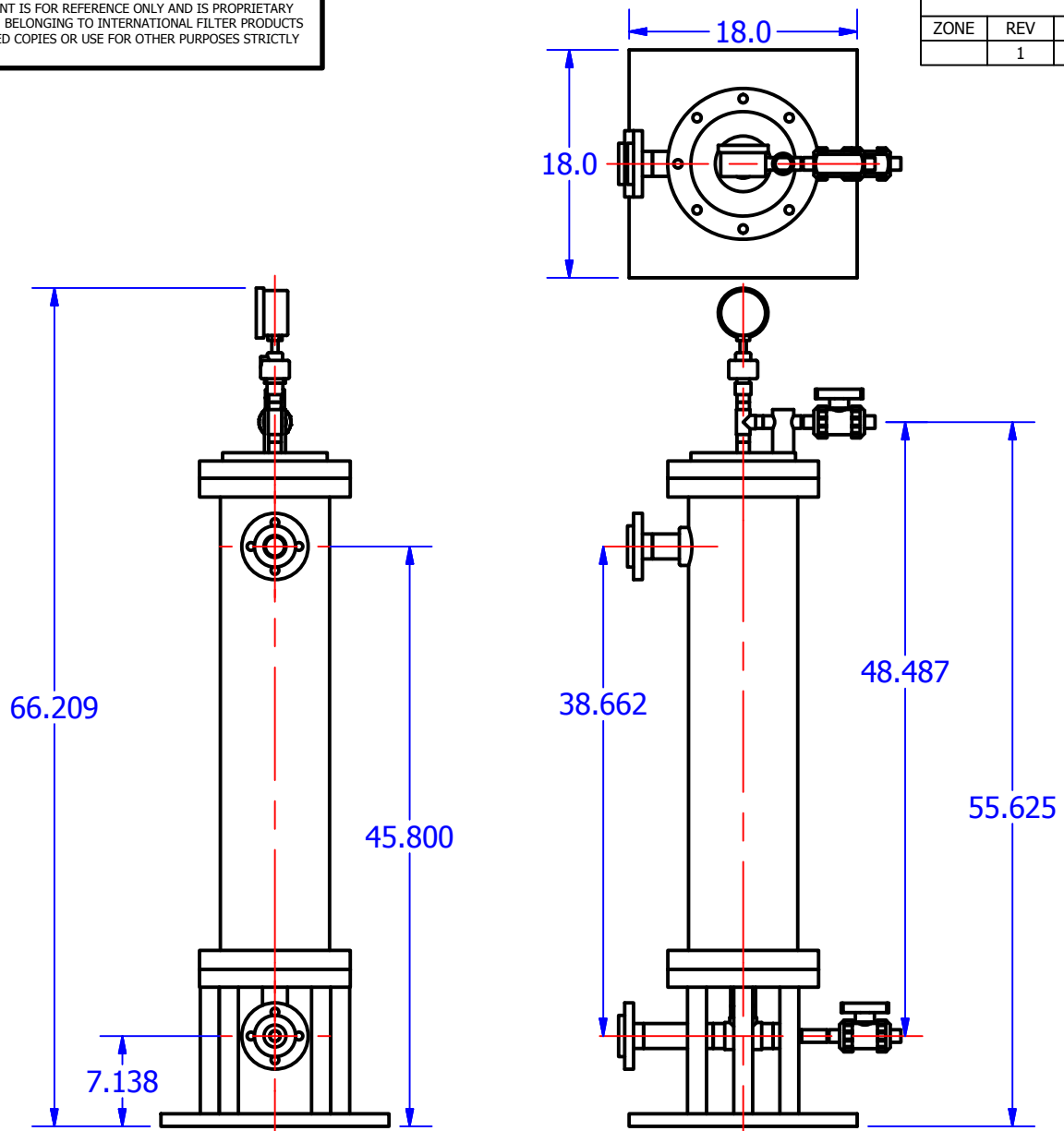


THIS DOCUMENT IS FOR REFERENCE ONLY AND IS PROPRIETARY INFORMATION BELONGING TO INTERNATIONAL FILTER PRODUCTS UNAUTHORIZED COPIES OR USE FOR OTHER PURPOSES STRICTLY PROHIBITED.

REVISIONS				
ZONE	REV	DESCRIPTION	DATE	APPROVED
	1	Production Release	2/9/2016	CD Morland

D
C
B
A



Notes:

- 1.0 The Filter housing is designed for 75 Psi @ 73 F.
- 2.0 The materials of construction are Polypropylene and Viton seals.
- 3.0 All hardware is 316L SS; Bolts 1/2"-13 UNC-2B.
- 4.0 The Housing accepts, 20" long,)-rings 222, Flat end cartridges.
- 5.0 Inlet/Outlet 2.0" ASA Flanges.

DRAWN CD Morland	2/9/2016
CHECKED	
APPROVED	
UNLESS OTHERWISE SPECIFIED DIMENSIONS ARE IN INCHES	
DECIMALS X +/- .030	FRACTIONS +/- 1/16
XX +/- .015	ANGLES +/- 1/2
XXX +/- .005	SURFACE ROUGHNESS 125
CONCENTRICITIES .010 (FIM)	
INTERNAL RADII .015~.030	
BREAK CORNERS .005~.015	

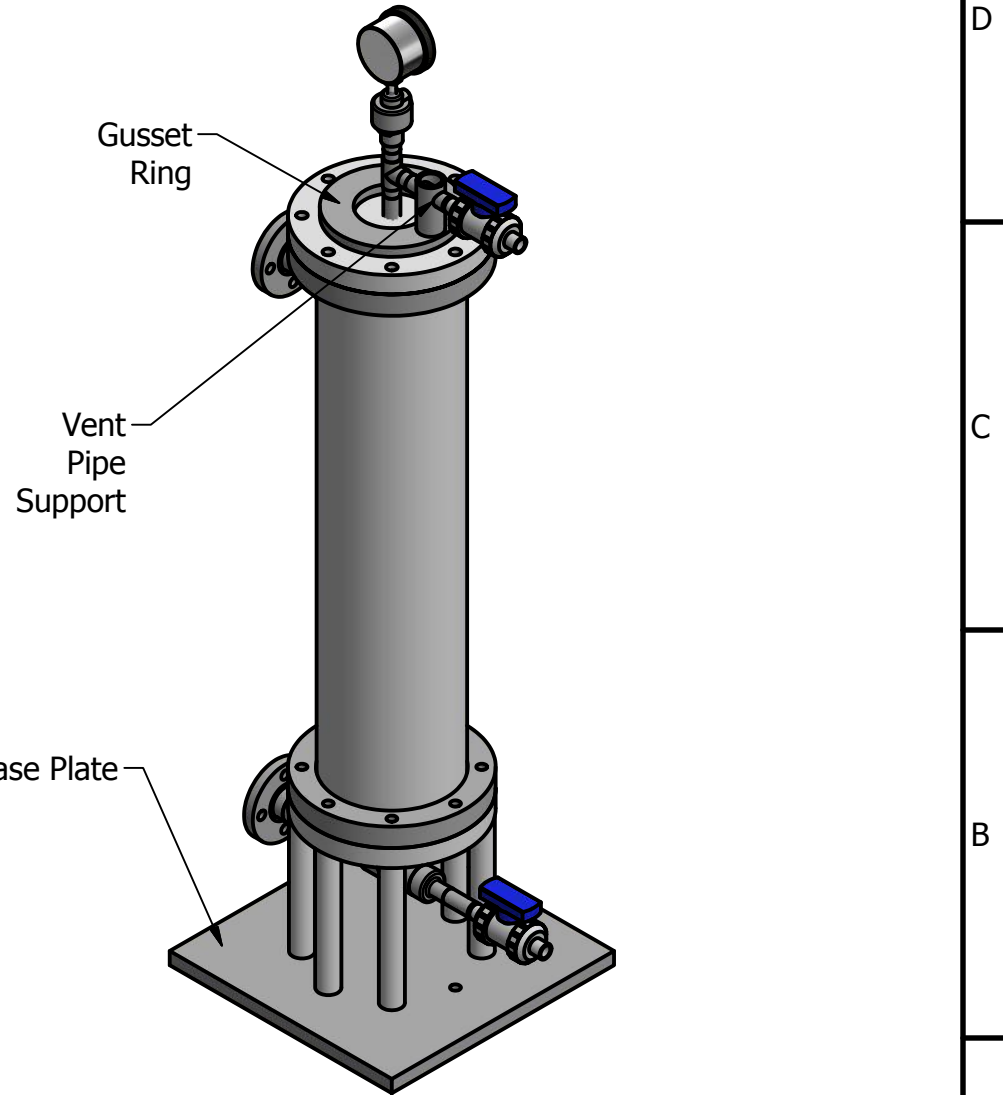
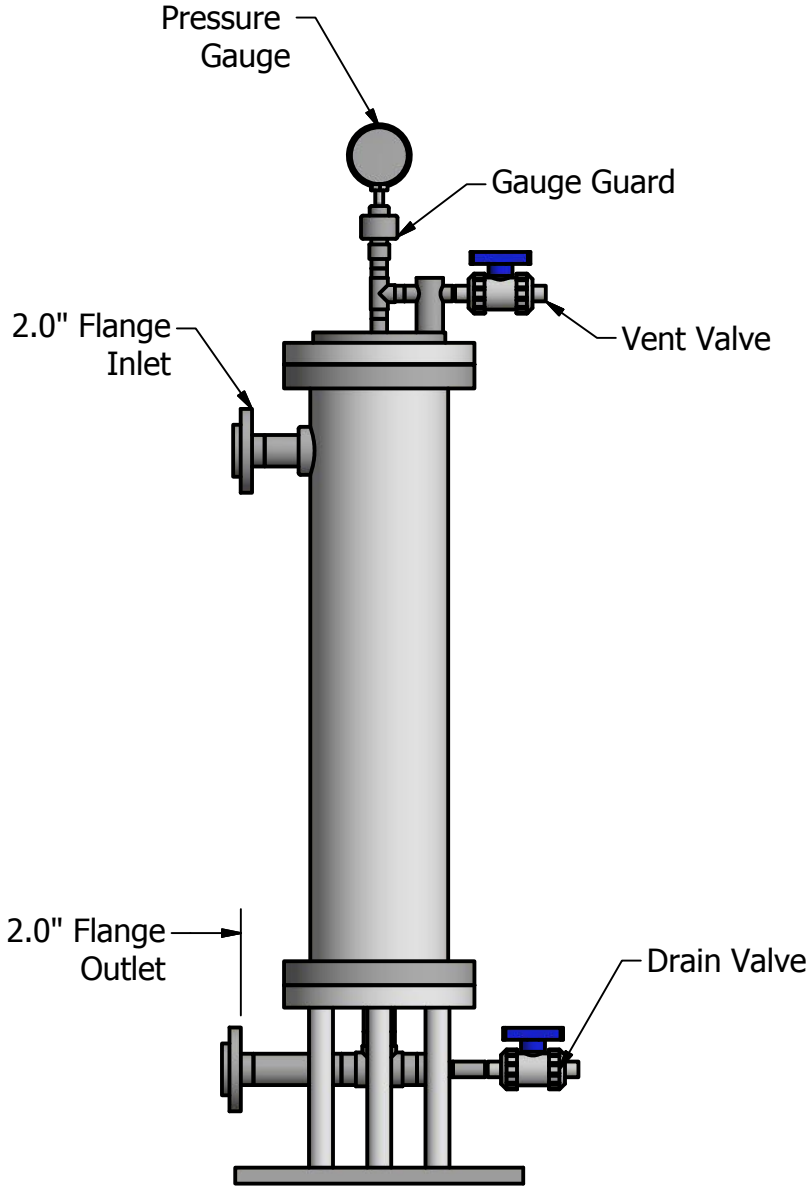
International Filter Products			
7914 Ajay Dr. Sun Valley, CA 91352		Phone: 818-504-8115 Web: www.internationalfilterproducts.com Email: sales@internationalfilterproducts.com	
TITLE Filter Housing - 20" Long			
SIZE A	ISOF NO	DWG NO EG-8C-4B-2-1-V	REV 1
SCALE NA	WEIGHT	SHEET 1 OF 2	

4 3 2 1

THIS DOCUMENT IS FOR REFERENCE ONLY AND IS PROPRIETARY INFORMATION BELONGING TO INTERNATIONAL FILTER PRODUCTS UNAUTHORIZED COPIES OR USE FOR OTHER PURPOSES STRICTLY PROHIBITED.

REVISIONS				
ZONE	REV	DESCRIPTION	DATE	APPROVED
	1	Production Release	2/9/2016	CD Morland

D
C
B
A



DRAWN CD Morland CHECKED APPROVED	2/9/2016 	International Filter Products 7914 Ajay Dr. Phone: 818-504-8115 Sun Valley, CA 91352 Web: www.internationalfilterproducts.com Email: sales@internationalfilterproducts.com	Filter Housing - 20" Long
UNLESS OTHERWISE SPECIFIED DIMENSIONS ARE IN INCHES DECIMALS X +/- .030 FRACTIONS +/- 1/16 XX +/- .015 ANGLES +/- 1/2 XXX +/- .005 SURFACE ROUGHNESS 125		TITLE Filter Housing - 20" Long	SIZE A
CONCENTRICITIES .010 (FIM) INTERNAL RADII .015~.030 BREAK CORNERS .005~.015		DWG NO EG-8C-4B-2-1-V	REV 1
SCALE NA WEIGHT		SHEET 2 OF 2	

4 3 2 1