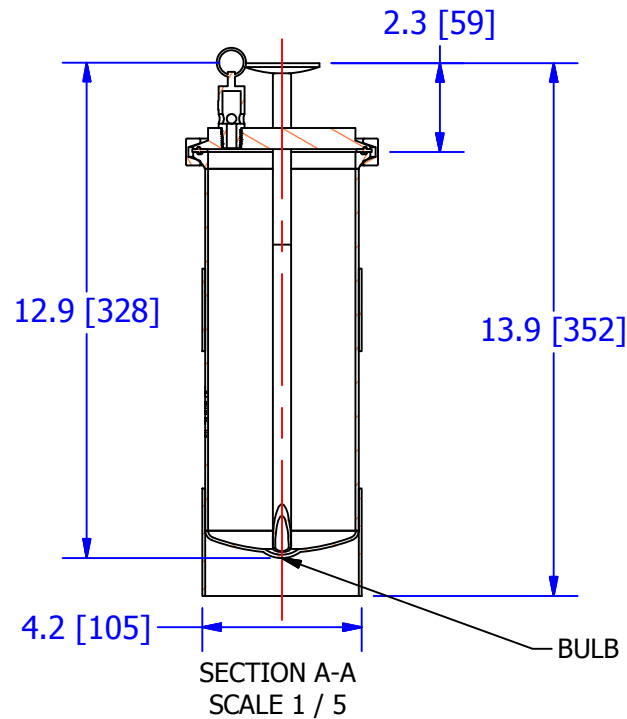
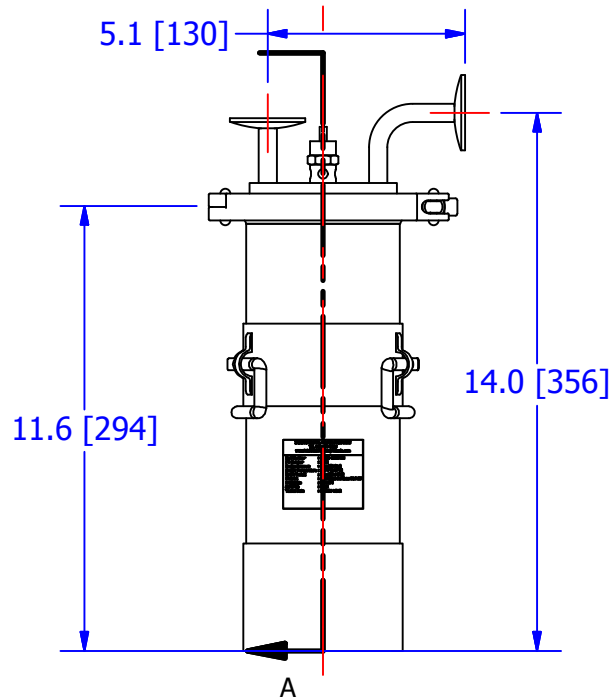
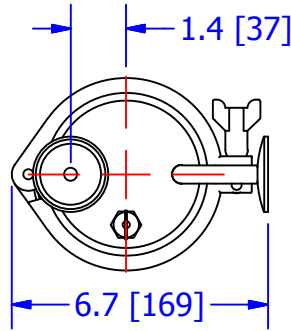


THIS DOCUMENT IS FOR REFERENCE ONLY AND IS PROPRIETARY INFORMATION BELONGING TO INTERNATIONAL FILTER PRODUCTS UNAUTHORIZED COPIES OR USE FOR OTHER PURPOSES STRICTLY PROHIBITED.

REVISIONS				
ZONE	REV	DESCRIPTION	DATE	APPROVED
	-	SALES DRAWING	7/16/2019	CD Morland



NOTES:

- 1.0 ALL WETTED SURFACES ARE: 316 L SS
- 2.0 INTERNAL SURFACE FINISH IS 16 RA; EXTERNAL 25 RA
- 3.0 PRESSURE POT DESIGNED FOR 57 PSI [4 BAR] @ 212 °F [100 °C]
- 4.0 PRESSURE POT WORKING VOLUME: 2L
- 5.0 INLET AND OUTLET PORTS: 1 INCH TRI-CLAMP
- 6.0 DOME SEAL MATERIAL: EPDM
- 7.0 HOUSING IS DESIGNED TO BE STEAM STERILIZED @ 270 °F [132 °C] FOR 30 MIN

DRAWN Owner CHECKED YA Zanki APPROVED CD Morland	9/24/2019 9/27/2019 9/27/2019	International Filter Products 11070 Fleetwood St., Unit B Sun Valley, CA 91352 PHONE: 818-504-8115 FAX: 818-941-2947 email: www.internationalfilterproducts.com
UNLESS OTHERWISE SPECIFIED DIMENSIONS ARE IN INCHES DECIMALS FRACTIONS +/- 1/16 X +/- .030 ANGLES +/- 1/2 XX +/- .015 SURFACE ROUGHNESS 125 XXX +/- .005 CONCENTRICITIES .010 (FIM) INTERNAL RADII .015~.030 BREAK CORNERS .005~.015		TITLE PRESSURE POT, 2L, 316L SS
SIZE A SCALE NA	ISOF NO DWG NO IFP-021-1102	REV - WEIGHT 8.946 lbmass SHEET 1 OF 3

4

3

2

1

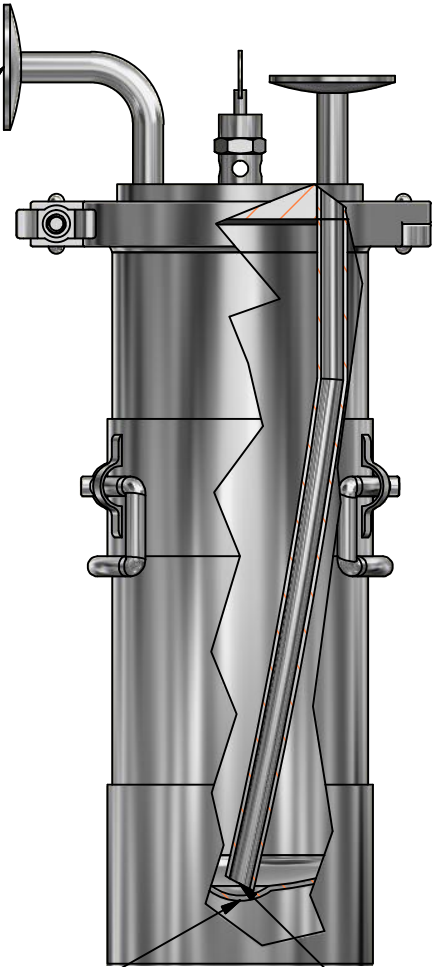
THIS DOCUMENT IS FOR REFERENCE ONLY AND IS PROPRIETARY INFORMATION BELONGING TO INTERNATIONAL FILTER PRODUCTS UNAUTHORIZED COPIES OR USE FOR OTHER PURPOSES STRICTLY PROHIBITED.

REVISIONS				
ZONE	REV	DESCRIPTION	DATE	APPROVED
	-	SALES DRAWING	7/16/2019	CD Morland

D

D

1" SANITARY TRI-CLAMP INLET

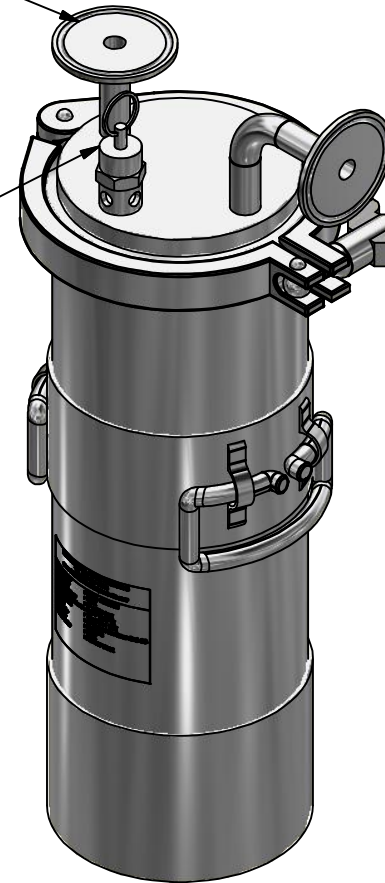


BULB

DIP TUBE (ASSIST WITH LIQUID EXTRACTION)

1" SANITARY TRI-CLAMP OUTLET

PRESSURE RELIEF VALVE (SET @ 30 PSI [2 BAR])



4" TC CLAMP

C

C

B

B

A

A

DRAWN Owner	9/24/2019
CHECKED YA Zanki	9/27/2019
APPROVED CD Morland	9/27/2019

International Filter Products

11070 Fleetwood St., Unit B
Sun Valley, CA 91352
PHONE: 818-504-8115
FAX: 818-941-2947
email: www.internationalfilterproducts.com

UNLESS OTHERWISE SPECIFIED
DIMENSIONS ARE IN INCHES

DECIMALS FRACTIONS +/- 1/16
X +/- .030 ANGLES +/- 1/2
XX +/- .015 SURFACE ROUGHNESS 125
XXX +/- .005

CONCENTRICITIES .010 (FIM)
INTERNAL RADII .015~.030
BREAK CORNERS .005~.015

TITLE			
PRESSURE POT, 2L, 316L SS			
SIZE A	ISOF NO	DWG NO IFP-021-1102	REV -
SCALE NA	WEIGHT 8.946 lbmass	SHEET 2 OF 3	

4

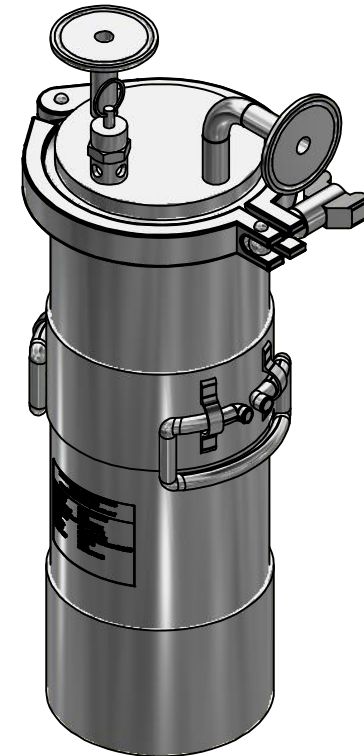
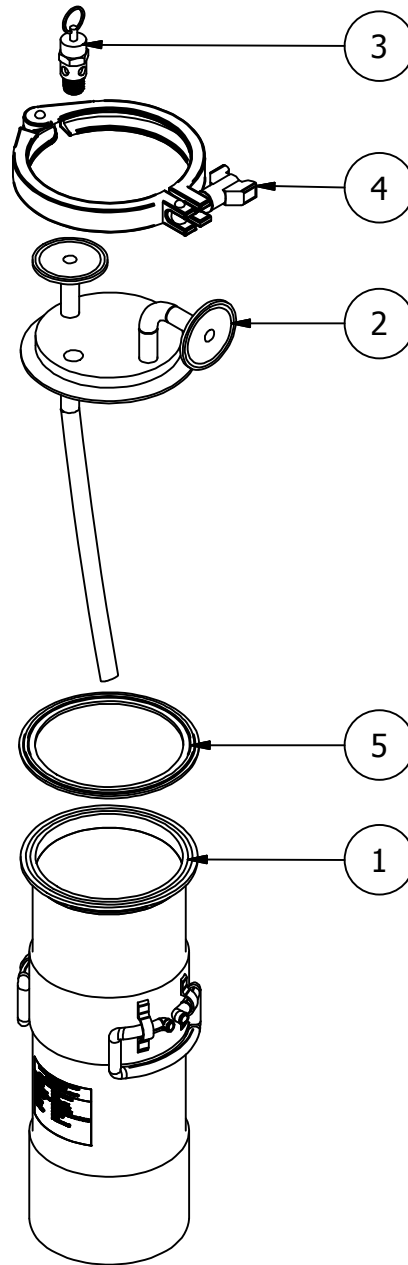
3

2

1

THIS DOCUMENT IS FOR REFERENCE ONLY AND IS PROPRIETARY INFORMATION BELONGING TO INTERNATIONAL FILTER PRODUCTS UNAUTHORIZED COPIES OR USE FOR OTHER PURPOSES STRICTLY PROHIBITED.

REVISIONS				
ZONE	REV	DESCRIPTION	DATE	APPROVED
	-	SALES DRAWING	7/16/2019	CD Morland



ITEM	QTY	PART NUMBER	DESCRIPTION
5	1	IFP-09U-0106	SEAL, TC, 4.0 INCH, EPDM
4	1	IFP-02D-1103	CLAMP, TC, 4.0 INCH
3	1	IFP-02E-1104	RELIEF VALVE, BSP PIPE THREAD, 0.25 INCH
2	1	IFP-021-1104	COVER, PRESS POT, 2L, 316L SS
1	1	IFP-021-1103	BASE, PRESS POT, 2L, 316L SS

BILL OF MATERIALS

DRAWN Owner CHECKED YA Zanki APPROVED CD Morland	9/24/2019 9/27/2019 9/27/2019	International Filter Products 11070 Fleetwood St., Unit B Sun Valley, CA 91352 PHONE: 818-504-8115 FAX: 818-841-2947 email: www.internationalfilterproducts.com	TITLE PRESSURE POT, 2L, 316L SS
UNLESS OTHERWISE SPECIFIED DIMENSIONS ARE IN INCHES DECIMALS FRACTIONS +/- 1/16 X +/- .030 ANGLES +/- 1/2 XX +/- .015 SURFACE ROUGHNESS 125 XXX +/- .005 CONCENTRICITIES .010 (FIM) INTERNAL RADII .015~.030 BREAK CORNERS .005~.015		SIZE A	ISOF NO DWG NO IFP-021-1102
SCALE	NA	WEIGHT	8.946 lbmass
SHEET		3 OF 3	