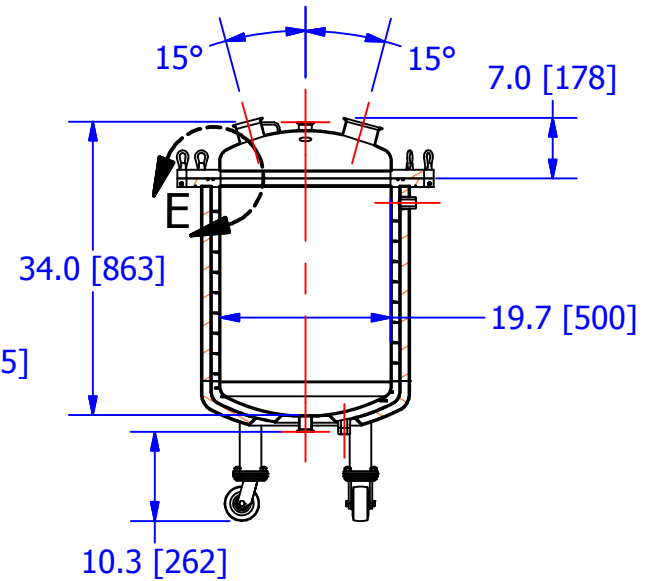
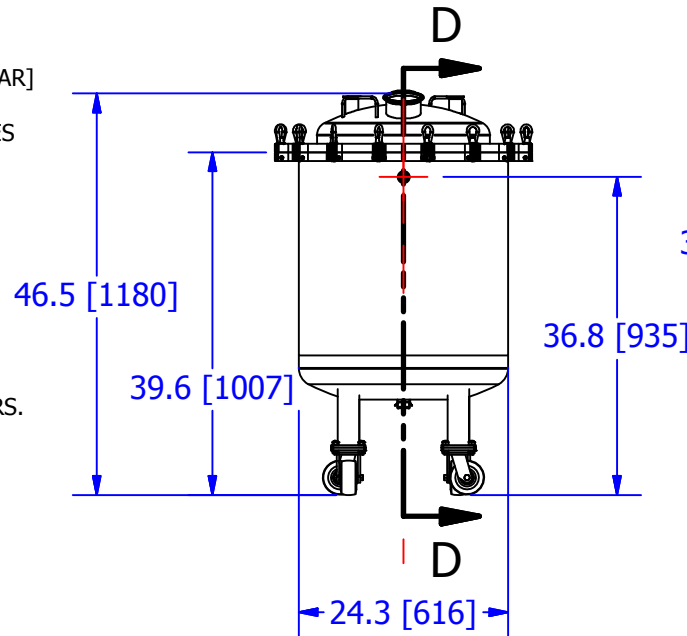
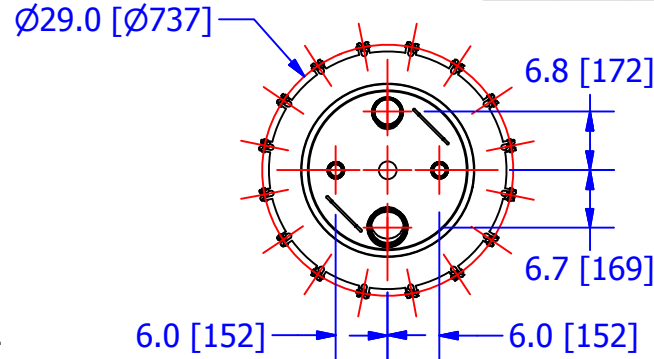


THIS DOCUMENT IS FOR REFERENCE ONLY AND IS PROPRIETARY INFORMATION BELONGING TO INTERNATIONAL FILTER PRODUCTS UNAUTHORIZED COPIES OR USE FOR OTHER PURPOSES STRICTLY PROHIBITED.

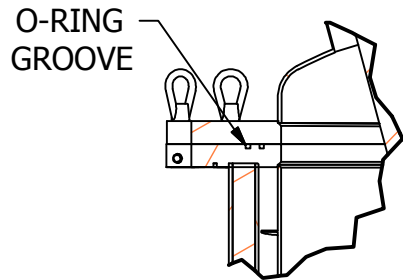
REVISIONS				
ZONE	REV	DESCRIPTION	DATE	APPROVED
	-	Production Release	10/3/2019	CD Morland

NOTES:

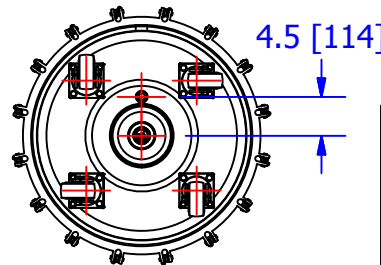
- 1.0 MATERIAL: 316L SS WETTED SURFACES
- 2.0 WORK VOLUME: 100 L [26.4 GALLONS]
- 3.0 THE DRAIN PORT: 1.5" TRI-CLAMP
- 3.0 THE PROCESS VESSEL MUST BE JACKETED ON THE OUTSIDE, JACKET MATERIAL: 304 SS
- 4.0 INTERNAL WETTED SURFACES ARE 16 RA FINISH; EXTERNAL EXPOSED SURFACES ARE 25 RA FINISHED.
- 5.0 ALL SURFACES ARE TO BE ELECTRO-POLISHED AND PASSIVATED.
- 6.0 GASKET MATERIAL: EPDM
- 7.0 THE WORKING DESIGN PRESSURE IS 100 PSI [6.8 BAR] @ 250°F [121°C]
- 8.0 JACKET HAS BAFFLES TO ENSURE FLUID CIRCULATES EVENLY AROUND THE PROCESS FLUID VESSEL.
- 9.0 THE JACKET FLUID IS REFRIGERATION COOLANT, INLET/OUTLET PORT: 3/4" NPT
- 10.0 THE JACKET DESIGN PRESSURE IS 100 PSI @ 250 °F [121 °C]
- 11.0 TOP COVER PORTS:
TWO 1.5" TRI-CLAMP
ONE 3" TRI CLAMP
ONE 4" TRI-CLAMP
- 12.0 FOUR LEGS ARE WELDED FOR SUPPORT W/CASTERS.



SECTION D-D
SCALE 0.045 : 1



DETAIL E
SCALE 0.12 : 1



DRAWN YA Zanki	10/3/2019
CHECKED OS AHMED	10/3/2019
APPROVED CD Morland	10/3/2019

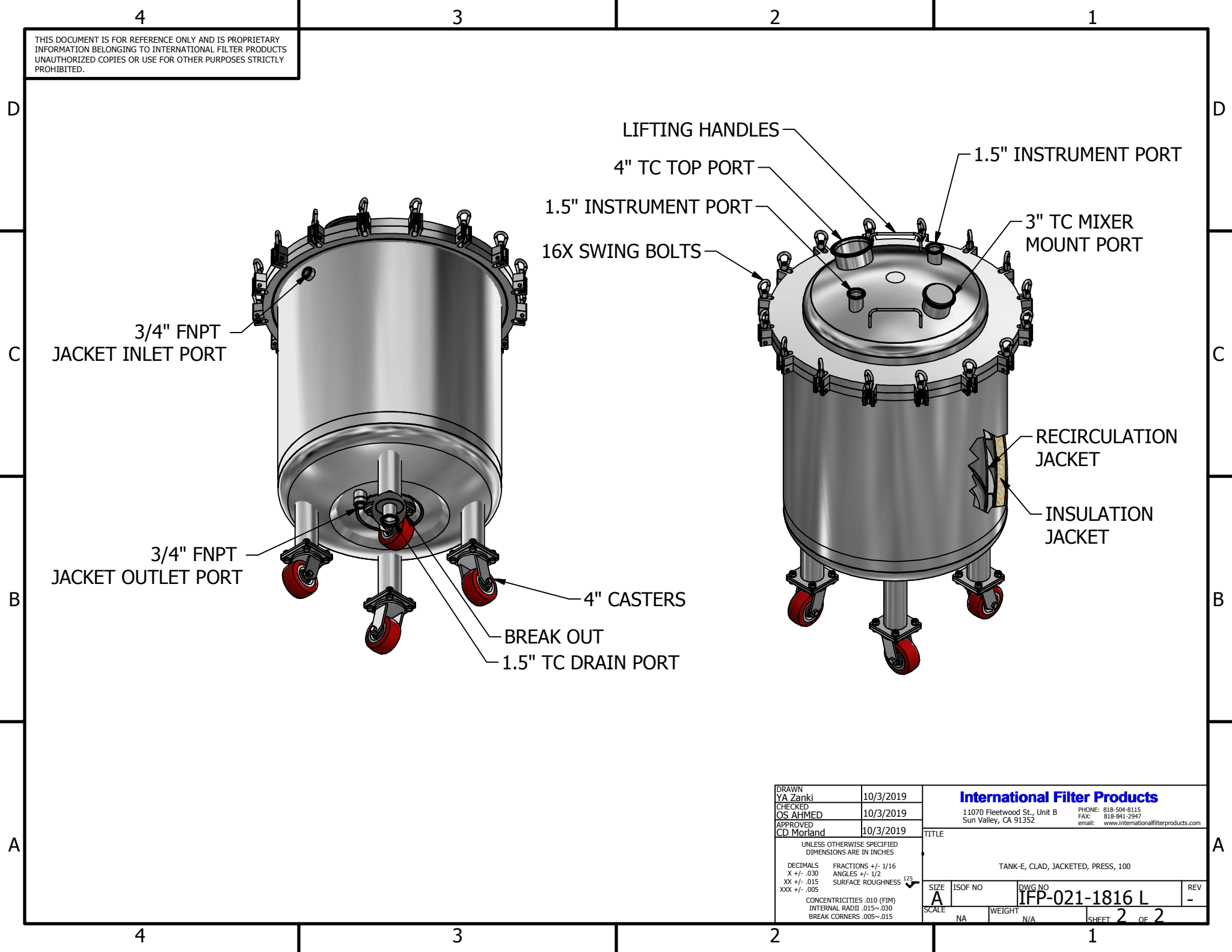
International Filter Products

11070 Fleetwood St., Unit B
Sun Valley, CA 91352
PHONE: 818-504-8115
FAX: 818-841-2947
email: www.internationalfilterproducts.com

UNLESS OTHERWISE SPECIFIED
DIMENSIONS ARE IN INCHES
DECIMALS FRACTIONS +/- 1/16
X +/- .030 ANGLES +/- 1/2
XX +/- .015 SURFACE ROUGHNESS 125
XXX +/- .005
CONCENTRICITIES .010 (FIM)
INTERNAL RADII .015~.030
BREAK CORNERS .005~.015

TITILE			
TANK-E, CLAD, JACKETED, PRESS, 100			
SIZE A	ISOF NO	DWG NO IFP-021-1813	REV -
SCALE N/A	WEIGHT N/A	SHEET 1 OF 2	

THIS DOCUMENT IS FOR REFERENCE ONLY AND IS PROPRIETARY INFORMATION BELONGING TO INTERNATIONAL FILTER PRODUCTS UNAUTHORIZED COPIES OR USE FOR OTHER PURPOSES STRICTLY PROHIBITED.



DRAWN YA Zanki CHECKED OS AHMED APPROVED CD Morland	10/3/2019 10/3/2019 10/3/2019	International Filter Products 11070 Fleetwood St., Unit B Sun Valley, CA 91352 PHONE: 818-504-8115 FAX: 818-841-2947 email: www.internationalfilterproducts.com	
UNLESS OTHERWISE SPECIFIED DIMENSIONS ARE IN INCHES DECIMALS FRACTIONS +/- 1/16 X +/- .030 ANGLES +/- 1/2 XX +/- .015 SURFACE ROUGHNESS 125 XXX +/- .005 CONCENTRICITIES .010 (FIM) INTERNAL RADII .015~.030 BREAK CORNERS .005~.015		TITLE TANK-E, CLAD, JACKETED, PRESS, 100	
SIZE A SCALE NA	ISOF NO WEIGHT N/A	DWG NO IFP-021-1816 L	REV - SHEET 2 OF 2