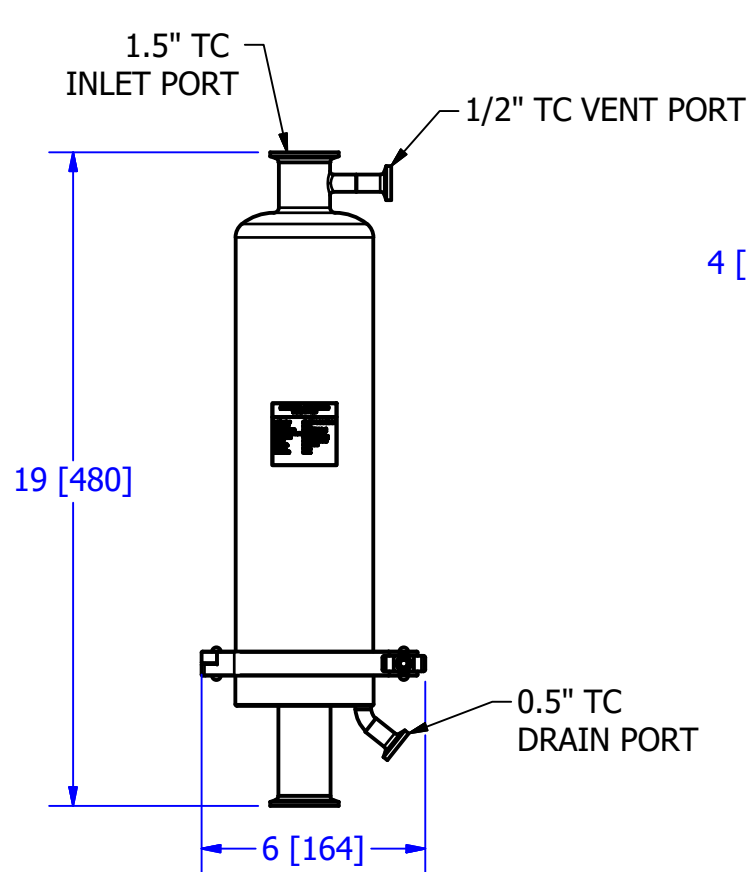
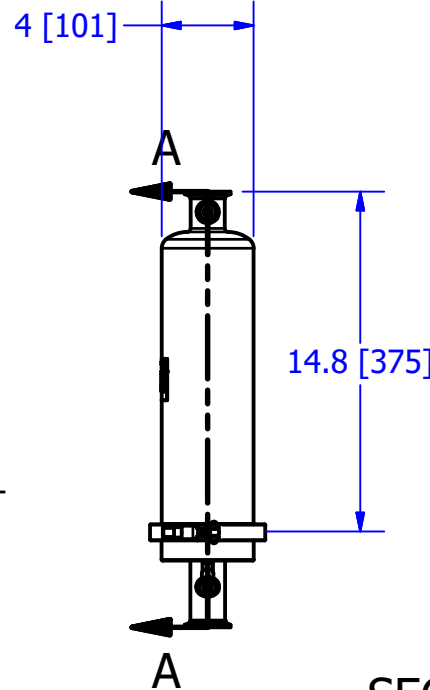
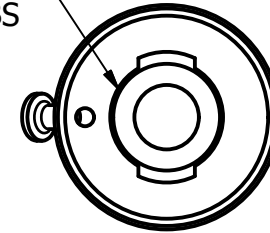


THIS DOCUMENT IS FOR REFERENCE ONLY AND IS PROPRIETARY INFORMATION BELONGING TO INTERNATIONAL FILTER PRODUCTS UNAUTHORIZED COPIES OR USE FOR OTHER PURPOSES STRICTLY PROHIBITED.

REVISIONS				
ZONE	REV	DESCRIPTION	DATE	APPROVED
	-	PRODUCTION RELEASE	7/16/2019	CD Moland



226 CARTRIDGE SLOT WITH LOCK TABS



SECTION A-A
SCALE 0.12 : 1



NOTES:

- 1.0 DESIGN PRESSURE 125 PSI [8.5 BAR] @ 212 °F [100 °C]
- 2.0 FINISH INTERNAL: 11 RA; EXTERNAL 25 RA
- 3.0 UNIT IS DESIGNED TO ACCEPT FILTER CARTRIDGE:
 - (1) 2.75 DIA., 10" LONG 226 O-RING FILTER CARTRIDGE W/FIN
- 4.0 FILTER HOUSING IS DESIGNED AND BUILT PER ASME 2010 DIVISION I SECTION VIII
- 5.0 SEAL MATERIAL: SILICONE

DRAWN ONYX A	4/1/2020
CHECKED YA Zanki	4/5/2021
APPROVED CD Moland	4/5/2021

International Filter Products
7914 Ajay Dr. PHONE: 818-504-8115
Sun Valley, CA 91352 FAX: 818-941-2947
email: www.internationalfilterproducts.com

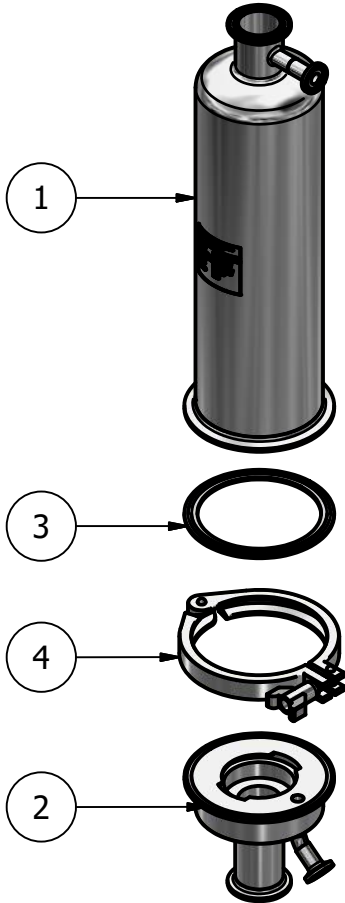
UNLESS OTHERWISE SPECIFIED
DIMENSIONS ARE IN INCHES

DECIMALS	FRACTIONS +/- 1/16
X +/- .030	ANGLES +/- 1/2
XX +/- .015	SURFACE ROUGHNESS 125
XXX +/- .005	

CONCENTRICITIES .010 (FIM)
INTERNAL RADII .015~.030
BREAK CORNERS .005~.015

TITLE			
HOUSING, 10 INCH, SSSH IN-LINE, TC			
SIZE A	ISOF NO	DWG NO 01-0212-1-2-226-2	REV -
SCALE NA	WEIGHT N/A	SHEET 1 OF 2	

THIS DOCUMENT IS FOR REFERENCE ONLY AND IS PROPRIETARY INFORMATION BELONGING TO INTERNATIONAL FILTER PRODUCTS UNAUTHORIZED COPIES OR USE FOR OTHER PURPOSES STRICTLY PROHIBITED.



STANDARD SEAL KITS	
PART NUMBER	DESCRIPTION
IFP-091-0001	SEALS, SSSH, SILICONE, KIT
IFP-091-0002	SEALS, SSSH, EPDM, KIT
IFP-091-0003	SEALS, SSSH, BUNA, KIT
IFP-091-0004	SEALS, SSSH, PTFE, KIT
IFP-091-0005	SEALS, SSSH, VITON, KIT

4	1	IFP-10E-0005	CLAMP, TC, 4.0 INCH
3	1	IFP-09T-0106	SEAL, TC, 4.0 INCH, SILICONE
2	1	IFP-02D-0206	HOUSING, BASE, SSSH, IN-LINE
1	1	IFP-02D-0213	HOUSING, 10L DOME, 0.5 TC VENT, SSSH, T-TYPE
ITEM	QTY	PART NUMBER	DESCRIPTION

BILL OF MATERIALS

DRAWN ONYX A CHECKED YA Zanki APPROVED CD Moland	4/1/2020 4/5/2021 4/5/2021	International Filter Products 7914 Ajay Dr. Sun Valley, CA 91352 PHONE: 818-504-8115 FAX: 818-841-2947 email: www.internationalfilterproducts.com	TITLE HOUSING, 10 INCH, SSSH IN-LINE, TC
UNLESS OTHERWISE SPECIFIED DIMENSIONS ARE IN INCHES DECIMALS FRACTIONS +/- 1/16 X +/- .030 ANGLES +/- 1/2 XX +/- .015 SURFACE ROUGHNESS 125 XXX +/- .005 CONCENTRICITIES .010 (FIM) INTERNAL RADII .015~.030 BREAK CORNERS .005~.015		SIZE A	ISOF NO DWG NO 01-0212-1-2-226-2
SCALE	NA	WEIGHT	N/A
SHEET		2 OF 2	