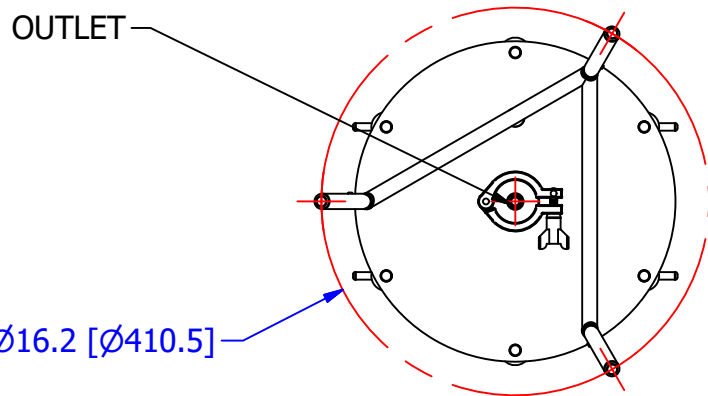
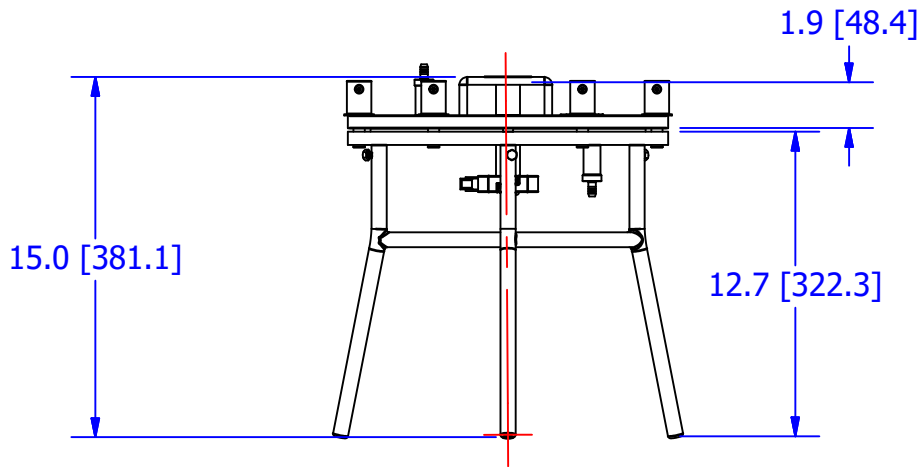
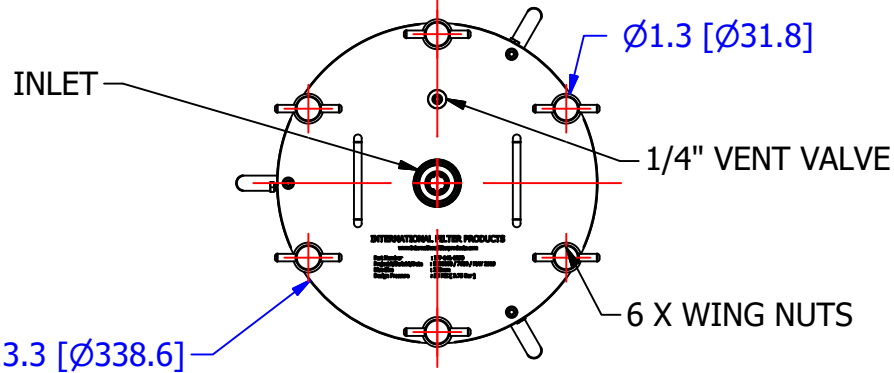
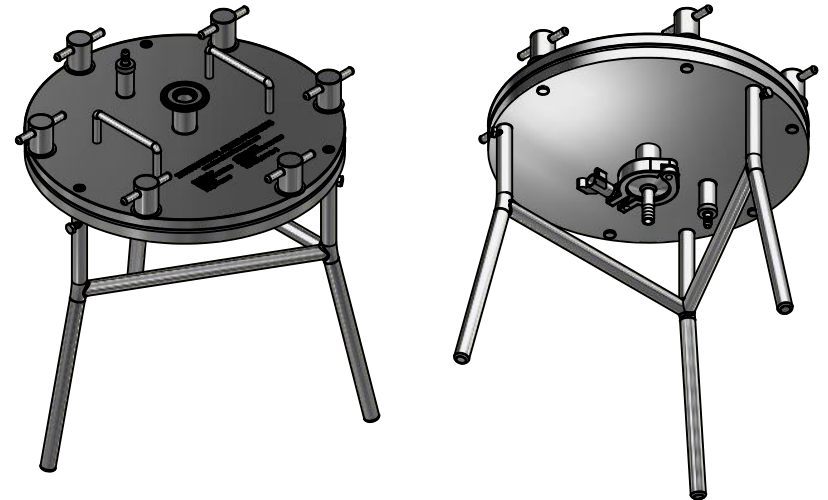


THIS DOCUMENT IS FOR REFERENCE ONLY AND IS PROPRIETARY INFORMATION BELONGING TO INTERNATIONAL FILTER PRODUCTS UNAUTHORIZED COPIES OR USE FOR OTHER PURPOSES STRICTLY PROHIBITED.

REVISIONS				
ZONE	REV	DESCRIPTION	DATE	APPROVED
	A	Sales Drawing	12/19/2019	CD MORLAND



- NOTES:
- 1.0 ALL WETTED SURFACES ARE: 316 L
 - 2.0 INTERNAL SURFACE FINISH IS 25 RA; EXTERNAL 32 RA
 - 3.0 FILTER DISC HOLDER DESIGNED FOR 55 PSI [3.75 BAR] @ 212 °F [100 °C].
 - 4.0 FILTER DISC USED: 293 MM
FILTER MEDIA SHEET: MEMBRANES & PP FIBROUS
 - 5.0 FILTER AREA: 104.5 IN²; [674.2 CM²]
 - 6.0 INLET AND OUTLET PORTS: 1/2" HOSE BARB
 - 7.0 DOME SEAL MATERIAL: SILICONE
 - 8.0 HOUSING IS DESIGNED TO BE STEAM STERILIZED @ at 259 °F [126 °C] FOR 60 MIN.



DRAWN ONYX S A CHECKED YA ZANKI APPROVED CD MORLAND	7/26/2019 12/19/2019 12/19/2019	International Filter Products 11070 Fleetwood St., Unit B Sun Valley, CA 91352 PHONE: 818-504-8115 FAX: 818-841-2947 email: www.internationalfilterproducts.com	TITLE DISC HOLDER, 293MM, 316L SS
UNLESS OTHERWISE SPECIFIED DIMENSIONS ARE IN INCHES DECIMALS FRACTIONS +/- 1/16 X +/- .030 ANGLES +/- 1/2 XX +/- .015 SURFACE ROUGHNESS 125 XXX +/- .005 CONCENTRICITIES .010 (FIM) INTERNAL RADII .015~.030 BREAK CORNERS .005~.015		SIZE A	ISOF NO DWG NO IFP-141-1293 REV A
SCALE	NA	WEIGHT	N/A
SHEET		1 OF 3	

4

3

2

1

THIS DOCUMENT IS FOR REFERENCE ONLY AND IS PROPRIETARY INFORMATION BELONGING TO INTERNATIONAL FILTER PRODUCTS UNAUTHORIZED COPIES OR USE FOR OTHER PURPOSES STRICTLY PROHIBITED.

REVISIONS				
ZONE	REV	DESCRIPTION	DATE	APPROVED
	A	Sales Drawing	12/19/2019	CD MORLAND

D

D

C

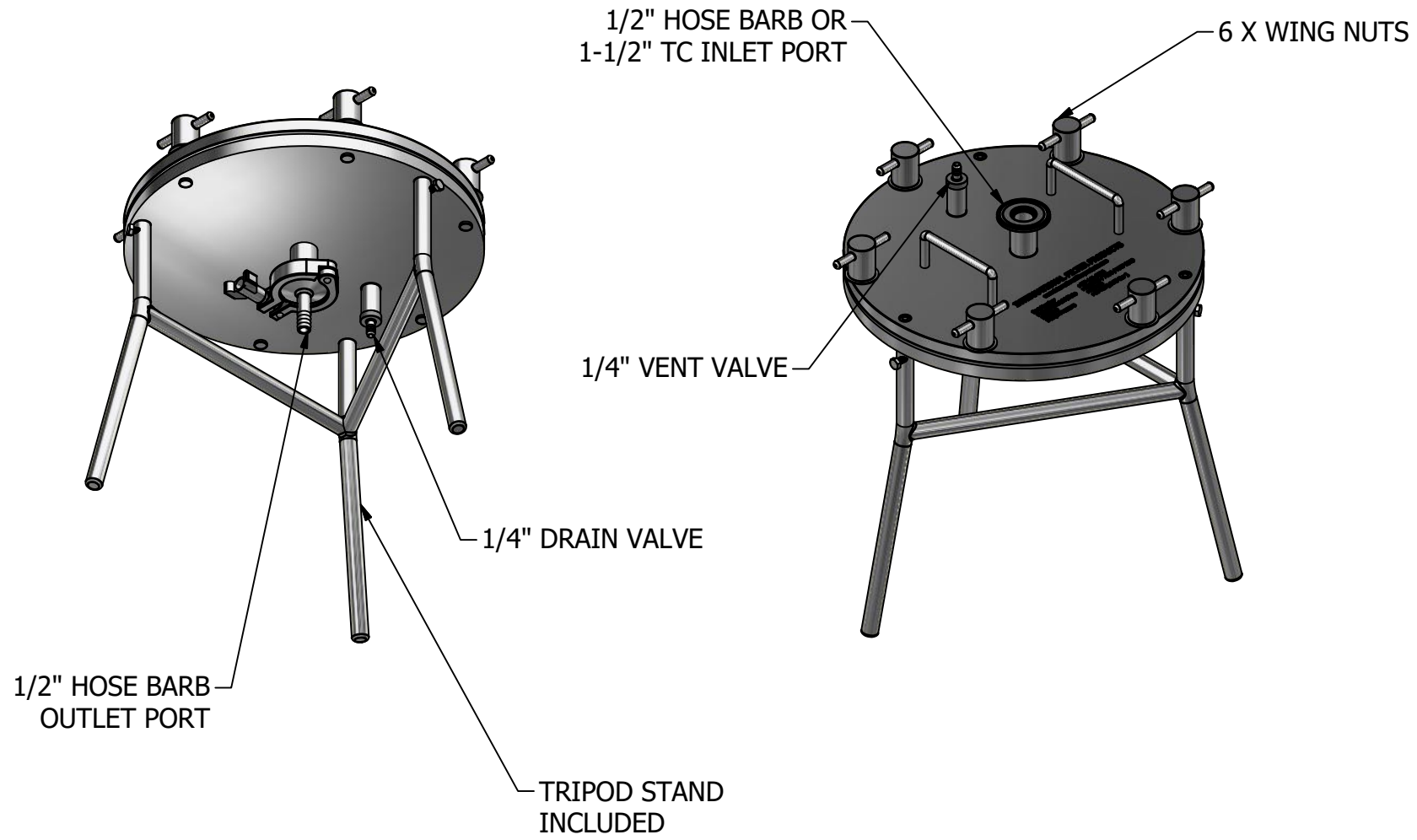
C

B

B

A

A



DRAWN ONYX S A	7/26/2019
CHECKED YA ZANKI	12/19/2019
APPROVED CD MORLAND	12/19/2019

International Filter Products
 11070 Fleetwood St., Unit B PHONE: 818-504-8115
 Sun Valley, CA 91352 FAX: 818-841-2947
 email: www.internationalfilterproducts.com

UNLESS OTHERWISE SPECIFIED
 DIMENSIONS ARE IN INCHES

DECIMALS FRACTIONS +/- 1/16
 X +/- .030 ANGLES +/- 1/2
 XX +/- .015 SURFACE ROUGHNESS 125
 XXX +/- .005

CONCENTRICITIES .010 (FIM)
 INTERNAL RADII .015~.030
 BREAK CORNERS .005~.015

TITLE DISC HOLDER, 293MM, 316L SS			
SIZE A	ISOF NO	DWG NO IFP-141-1293	REV A
SCALE NA	WEIGHT N/A	SHEET 2 OF 3	

4

3

2

1