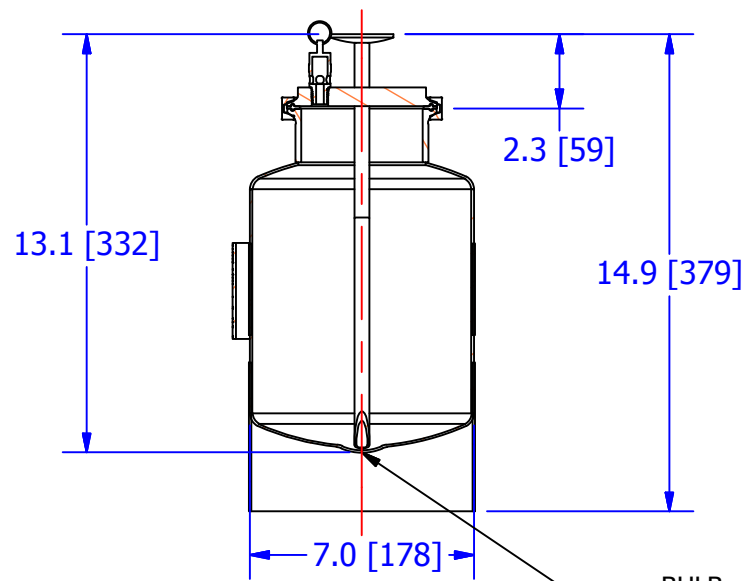
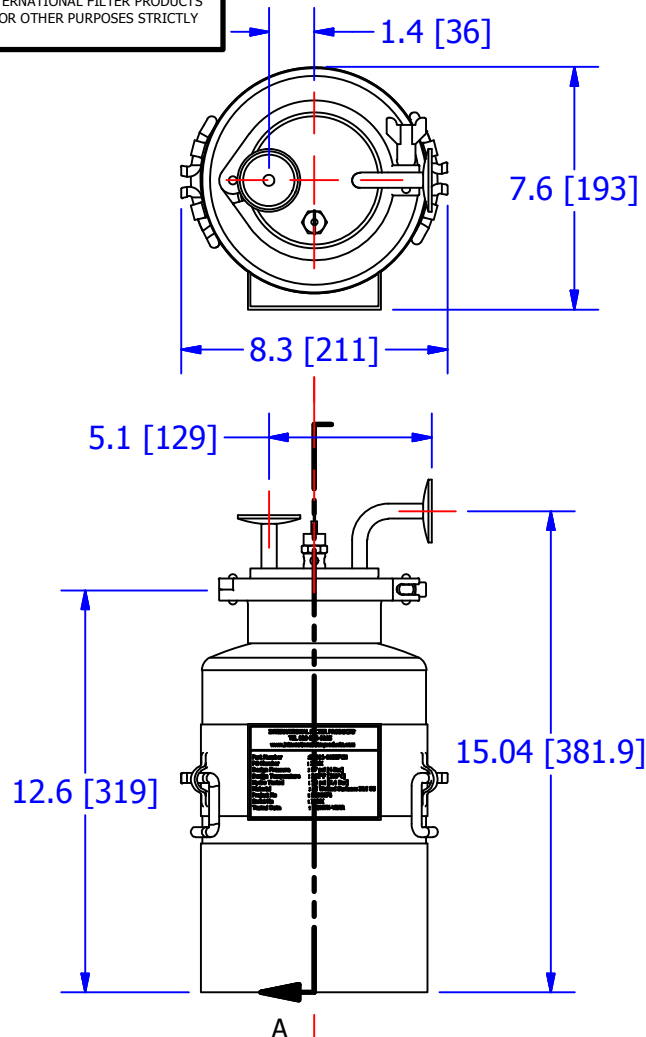


THIS DOCUMENT IS FOR REFERENCE ONLY AND IS PROPRIETARY INFORMATION BELONGING TO INTERNATIONAL FILTER PRODUCTS UNAUTHORIZED COPIES OR USE FOR OTHER PURPOSES STRICTLY PROHIBITED.

REVISIONS				
ZONE	REV	DESCRIPTION	DATE	APPROVED
	-	SALES DRAWING	7/16/2019	CD Morland



SECTION A-A
SCALE 1 / 6

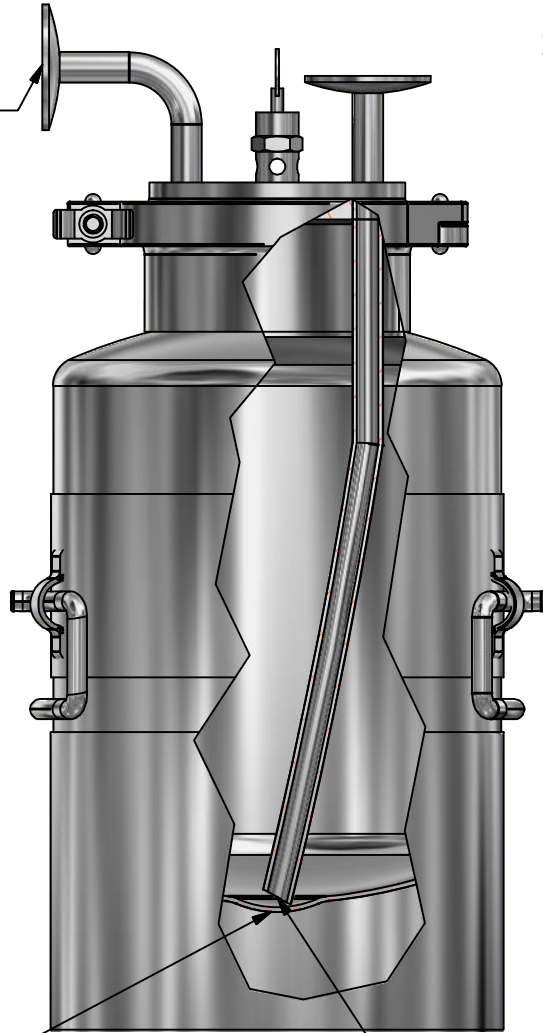
- NOTES:
- 1.0 ALL WETTED SURFACES ARE: 316 L SS
 - 2.0 INTERNAL SURFACE FINISH IS 16 RA; EXTERNAL 25 RA
 - 3.0 PRESSURE POT DESIGNED FOR 78 PSI [5.4 BAR] @ 212 °F [100 °C].
 - 4.0 PRESSURE POT WORKING VOLUME: 5L
 - 5.0 INLET AND OUTLET PORTS: 1 INCH TRI-CLAMP
 - 6.0 DOME SEAL MATERIAL: EPDM
 - 7.0 HOUSING IS DESIGNED TO BE STEAM STERILIZED @ at 270 °F [132 °C] FOR 30 MIN.

DRAWN MKC Capati		9/6/2019		International Filter Products 7914 Ajay Dr. PHONE: 818-504-8115 Sun Valley, CA 91352 FAX: 818-941-2947 email: www.internationalfilterproducts.com	
CHECKED YA Zanki		9/6/2019			
APPROVED CD Morland		9/6/2019			
<small>UNLESS OTHERWISE SPECIFIED DIMENSIONS ARE IN INCHES</small> DECIMALS FRACTIONS +/- 1/16 X +/- .030 ANGLES +/- 1/2 XX +/- .015 SURFACE ROUGHNESS 125 XXX +/- .005 CONCENTRICITIES .010 (FIM) INTERNAL RADII .015~.030 BREAK CORNERS .005~.015				TITLE PRESSURE POT, 5L, 316L SS	
SIZE A	ISOF NO	DWG NO IFP-021-1105	REV -	SCALE NA WEIGHT 15,314 lbmass SHEET 1 OF 3	

THIS DOCUMENT IS FOR REFERENCE ONLY AND IS PROPRIETARY INFORMATION BELONGING TO INTERNATIONAL FILTER PRODUCTS UNAUTHORIZED COPIES OR USE FOR OTHER PURPOSES STRICTLY PROHIBITED.

REVISIONS				
ZONE	REV	DESCRIPTION	DATE	APPROVED
	-	SALES DRAWING	7/16/2019	CD Morland

1" SANITARY TRI-CLAMP INLET



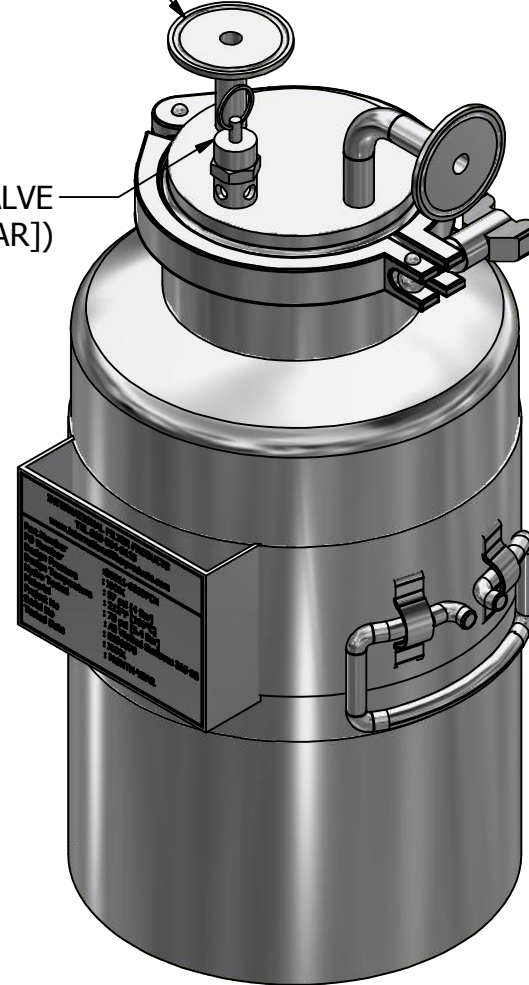
BULB

DIP TUBE
(ASSIST WITH LIQUID EXTRACTION)

1" SANITARY TRI-CLAMP OUTLET

PRESSURE RELIEF VALVE
(SET @ 30 PSI [2 BAR])

4" TC CLAMP



DRAWN	MKC Capati	9/6/2019
CHECKED	YA Zanki	9/6/2019
APPROVED	CD Morland	9/6/2019

International Filter Products

7914 Ajay Dr. PHONE: 818-504-8115
Sun Valley, CA 91352 FAX: 818-941-2947
email: www.internationalfilterproducts.com

UNLESS OTHERWISE SPECIFIED
DIMENSIONS ARE IN INCHES

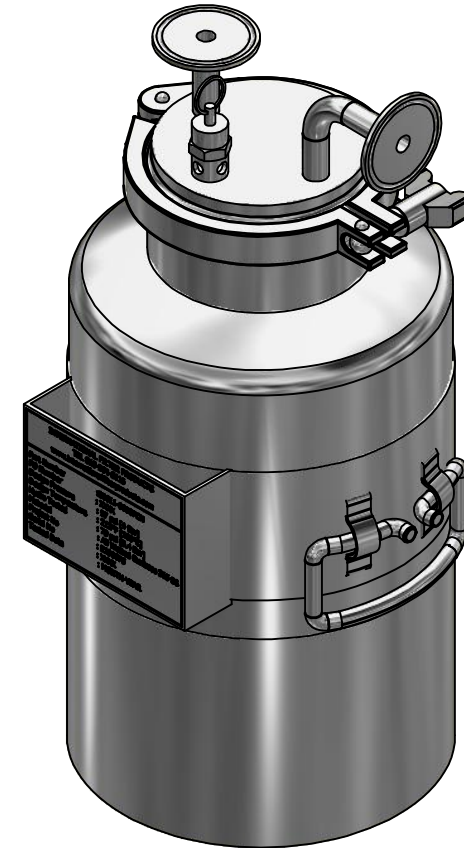
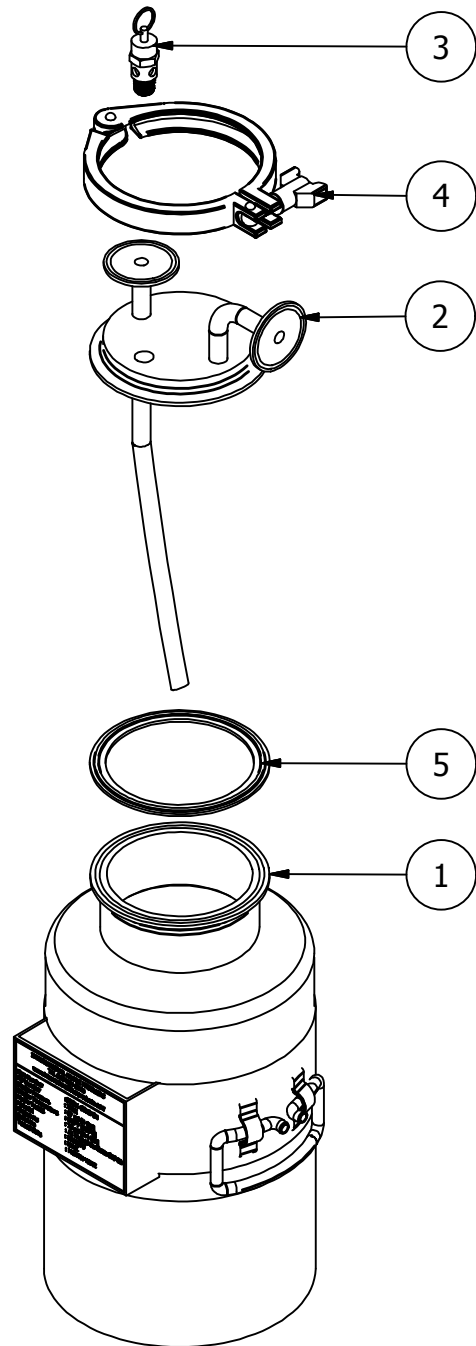
DECIMALS	FRACTIONS +/- 1/16
X +/- .030	ANGLES +/- 1/2
XX +/- .015	SURFACE ROUGHNESS 125
XXX +/- .005	

CONCENTRICITIES .010 (FIM)
INTERNAL RADII .015~.030
BREAK CORNERS .005~.015

TITLE			
PRESSURE POT, 5L, 316L SS			
SIZE	ISOF NO	DWG NO	REV
A		IFP-021-1105	-
SCALE	WEIGHT	SHEET	OF
NA	15.314 lbmass	2	3

THIS DOCUMENT IS FOR REFERENCE ONLY AND IS PROPRIETARY INFORMATION BELONGING TO INTERNATIONAL FILTER PRODUCTS UNAUTHORIZED COPIES OR USE FOR OTHER PURPOSES STRICTLY PROHIBITED.

REVISIONS				
ZONE	REV	DESCRIPTION	DATE	APPROVED
	-	SALES DRAWING	7/16/2019	CD Morland



ITEM	QTY	PART NUMBER	DESCRIPTION
5	1	IFP-09U-0106	SEAL, TC, 4.0 INCH, EPDM
4	1	IFP-10E-0005	CLAMP, TC, 4.0 INCH
3	1	IFP-02E-1104	RELIEF VALVE, BSP PIPE THREAD, 0.25 INCH
2	1	IFP-021-1101	COVER, PRESS POT, 5L, 316L SS
1	1	IFP-021-1100	BASE, PRESS POT, 5L, 316L SS

BILL OF MATERIALS			
DRAWN MKC Capati		9/6/2019	
CHECKED YA Zanki		9/6/2019	
APPROVED CD Morland		9/6/2019	
<small>UNLESS OTHERWISE SPECIFIED DIMENSIONS ARE IN INCHES</small> DECIMALS FRACTIONS +/- 1/16 X +/- .030 ANGLES +/- 1/2 XX +/- .015 SURFACE ROUGHNESS 125 XXX +/- .005 CONCENTRICITIES .010 (FIM) INTERNAL RADII .015~.030 BREAK CORNERS .005~.015		International Filter Products 7914 Ajay Dr. PHONE: 818-504-8115 Sun Valley, CA 91352 FAX: 818-841-2947 email: www.internationalfilterproducts.com	
TITLE PRESSURE POT, 5L, 316L SS			
SIZE A	ISOF NO	DWG NO IFP-021-1105	REV -
SCALE NA	WEIGHT 15,314 lbmass	SHEET 3 OF 3	