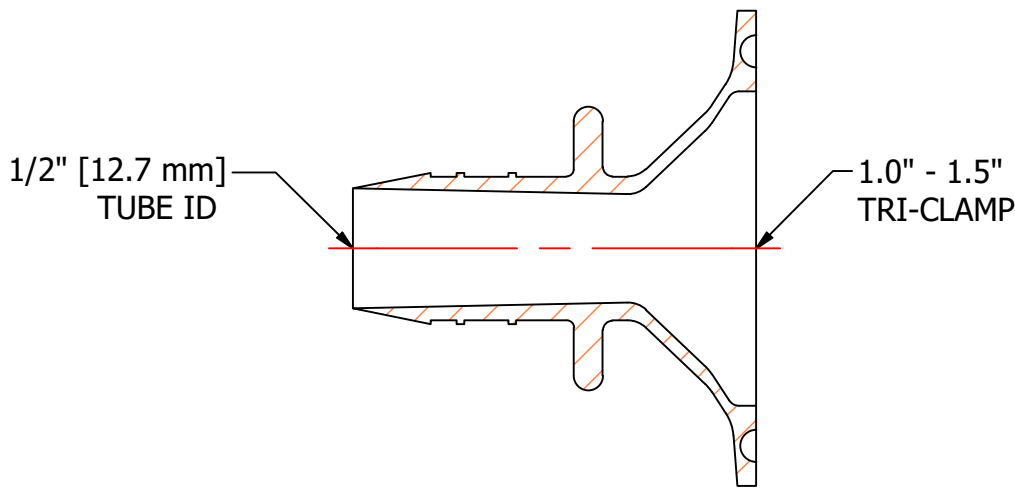
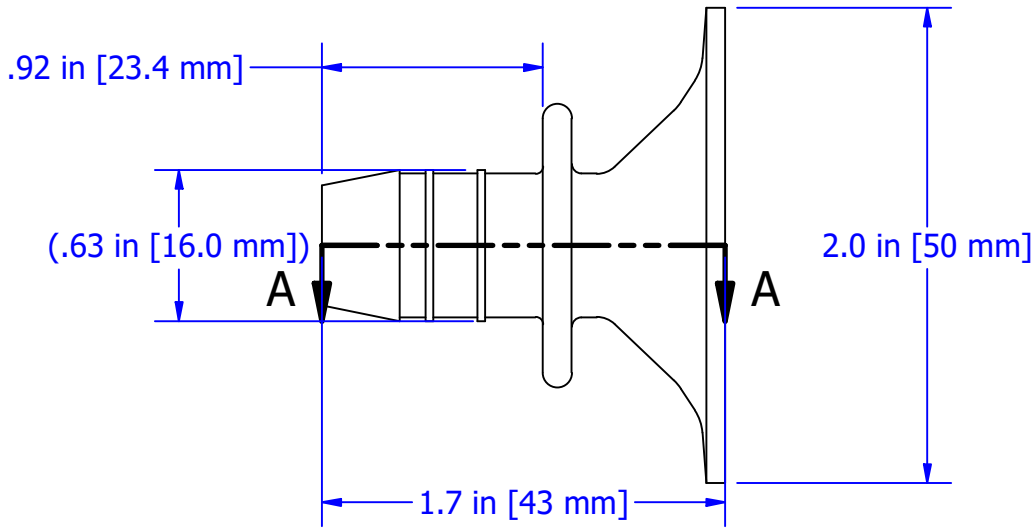
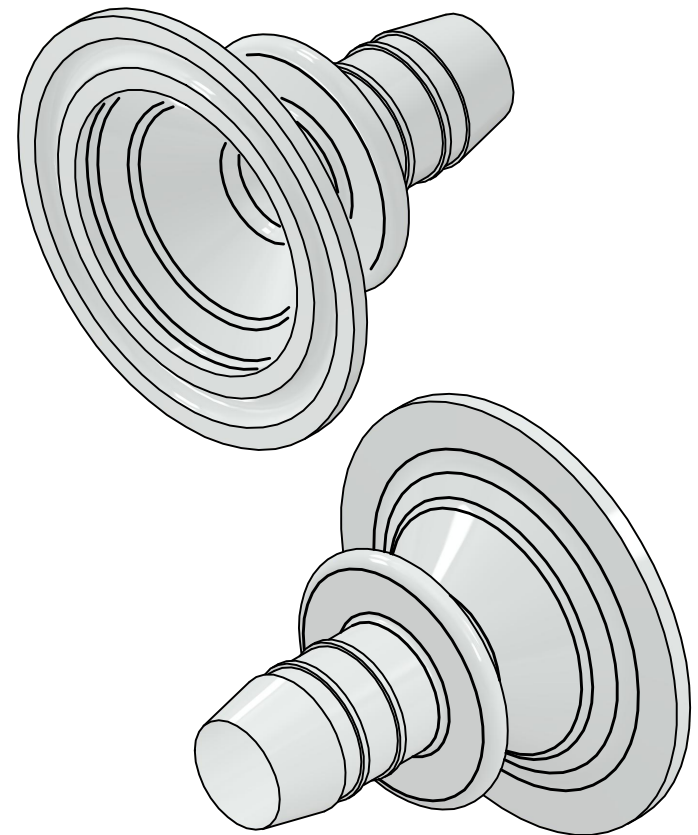


THIS DOCUMENT IS FOR REFERENCE ONLY AND IS PROPRIETARY INFORMATION BELONGING TO INTERNATIONAL FILTER PRODUCTS UNAUTHORIZED COPIES OR USE FOR OTHER PURPOSES STRICTLY PROHIBITED.

REVISIONS				
ZONE	REV	DESCRIPTION	DATE	APPROVED
	-	SALES DRAWINGS	10/28/2022	YA ZANKI



SECTION A-A
SCALE 1 : 0.8



- NOTE:
- 1.0 Material: Polypropylene
 - 2.0 Can be Sterilized by Gamma Radiation
 - 3.0 Max. Working Pressure @ 200 °F (93.3 °C): 100 PSI
 - 4.0 Max. Working Pressure @ 72 °F (22.2 °C): 250 PSI
 - 5.0 Max. Working Temperature: 200 °F (93.3 °C)
 - 6.0 Manufactured and Packaged in a Certified Clean Room
 - 7.0 Regulatory Information is Found in Catalog

DRAWN NV GABRIEL CHECKED YA ZANKI APPROVED YA ZANKI	10/7/2022 10/28/2022 10/28/2022	International Filter Products 7914 AJAY DRIVE SUN VALLEY, CA 91352 PHONE: 818-504-8115 FAX: 818-841-2947 email: charlie@internationalfilterproducts.com	TITLE FITTING, TC TO HB, dd 1.31 in _ ID 0.50 in, PP
UNLESS OTHERWISE SPECIFIED DIMENSIONS ARE IN INCHES DECIMALS FRACTIONS +/- 1/16 X +/- .030 ANGLES +/- 1/2 XX +/- .015 SURFACE ROUGHNESS 125 XXX +/- .005 CONCENTRICITIES .010 (FIM) INTERNAL RADII .015~.030 BREAK CORNERS .005~.015		SIZE A	ISOF NO DWG NO PFLS500PPAF
SCALE	WEIGHT	SHEET	REV
NA	0.013 lbmass	1 OF 1	-