

Series SSSH

Sanitary Stainless Steel Housing

APPLICATIONS:

- ◇ Beverages
- ◇ Biologics
- ◇ Electronics
- ◇ Tank Vents
- ◇ Process Water
- ◇ Fine Chemicals
- ◇ High Purity Water
- ◇ Serums
- ◇ Beverages
- ◇ Pharmaceuticals

Features:

- ◇ Aseptic Design
- ◇ Electro-Polished
- ◇ Cartridge Stop
- ◇ Maximize Product Recovery
- ◇ Easy to use low point drain valve

Benefits:

- ◇ Removable for Cleanability
- ◇ Ease of filter change-out
- ◇ Fully Self draining
- ◇ No Dead Legs



SANITARY STAINLESS STEEL HOUSING

The Single Element Sanitary Stainless Steel Housings are designed for High Purity applications. In-Line and T-Style housings are available to meet your process specifications.

The housings are constructed of 316L stainless steel and are designed to meet the requirements of the Chemical, Food and Beverage Industry. The housing is available in sizes from 5 inch to 40 inch to meet the flow rate requirements of your application.

You can choose from either 222 or 226 O-ring style, with machined cartridge connections. The design of the housing provides for a positive seal with filters thereby preventing fluid bypass. The machined seat plate provides lower pressure drops in air & gas applications. Machined seat plates also insure easier cleanability and no hold volume as with seat cups. The housing is sealed by means of a Tri-clamp that requires no special tools to open or close.

Series SSSH

Sanitary Stainless Steel Housing

ELEMENT LENGTH	"A" DIMENSION
5.0 "	248 mm
10.0 "	375 mm
20.0 "	629 mm
30.0 "	883 mm
40.0 "	1137 mm

Materials of Construction:

Head:	316L Stainless Steel
Bowl:	316L Stainless Steel
Clamp:	304 Stainless Steel
Legs:	304 Stainless Steel
Vent/ Drain:	316L Stainless Steel
O-Rings:	Silicone, EPDM, Buna N, or Kalrez

Cartridge Dimension (nominal)

Lengths (in) 5, 10, 20, 30 and 40

Connections:

Inlet/ Outlet: 1.0" or 1.5" Sanitary Flange
 Vent/ Drain: 1/4" valve w hose barb or 1/2" TC

Finish:

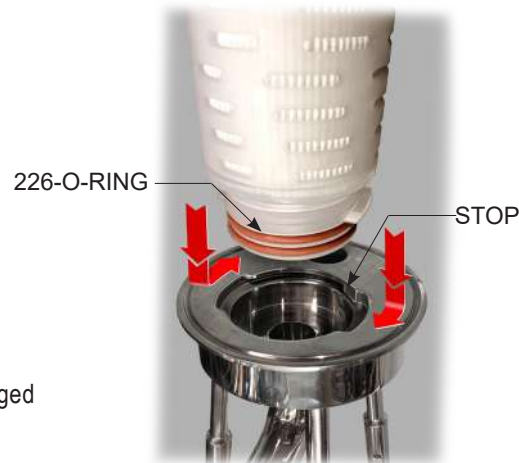
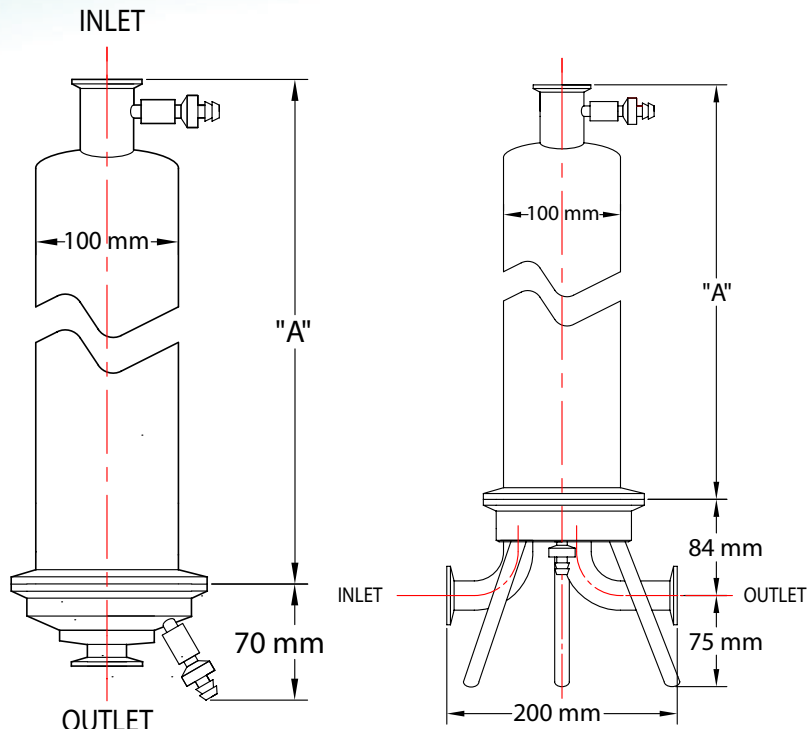
Internal Surfaces: Electro-Polished < 12 RA
 External Surfaces: Electro-Polished < 20 RA

Operating Conditions:

Max Operating Pressure, 125 PSI (10 Bar) @212 F (100 C)

Cleaned & Packaged:

Cleaned per specification NAS 1638, Class 5 on a Class 100 flow bench and packaged



NOMENCLATURE PART NUMBER EXAMPLE: 01-0210-A-1-222-1-1-G-C

Housing Style	Style #	Element Length	Inlet/Outlet	O'Ring	Vent/Drain	Seal	Inlet/Outlet	Inlet/Outlet
	XX-XXXX	-X	-X	-X	-X	-X	-X	-X
T-Style	01-0210	A = 5.0"	1 = 1.0" TC	222 = 222	1 = 1/4" Valve	1 = Silicone	0 = Blank	Blank=No Cleaning
In-Line	01-0212	1 = 10.0"	2 = 1.5" TC	226 = 226	2 = 1/2" TC	2 = EPDM	G = Pressure Gage	C = Cleaning
		2 = 20.0"				3 = FDA,Buna N	GG = Pressure Gage + Gauge Guard	
		3 = 30.0"				4 = Kalrez		
		4 = 40.0"						