

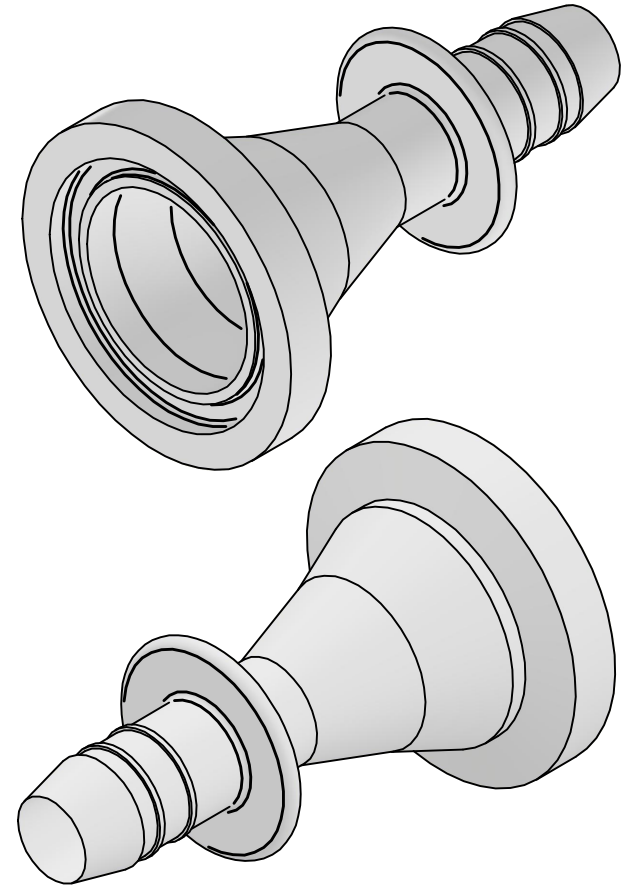
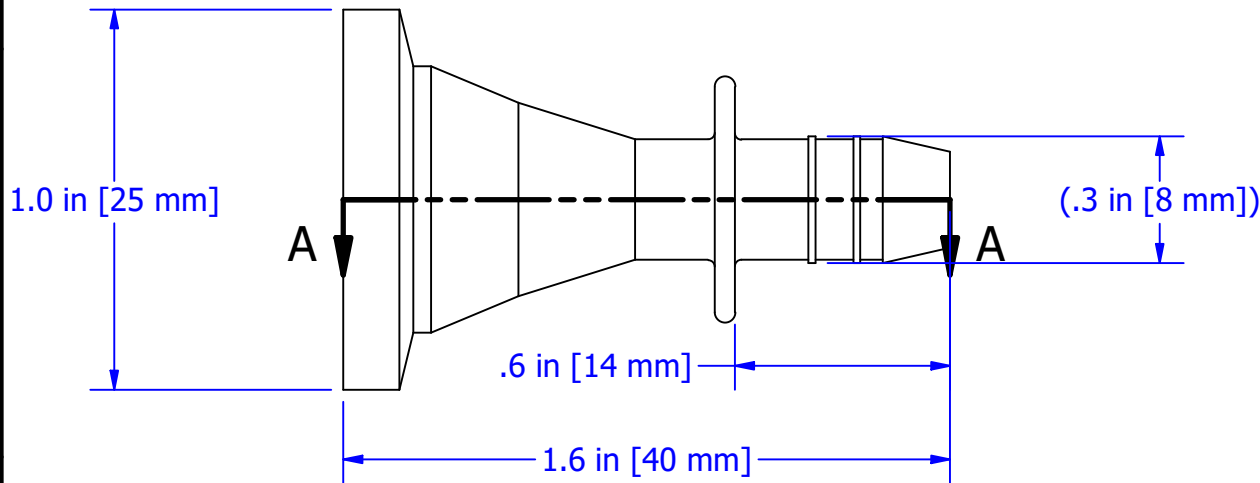
THIS DOCUMENT IS FOR REFERENCE ONLY AND IS PROPRIETARY INFORMATION BELONGING TO INTERNATIONAL FILTER PRODUCTS UNAUTHORIZED COPIES OR USE FOR OTHER PURPOSES STRICTLY PROHIBITED.

REVISIONS				
ZONE	REV	DESCRIPTION	DATE	APPROVED
	-	SALES DRAWING	10/28/2022	YA ZANKI

0.50"-0.75"
MINI TRI-CLAMP

1/4" [6.4 mm]
TUBE ID

SECTION A-A
SCALE 1 : 0.5



NOTE:

- 1.0 Material: Polypropylene
- 2.0 Can be Sterilized by Gamma Radiation
- 3.0 Max. Working Pressure @ 200 °F (93.3 °C): 100 PSI
- 4.0 Max. Working Pressure @ 72 °F (22.2 °C): 250 PSI
- 5.0 Max. Working Temperature: 200 °F (93.3 °C)
- 6.0 Manufactured and Packaged in a Certified Clean Room
- 7.0 Regulatory Information is Found in Catalog

DRAWN NV GABRIEL	10/7/2022
CHECKED YA ZANKI	10/28/2022
APPROVED YA ZANKI	10/28/2022

International Filter Products
7914 AJAY DRIVE
SUN VALLEY, CA 91352
PHONE: 818-504-8115
FAX: 818-841-2947
email: charlie@internationalfilterproducts.com

UNLESS OTHERWISE SPECIFIED
DIMENSIONS ARE IN INCHES

DECIMALS	FRACTIONS +/- 1/16
X +/- .030	ANGLES +/- 1/2
XX +/- .015	SURFACE ROUGHNESS 125
XXX +/- .005	

CONCENTRICITIES .010 (FIM)
INTERNAL RADII .015~.030
BREAK CORNERS .005~.015

TITLE FITTING, MINI TC TO HB, 0.25 in ID, PP			
SIZE A	ISOF NO	DWG NO PFMS250PPAF	REV -
SCALE NA	WEIGHT 0.005 lbmass	SHEET 1	OF 1