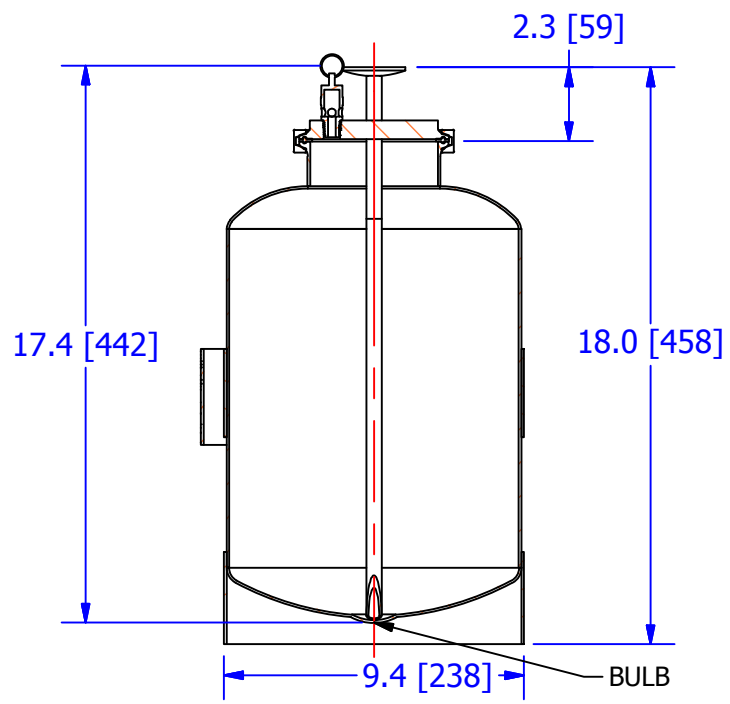
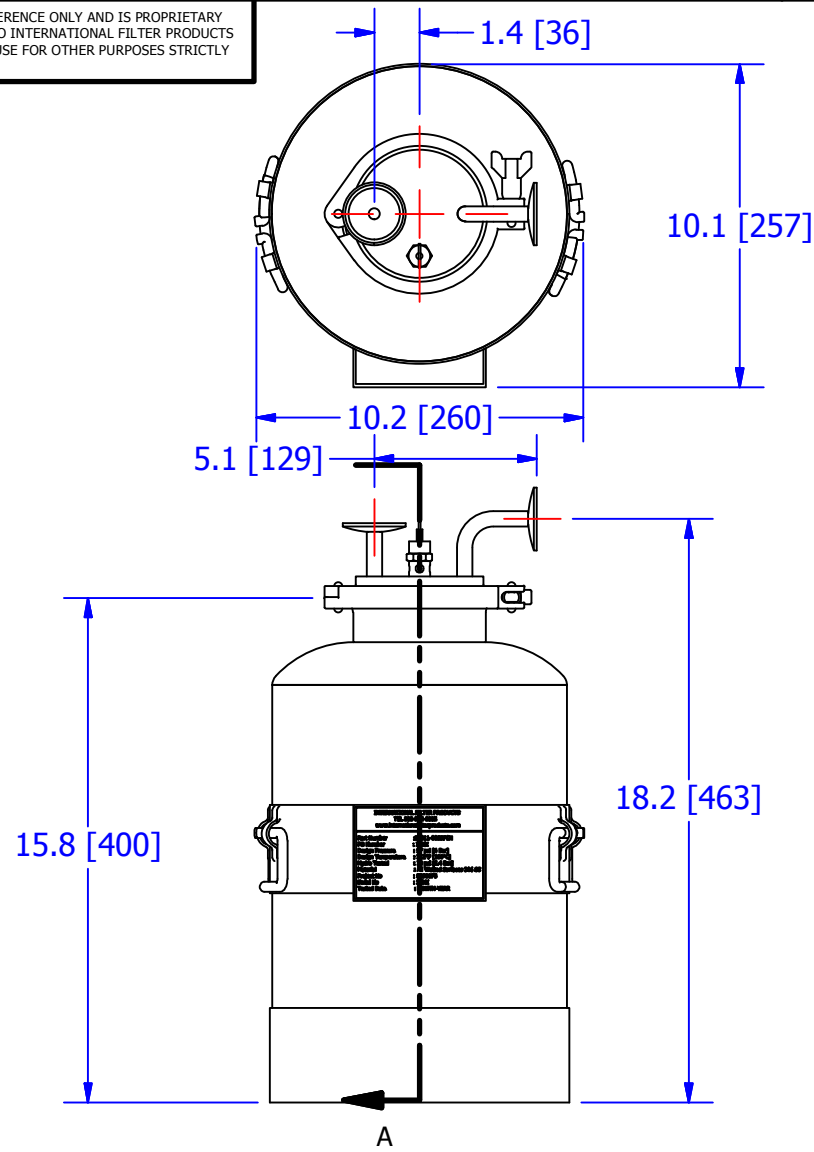


THIS DOCUMENT IS FOR REFERENCE ONLY AND IS PROPRIETARY INFORMATION BELONGING TO INTERNATIONAL FILTER PRODUCTS UNAUTHORIZED COPIES OR USE FOR OTHER PURPOSES STRICTLY PROHIBITED.

REVISIONS				
ZONE	REV	DESCRIPTION	DATE	APPROVED
	-	SALES DRAWING	10/1/2019	CD Morland



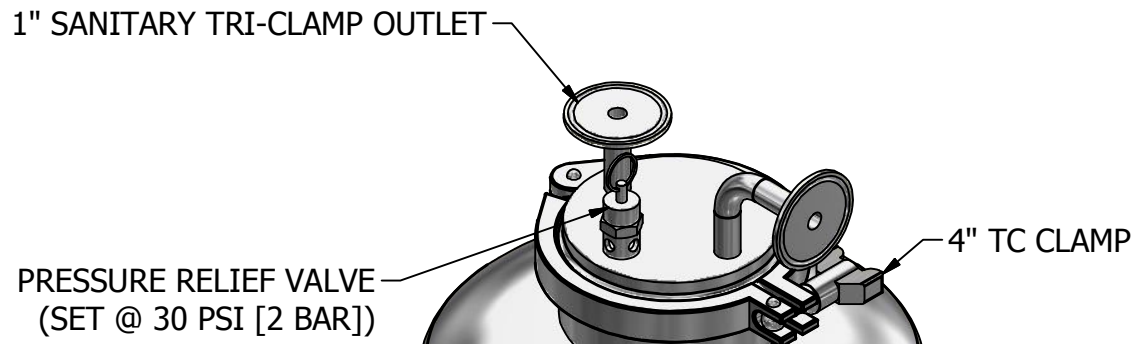
SECTION A-A
SCALE 1:6

- NOTES:
- 1.0 ALL WETTED SURFACES ARE: 316 L SS
 - 2.0 INTERNAL SURFACE FINISH IS 16 RA; EXTERNAL 25 RA
 - 3.0 PRESSURE POT DESIGNED FOR 78 PSI [5.4 BAR] @ 212 °F [100 °C].
 - 4.0 PRESSURE POT WORKING VOLUME: 10L
 - 5.0 INLET AND OUTLET PORTS: 1 INCH TRI-CLAMP
 - 6.0 DOME SEAL MATERIA: EPDM
 - 7.0 HOUSING DESIGNED TO BE STEAM STERILIZED @ at 270 °F [132 °C] FOR 30 MIN.

DRAWN Owner CHECKED YA Zanki APPROVED CD Morland	10/1/2019 10/1/2019 10/1/2019	International Filter Products 11070 Fleetwood St., Unit B Sun Valley, CA 91352 PHONE: 818-504-8115 FAX: 818-941-2947 email: www.internationalfilterproducts.com	TITLE PRESSURE POT, 10L, 316L SS
UNLESS OTHERWISE SPECIFIED DIMENSIONS ARE IN INCHES DECIMALS FRACTIONS +/- 1/16 X +/- .030 ANGLES +/- 1/2 XX +/- .015 SURFACE ROUGHNESS 125 XXX +/- .005		SIZE A	ISOF NO DWG NO IFP-021-1110
CONCENTRICITIES .010 (FIM) INTERNAL RADII .015~.030 BREAK CORNERS .005~.015		SCALE NA WEIGHT 19.763 lbmass	REV - SHEET 1 OF 3

THIS DOCUMENT IS FOR REFERENCE ONLY AND IS PROPRIETARY INFORMATION BELONGING TO INTERNATIONAL FILTER PRODUCTS UNAUTHORIZED COPIES OR USE FOR OTHER PURPOSES STRICTLY PROHIBITED.

REVISIONS				
ZONE	REV	DESCRIPTION	DATE	APPROVED
	-	SALES DRAWING	10/1/2019	CD Morland



BULB
DIP TUBE (ASSIST WITH LIQUID EXTRACTION)

DRAWN Owner	10/1/2019
CHECKED YA Zanki	10/1/2019
APPROVED CD Morland	10/1/2019

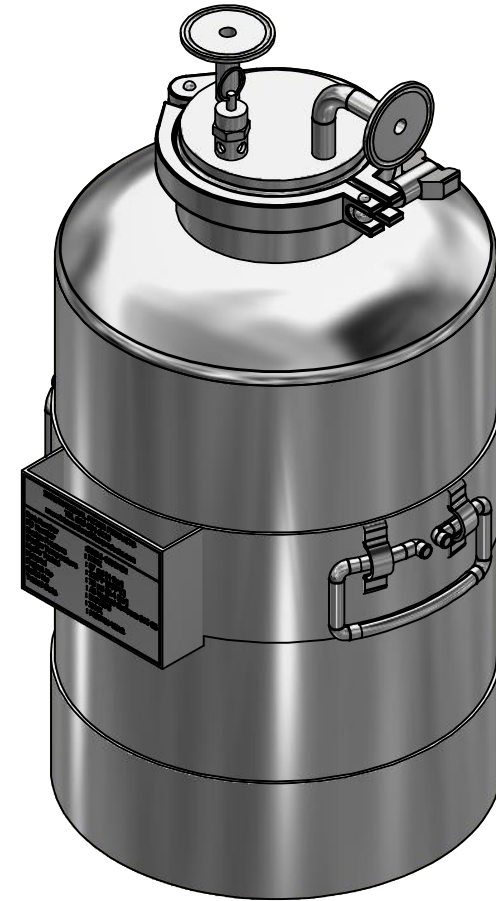
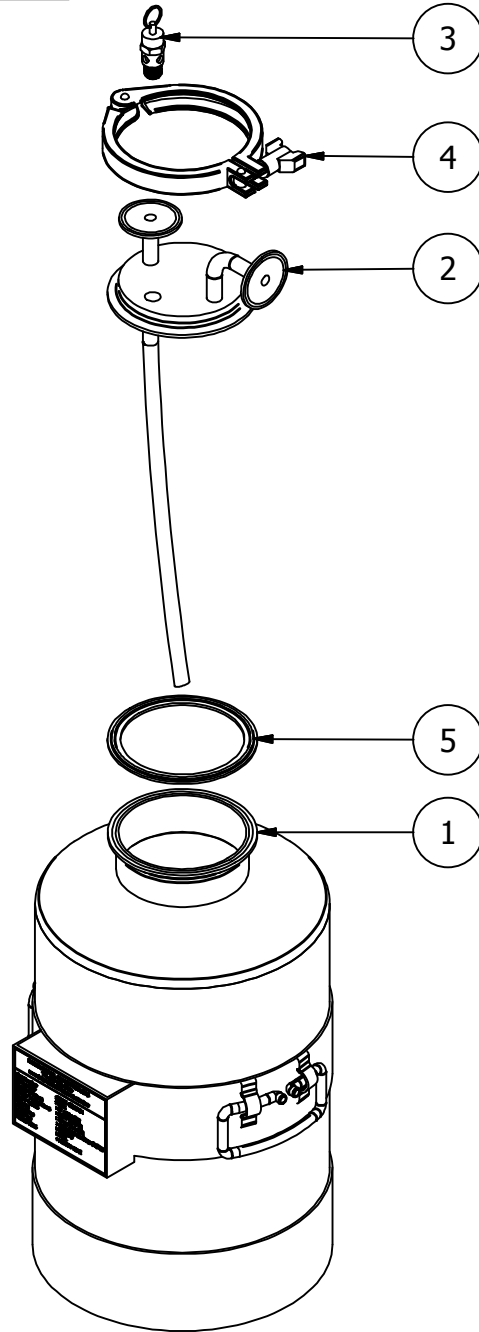
International Filter Products
 11070 Fleetwood St., Unit B
 Sun Valley, CA 91352
 PHONE: 818-504-8115
 FAX: 818-841-2947
 email: www.internationalfilterproducts.com

UNLESS OTHERWISE SPECIFIED
 DIMENSIONS ARE IN INCHES
 DECIMALS FRACTIONS +/- 1/16
 X +/- .030 ANGLES +/- 1/2
 XX +/- .015 SURFACE ROUGHNESS 125
 XXX +/- .005
 CONCENTRICITIES .010 (FIM)
 INTERNAL RADII .015~.030
 BREAK CORNERS .005~.015

TITTLE			
PRESSURE POT, 10L, 316L SS			
SIZE A	ISOF NO	DWG NO IFP-021-1110	REV -
SCALE NA	WEIGHT 19.763 lbmass	SHEET 2 OF 3	

THIS DOCUMENT IS FOR REFERENCE ONLY AND IS PROPRIETARY INFORMATION BELONGING TO INTERNATIONAL FILTER PRODUCTS UNAUTHORIZED COPIES OR USE FOR OTHER PURPOSES STRICTLY PROHIBITED.

REVISIONS				
ZONE	REV	DESCRIPTION	DATE	APPROVED
	-	SALES DRAWING	10/1/2019	CD Morland



ITEM	QTY	PART NUMBER	DESCRIPTION
5	1	IFP-09U-0106	SEAL, TC, 4.0 INCH, EPDM
4	1	IFP-10E-0005	CLAMP, TC, 4.0 INCH
3	1	IFP-02E-1104	RELIEF VALVE, BSP PIPE THREAD, 0.25 INCH
2	1	IFP-021-1107	COVER, PRESS POT, 5L, 316L SS
1	1	IFP-021-1106	BASE, PRESS POT, 10L, 316L SS

BILL OF MATERIALS

DRAWN Owner 10/1/2019 CHECKED YA Zanki 10/1/2019 APPROVED CD Morland 10/1/2019	International Filter Products 11070 Fleetwood St., Unit B Sun Valley, CA 91352 PHONE: 818-504-8115 FAX: 818-841-2947 email: www.internationalfilterproducts.com	TITLE PRESSURE POT, 10L, 316L SS
UNLESS OTHERWISE SPECIFIED DIMENSIONS ARE IN INCHES DECIMALS FRACTIONS +/- 1/16 X +/- .030 ANGLES +/- 1/2 XX +/- .015 SURFACE ROUGHNESS 125 XXX +/- .005 CONCENTRICITIES .010 (FIM) INTERNAL RADII .015~.030 BREAK CORNERS .005~.015	SIZE A	ISOF NO DWG NO IFP-021-1110
SCALE NA	WEIGHT 19.763 lbmass	SHEET 3 OF 3