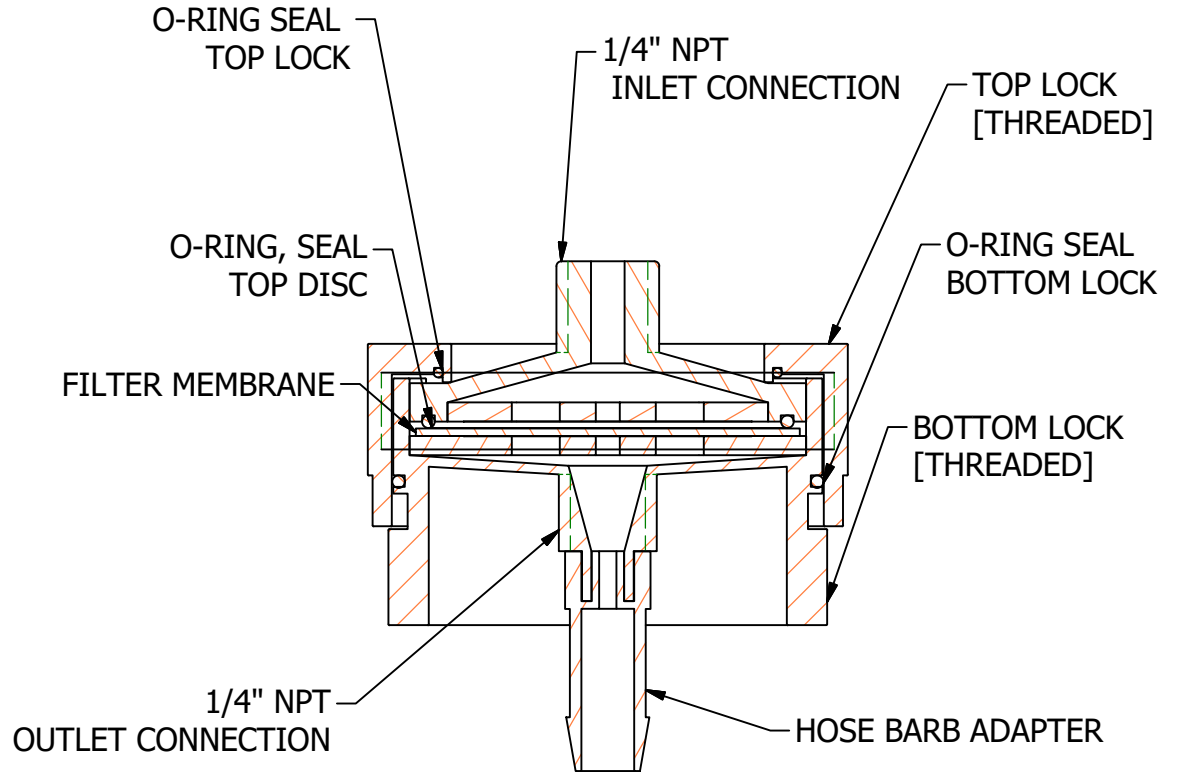
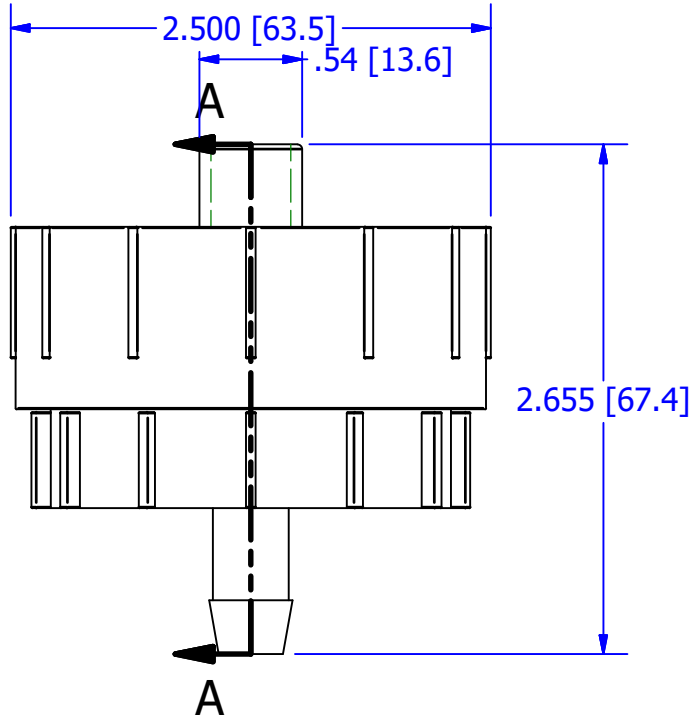


THIS DOCUMENT IS FOR REFERENCE ONLY AND IS PROPRIETARY INFORMATION BELONGING TO INTERNATIONAL FILTER PRODUCTS UNAUTHORIZED COPIES OR USE FOR OTHER PURPOSES STRICTLY PROHIBITED.

REVISIONS				
ZONE	REV	DESCRIPTION	DATE	APPROVED
	1	SALES DRAWING	8/25/2020	YA ZANKI



**SECTION A-A**  
**SCALE 1 : 1**

DRAWN OS AHMAD 8/24/2020		<b>International Filter Products</b>	
CHECKED YA ZANKI 8/25/2020		11070 Fleetwood St., Unit B Sun Valley, CA 91352	
APPROVED YA ZANKI 8/25/2020		PHONE: 818-504-8115 FAX: 818-841-2947 email: www.internationalfilterproducts.com	
UNLESS OTHERWISE SPECIFIED DIMENSIONS ARE IN INCHES		TITLE <b>DISC HOLDER 47MM PP</b>	
DECIMALS X +/- .030	FRACTIONS +/- 1/16	SIZE <b>A</b>	ISOF NO
XX +/- .015	ANGLES +/- 1/2	SCALE NA	DWG NO <b>IFP-141-1047-P</b>
XXX +/- .005	SURFACE ROUGHNESS 125	WEIGHT N/A	REV <b>1</b>
CONCENTRICITIES .010 (FIM) INTERNAL RADII .015~.030 BREAK CORNERS .005~.015		SHEET <b>1</b> OF <b>2</b>	

THIS DOCUMENT IS FOR REFERENCE ONLY AND IS PROPRIETARY INFORMATION BELONGING TO INTERNATIONAL FILTER PRODUCTS UNAUTHORIZED COPIES OR USE FOR OTHER PURPOSES STRICTLY PROHIBITED.

4

3

2

1

D

D

C

C

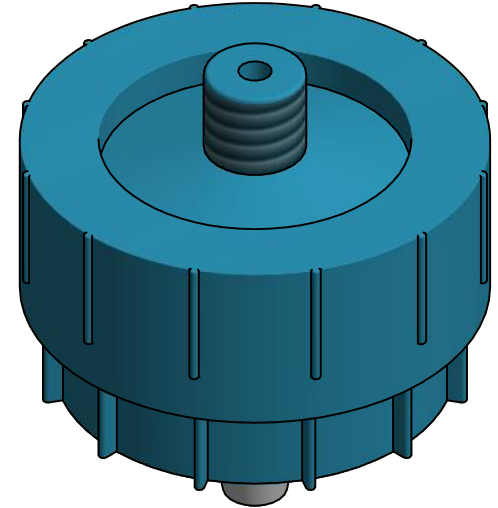
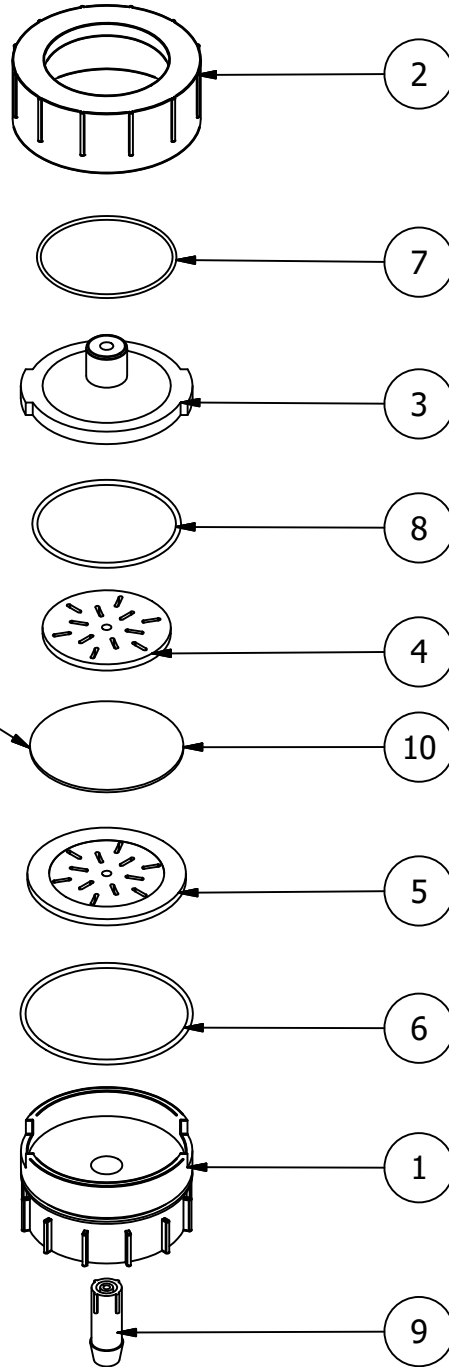
B

B

A

A

FILTER MEMBRANE



10	1	IFP-14J-4710	FILTER MEMBRANE DISC HOLDER, 47MM, PP
9	1	IFP-14J-4709	ADAPT, LUER SLIP X 1/2 IN HB, 47 MM PP
8	1	IFP-14J-4707	O-RING, TOP DISC, DISC HOLDER, 47MM, SILICONE
7	1	IFP-14J-4708	O-RING, TOP LOCK, DISC HOLDER, 47MM, SILICONE
6	1	IFP-14J-4706	O-RING, BOTTOM, DISC HOLDER, 47MM, SILICONE
5	1	IFP-14J-4704	BOTTOM DISC, DISC HOLDER, 47MM, PP
4	1	IFP-14J-4705	TOP DISC, DISC HOLDER, 47MM, PP
3	1	IFP-14J-4703	TOP, DISC HOLDER, 47MM, PP
2	1	IFP-14J-4701	TOP LOCK, DISC HOLDER, 47MM, PP
1	1	IFP-14J-4702	BOTTOM, DISC HOLDER, 47MM, PP
ITEM	QTY	PART NUMBER	DESCRIPTION

BILL OF MATERIALS

DRAWN OS AHMAD 8/24/2020  
 CHECKED YA ZANKI 8/25/2020  
 APPROVED YA ZANKI 8/25/2020

**International Filter Products**  
 11070 Fleetwood St., Unit B PHONE: 818-504-8115  
 Sun Valley, CA 91352 FAX: 818-841-2947  
 email: www.internationalfilterproducts.com

UNLESS OTHERWISE SPECIFIED DIMENSIONS ARE IN INCHES  
 DECIMALS FRACTIONS +/- 1/16  
 X +/- .030 ANGLES +/- 1/2  
 XX +/- .015 SURFACE ROUGHNESS 125  
 XXX +/- .005  
 CONCENTRICITIES .010 (FIM)  
 INTERNAL RADII .015~.030  
 BREAK CORNERS .005~.015

TITLE			
<b>DISC HOLDER 47MM PP</b>			
SIZE <b>A</b>	ISOF NO	DWG NO <b>IFP-141-1047-P</b>	REV <b>1</b>
SCALE NA	WEIGHT N/A	SHEET <b>2</b> OF <b>2</b>	