

Series SSSLH

Sanitary Stainless Steel Lenticular Housing



Features:

- Aseptic Design
- One Piece Flow Insert
- Inside & Out Mirror Finish
- User Friendly Vertical Design
- Center Post Alignment Guides
- Total Enclosed Depth Filtration System
- Multiple filter area selections available
- Positive Spring-Loaded Media Stack Sealing

Benefits:

- Fully Self Draining
- Provides Easy Venting
- Ease of Filter Change-Out
- Maximize Product Recovery
- Complete Access for Cleaning
- Reduces Bacteria & Particle Adhesion
- Suitable for Small through Large Batch Sizes
- Flow Insert, Spring-Loaded System & Guides
Stabilize Center Post and Insure a Positive Media Seal
- Flows from 5.5 to 75 gpm (1000 to 17, 000 lph) per Housing

Sanitary Stainless Steel Lenticular Housings

The high purity Sanitary Stainless Steel Lenticular Housings (SSSLH) have been designed to meet the exact sanitary quality standards of the pharmaceutical, biological, food and beverage, fine chemical, and microelectronics industries. The highly polished mirror finish of the 316L filter housings inside and out provide superior corrosion resistance and minimize the process fluid from adhering to the internal surfaces, thus enhancing the cleaning operation. The highly corrosive-resistant material is ideal because of its superior strength and chemical compatibility.

The SSSLH housings are designed for complete disassembly, allowing full access to all internal surfaces for easy cleaning, draining and sampling and are designed with a secure swing away bolt closure.

The housings accommodate both the 12.0 and 16.0 inch diameter lenticular discs in multiple stack heights to offer a wide choice of filter media area and flow rates. Also available is Multiple Lenticular discs housings with shorter length center posts to add filter area flexibility.

Series SSSLH

Sanitary Stainless Steel Lenticular Housings



Design Features – The objective of our engineers was to design a lenticular filter housing that is aseptic, practical and convenient to use. The swing-away bolts were placed at the bottom of the dome to minimize hold up volume and to simplify access to inspect the seals on the filter modules. The dome seal is installed in the up-right position to ensure the seals remain in position when tightening the bolts. The flow insert was machined from one piece to add stability to the center post and strength at the center post interface.

Each filter module that is installed in the housing will be centered at the top and bottom. This permits the module seals to be properly aligned and to engaged every time without fail and to be easily installed and removed. When using multiple stacks the center modules are centered at the top and bottom with the assistance of the center post guide. The center post guides eliminates the potential surfaces crevices and ease cleaning time found with the conventional fin type module centering device.

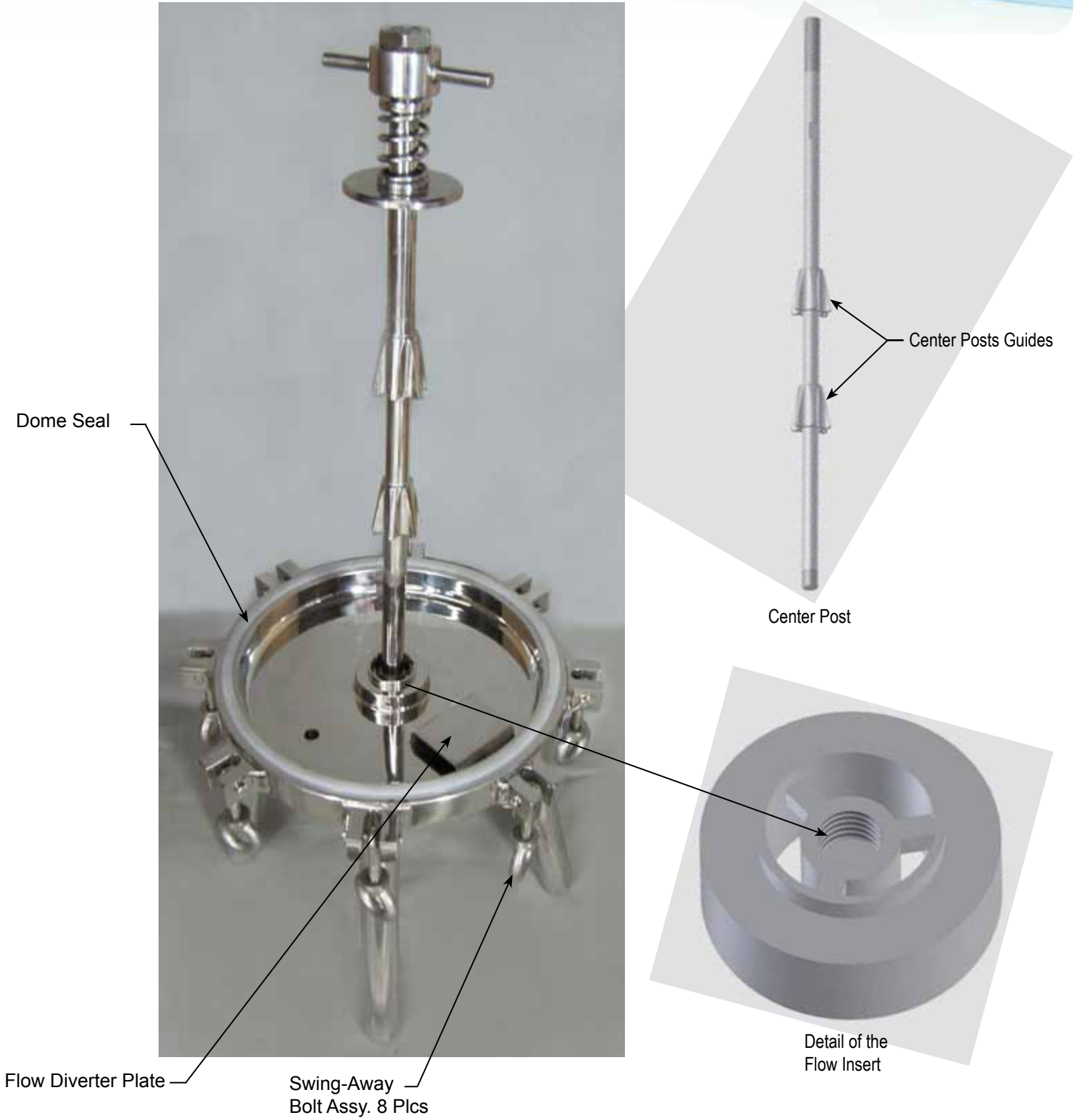
The mirror finish provided on both the outside and inside of the unit makes clean up easy in addition to enhancing the chemical resistance of the 316 L material. The finish also reduces the adhesion of most biological and pharmaceutical fluids and reduces surface bacteria growth. The surface preparation ensures that there are no unwanted surface crevices.

To add flexibility to adjust to various process batch sizes we offer shorter center posts. A 01-0285-2 filter housing designed to accept 32 cells can be purchased with additional center posts designed for 16 or 25 cells. This permits the customer to install shorter stacks when the batch sizes are smaller. If hold up volume is of a major concern a shorter dome can also be obtained.

The SSSLH 01-0285-3 Models and up are designed, in addition to the handles and for safety purposes, with heavy lifting lugs on the top of the dome.

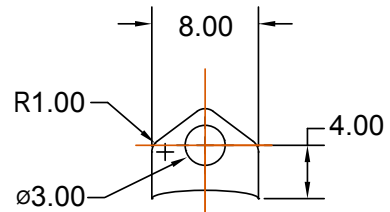
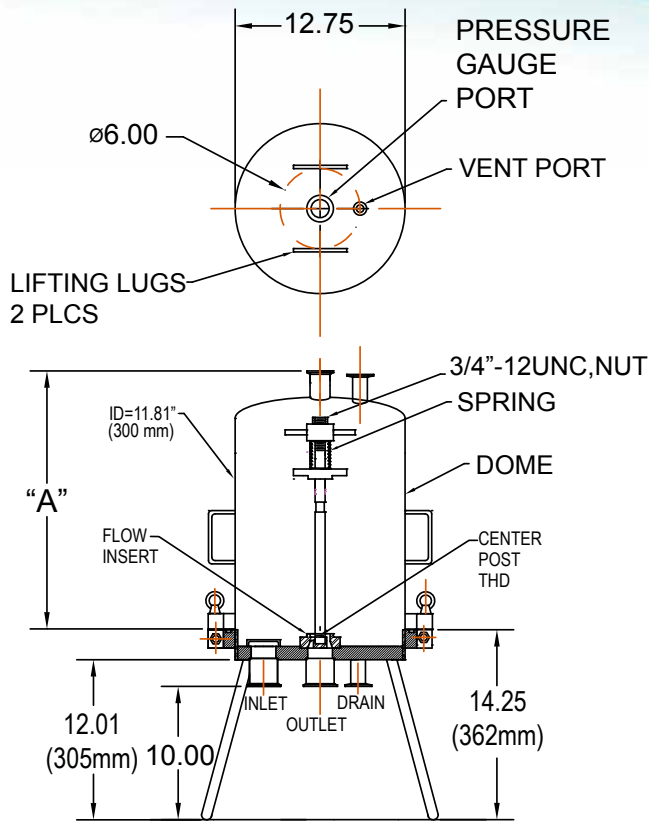
Series SSSLH

Sanitary Stainless Steel Lenticular Housings



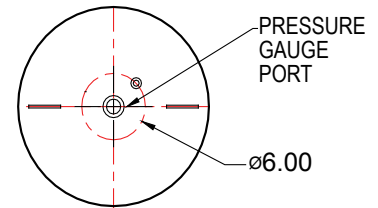
Series SSSLH

Sanitary Stainless Steel Lenticular Housings

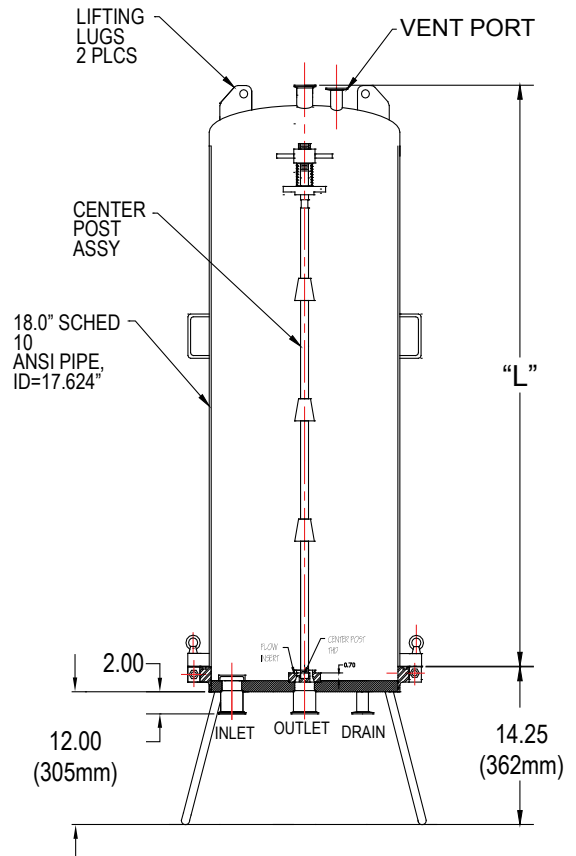


DETAIL LIFTING LUG

ONLY REQUIRED FOR
01-0285-3 &
01-0285-4



01-0285-Tabulation		
PART #	"A" DIMENSION	# of CELLS
01-0285-1	19.375" (492mm)	16
01-0285-2SP	27.000" (686mm)	25
01-0285-2	30.375" (772mm)	32
01-0285-3	41.375" (1051mm)	48
01-0285-4	52.375" (1330mm)	64



01-0295-Tabulation		
PART #	"L" DIMENSION	# of CELLS
01-0295-1	20.00" (508mm)	14
01-0295-2	32.00" (813mm)	28
01-0295-3	43.125" (1096mm)	42
01-0295-4	52.5" (1394mm)	56

Series SSSLH

Sanitary Stainless Steel Lenticular Housings



The Lenticular Housing Flow Rate Guide is provided to allow the user to select filter housing with the correct number of cells and diameter to handle the design flow rate. Our engineers provide recommended inlet and outlet connections for the various flow rates. The table is a guide line only for aqueous solutions.

For other applications, filter housing flow rates will be dependent on the nature of the process. Variables such as filter media formulation and grade, temperature, viscosity, and the contamination level of the fluid will all influence the ideal flow rate.

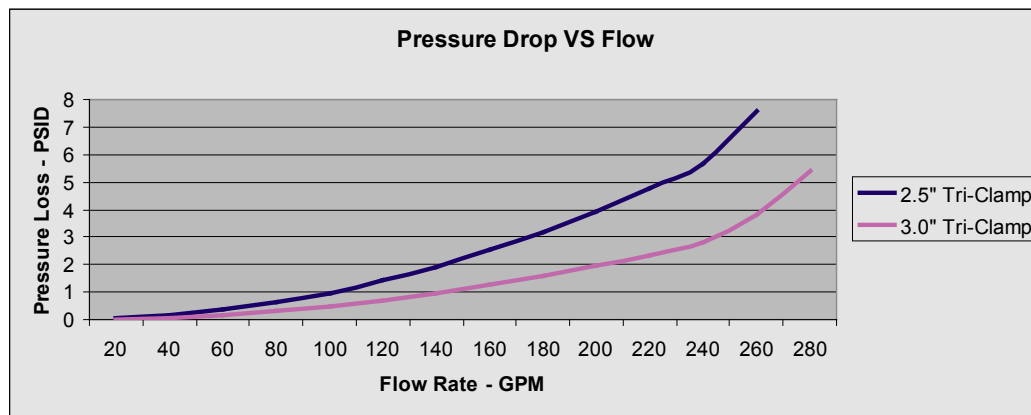
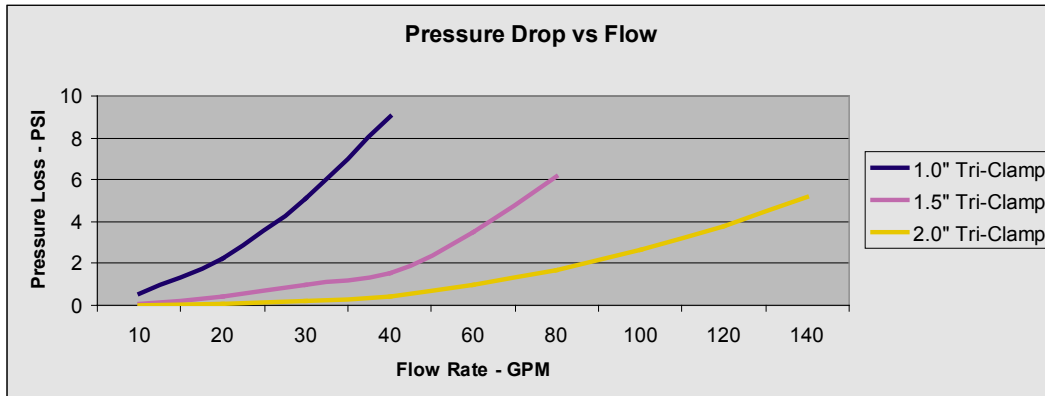
The filter media utilize mechanical and electro-kinetic adsorptive capture mechanisms to remove particles, microorganisms, colloids, and pyrogen from critical process streams. Our scientists have invested years of research and development to create a range of filter grades to meet stringent application requirements.

Lenticular Housing Flow Rate Guide for Aqueous Solutions

Housing Model	GPM Based on 70°F Water	LPM Based on 70°F Water	Cell Dia (in) & No. of Cells	Inlet & Outlet
01-0285-1	9.5 - 19	20 - 40	12" - 16	2.0" TC
01-0285-2SP	15 - 30	56 - 112	12" - 25	2.0" TC
01-0285-2	19 - 38	72 - 144	12" - 32	2.0" TC
01-0285-3	28.5 - 57	108 - 216	12" - 48	2.0" TC
01-0285-4	38 - 76	144 - 288	12" - 64	2.5" TC
01-0295-1	19 - 38	70 - 140	16" - 14	2.0" TC
01-0295-2	38 - 76	140 - 280	16" - 28	2.5" TC
01-0295-3	57 - 114	210 - 420	16" - 42	2.5" TC
01-0295-4	76 - 152	280 - 560	16" - 56	3.0" TC

Series SSSLH

Sanitary Stainless Steel Lenticular Housings



Flow Vs Pressure Loss Curves – To obtain a pressure loss across a filter housing, select the curve that list the inlet & outlet connections size that is planned for the filter housing under consideration and then move to the correct flow rate and read the pressure loss. If you discover the pressure loss is too great, select a larger inlet & outlet connection. The listed pressure drops are for the filter housing only and don't include filters.

STANDARD FILTER HOUSING WEIGHTS & DIMENSIONS								
Housing Model	Dome Weight		Clearance Required		Housing Height		Dome Height	
	lbs	kg	inches	mm	inches	mm	inches	mm
01-0285-1	45	20	53	1346	34-1/4	870	20	508
01-0285-2SP	53	24	67	1702	41-1/4	1048	27	686
01-0285-2	61	28	76	1930	46-1/4	1175	32	813
01-0285-3	77	35	98	2489	57-3/8	1457	43-1/4	1095
01-0285-4	90	41	117	2972	66-5/8	1692	52-1/2	1330
01-0295-1	86	39	55	1397	34-1/4	870	20	508
01-0295-2	108	50	78	1981	46-1/4	1175	32	813
01-0295-3	130	59	100	2540	57-3/8	1457	43-1/4	1095
01-0295-4	147	67	118	2997	66-5/8	1692	52-1/2	1330

Dimensions are for rough plumbing estimates only, for other details contact IFP

* Filter Housings include lifting lugs for the dome.

Series SSSLH

Sanitary Stainless Steel Lenticular Housing

We offer a number of accessory packages to complement our filter housings. The photograph below illustrates our deluxe accessory package, which includes vent and drain valves with the appropriate sanitary clamps, pressure gauge (strain gauge type) with sanitary clamp, inlet and outlet elbows with clamps and base plate with casters. This is a popular accessory package. Each of the major components of this package is sold separately. We offer systems including, valves, pumps, plumbing and tanks.



ACCESSORY OPTIONS

PACKAGE OPTION	DESCRIPTION	BENEFIT
1	Inlet & outlet elbows, including seals and clamps	Both the inlet & outlet elbows are extended beyond the diameter for easy access 16
2	Base Plate with casters	Provide the unit with mobility
3	Stainless steel vent and drain valves (PTFE seals) with clamps and seals	Ensures that the valves are capable and ready to use
4	Different length center posts	Permits the user to match the filter module size to the desire flow rate.
5	Different Length domes	Reduces the hold up volume when matching the filter module size to the desire flow rate
6	Pressure gauge options	Makes sure this item is covered before the system arrives

Series SSSLH

Sanitary Stainless Steel Lenticular Housings

Materials of Construction:

Head:	316 L Stainless Steel
Dome:	316 L Stainless Steel
Vent/ Drain Port:	316 L Stainless Steel
Gauge Port:	316 L Stainless Steel
Swing-Away Bolts:	304 Stainless Steel
Legs:	304 Stainless Steel
O-Rings:	Silicone, EPDM, Buna N, TES, TEV or Kalrez



Lenticular Disc Stack Dimensions (Nominal)

Cell Dimensions:	9 Cell	16 Cell	14 Cell
DIAMETER			
Inches	11-1/8	11-1/8	16-3/4
cm	28.3	28.3	42.5
HEIGHT			
Inches	7-11/16	10-7/8	10-7/8
cm	19.5	27.6	27.6
FILTER AREA			
Ft2	11	19	38
M2	1.0	1.8	3.5

NOMENCLATURE

Style #	Cell Number	Inlet/ Outlet	Stack Diameter	Vent	Drain Port	Gauge Port	Seal Material	Cleaning Option
XX-XXXX	-X	-X	-X	-X	-X	-X	-X	-X
01-0285-1	16	1 = 2.0" TC	11-1/8	1 = 1/2" TC	1 = 1/2" TC	1 = 1.5" TC	S = Silicone	0 = No Cleaning
01-0285-2SP	25	2 = 2.5" TC	11-1/8	2 = 1.0" TC	2 = 1.0" TC	2 = 1/4" FNPT	B = Buna N, FDA	C = Cleaning
01-0285-2	32	3 = 3.0" TC	11-1/8		3 = 1.5" TC		E = EPDM	
01-0285-3	48		11-1/8		4 = 2.0" TC		K = Kalrez	
01-0285-4	64		11-1/8				TES = TES	
01-0295-1	14		16-3/4				TEV = TEV	
01-0295-2	28		16-3/4				V = Viton	
01-0295-3	42		16-3/4					
01-0295-4	56		16-3/4					

Connections:

Inlet / Outlet Sanitary Flange, refer to drawing

Vent / Drain Sanitary Flange, refer to drawing

Finish:

Exterior Finish: Electro-Polished < 25RA

Interior Finish: Electro-Polished < 16 RA

Operating Conditions:

Max Operating Pressure: 142 Psi (10 Bar) @ 212 F (100 C)

Cleaned & Packaged:

Cleaned per specification NAS 1638, Class 5 on a Class 100 flow bench and packaged



www.internationalfilterproducts.com
7914 Ajay Dr.
Sun Valley, CA 91352
Tel: (818) 504-8115 - Office
Tel: (818) 917-9538 - Cell
E-mail: sales@internationalfilterproducts.com

