



Virgin Polypropylene Housing

ZenPure virgin polypropylene housings have been specially designed for critical applications that require a high degree of cleanliness. No metal components are used in the construction of the housing, therefore, eliminating the potential for ionic or metallic contamination. In addition, the locking ring and housing threads are external to the housing (non-wetted surface) thereby reducing the potential for particles being generated as the surfaces are tightened or loosened.

ZenPure virgin polypropylene housings are offered in 10" or 20" lengths that accept filter cartridges with 2-222 O-rings. The compact design of the housings requires minimal installation space while reducing hold-up volume. ZenPure virgin polypropylene housings can withstand high operating pressures and are an economic alternative to metal housings.



Applications	
Solvents	Ink Jets
Fine Chemicals	Electronics
Plating Solutions	Pharmaceuticals
Process Water	Biologics
Beverages	Dyes
Parts Cleaning	Lacquers

Materials of Construction

- Head: Virgin Polypropylene
- Bowl: Virgin Polypropylene
- Locking Ring: Polypropylene
- Vent / Drain Plugs: Virgin Polypropylene
- O-Rings: Silicone, EPDM

Maximum Operating Pressure

- 100 psig (6.9Bar) @ 125°F (52° C)
- 125 psig (8.6 Bar) @ 68°F (20° C)

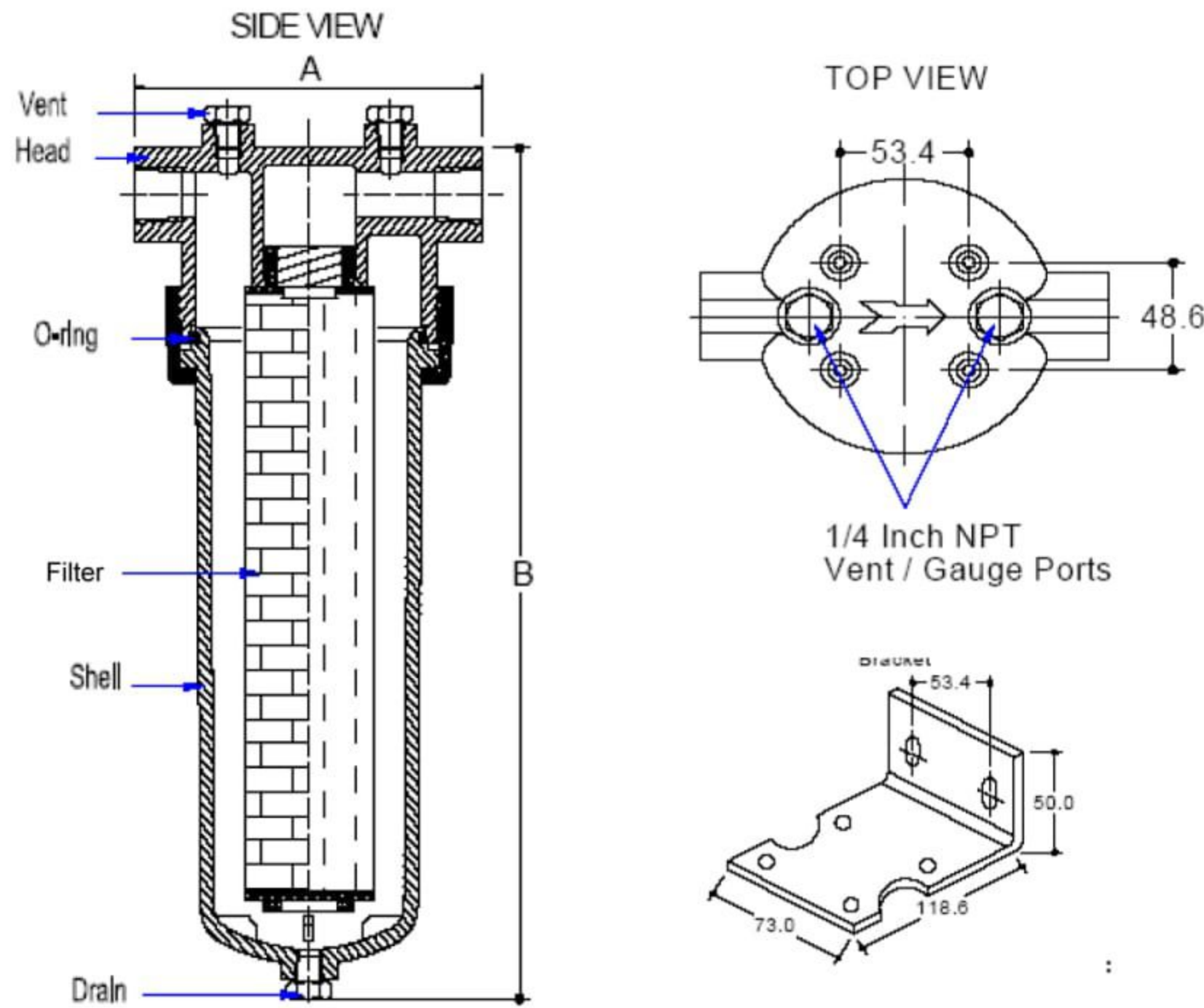
Lengths (Nominal): 10 in., 20 in.

Inlet / Outlet Connections: 3/4" NPT, 1" NPT

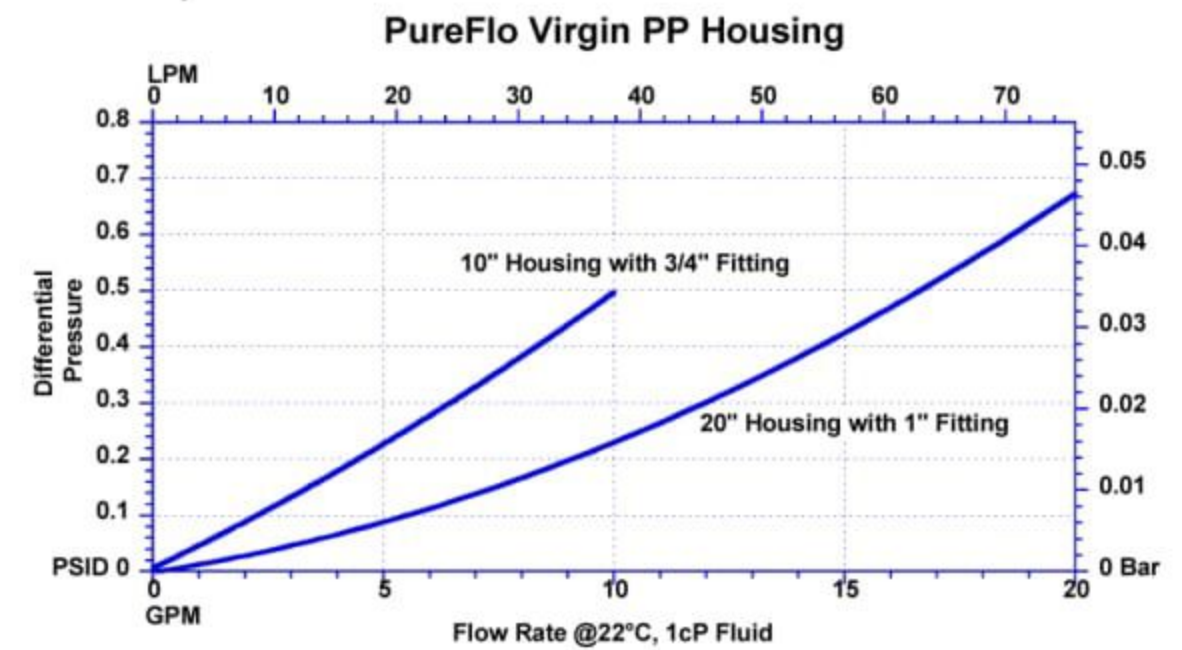
Features	Benefits
<ul style="list-style-type: none"> ■ Small Compact Design 	<ul style="list-style-type: none"> ■ Low hold-up volume ■ Minimal installation space required
<ul style="list-style-type: none"> ■ 100% Polypropylene Construction 	<ul style="list-style-type: none"> ■ Eliminates the potential for metallic or ionic contamination ■ Provides excellent compatibility with a wide-range of fluids ■ Economic alternative to metal housings
<ul style="list-style-type: none"> ■ External Locking Ring 	<ul style="list-style-type: none"> ■ Provides a robust and consistent seal ■ Able to withstand high operating pressures ■ Reduces the potential for particles being generated as the mating surfaces are being tightened or loosened



Virgin Polypropylene Housing



Nominal Length	A	B
10"	165mm (6.5in")	354mm (13.9")
20"	165mm (6.5in")	603mm (23.7")



Virgin Polypropylene Ordering Guide

Filter Housing	Cartridge #	Cartridge Code	Length	VENT/ DRAIN	BODY STYLE	INLET/OUTLET	O-Ring Materials
PHV	01	0	10	P	T	G	E
PHV =Virgin PP housing	01 = 1 Round	0 = 2-222	10 = 10" 20 = 20"	P = 1/4" FNPT (plugs included)	T= T-LINE	G = 3/4" FNPT (10") H = 1" FNPT (20")	E = EPDM (Standard) S = Silicone



International Filter Products

www.internationalfilterproducts.com
 11070 Fleetwood Street, Unit B, Sun Valley, CA 91352
 Phone: (818) 504-8115
 Email: sales@internationalfilterproducts.com

