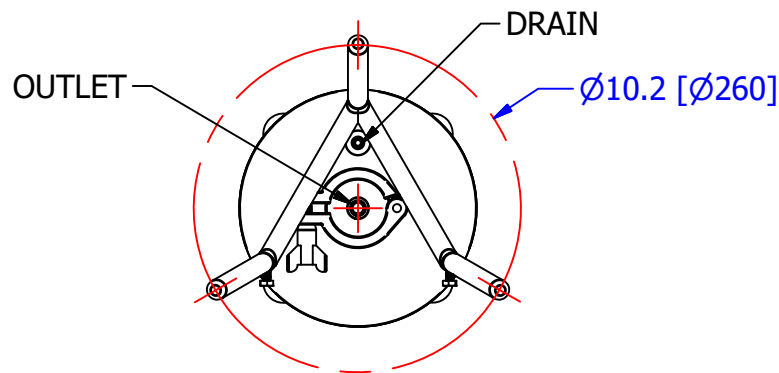
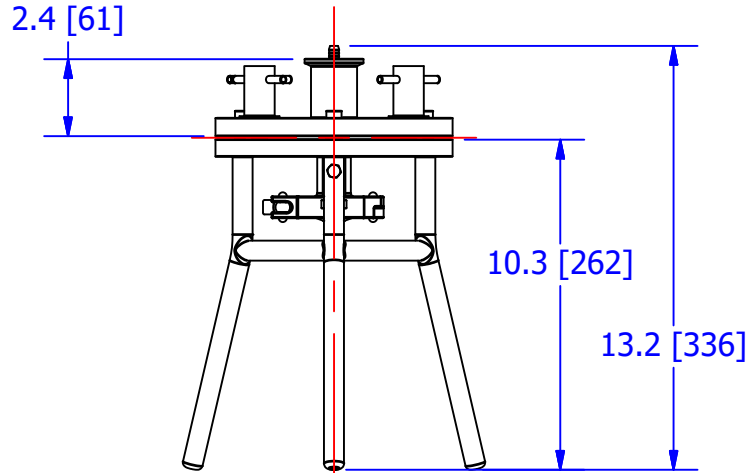
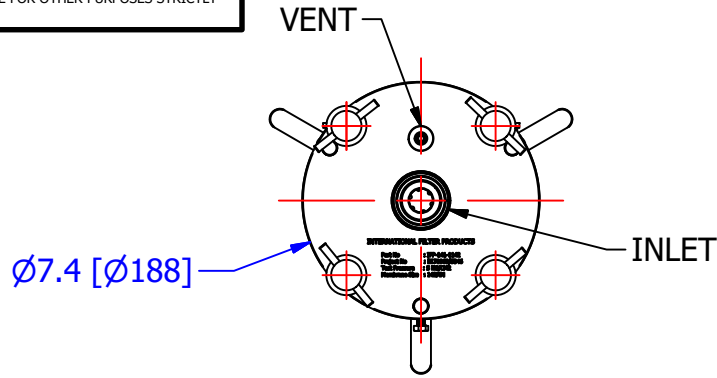


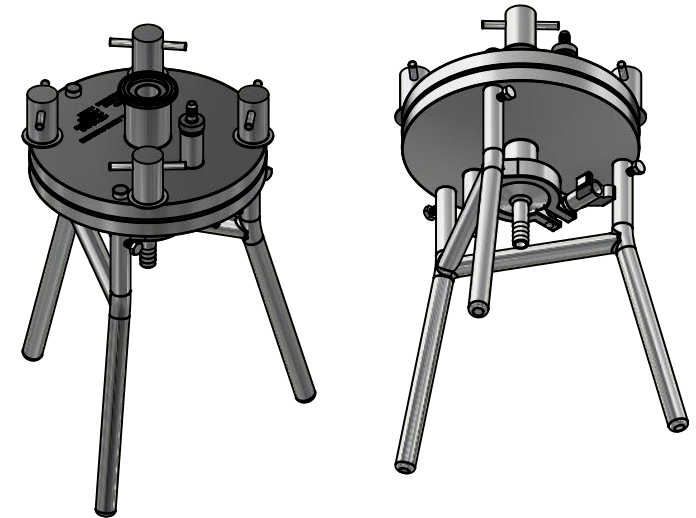
THIS DOCUMENT IS FOR REFERENCE ONLY AND IS PROPRIETARY INFORMATION BELONGING TO INTERNATIONAL FILTER PRODUCTS UNAUTHORIZED COPIES OR USE FOR OTHER PURPOSES STRICTLY PROHIBITED.

REVISIONS				
ZONE	REV	DESCRIPTION	DATE	APPROVED
	A	SALES DRAWING	8/5/2019	CD MORLAND



NOTES:

- 1.0 ALL WETTED SURFACES ARE: 316 L
- 2.0 INTERNAL SURFACE FINISH IS 20 RA;
EXTERNAL 25 RA
- 3.0 FILTER DISC HOLDER DESIGNED FOR 75 PSI [5.0 BAR] @ 212 °F [100 °C].
- 4.0 FILTER DISC USED: 142 MM
FILTER MEDIA SHEET: MEMBRANES & PP FIBROUS
- 5.0 FILTER AREA: 24.5 IN² ; [158 CM²]
- 6.0 INLET AND OUTLET PORTS: 1/2" HOSE BARB
- 7.0 DOME SEAL MATERIAL: EDPM
- 8.0 HOUSING IS DESIGNED TO BE STEAM STERILIZED @ at 259 °F [126 °C] FOR 30 MIN.



DRAWN ONYX AHMAD	7/24/2019
CHECKED YA ZANKI	8/5/2019
APPROVED CD MORLAND	8/5/2019

International Filter Products

11070 Fleetwood St., Unit B
Sun Valley, CA 91352

PHONE: 818-504-8115
FAX: 818-841-2947
email: www.internationalfilterproducts.com

UNLESS OTHERWISE SPECIFIED
DIMENSIONS ARE IN INCHES

DECIMALS FRACTIONS +/- 1/16
X +/- .030 ANGLES +/- 1/2
XX +/- .015 SURFACE ROUGHNESS 125
XXX +/- .005

CONCENTRICITIES .010 (FIM)
INTERNAL RADII .015~.030
BREAK CORNERS .005~.015

TITLE DISC HOLDER, 142 MM, 316L SS			
SIZE A	ISOF NO	DWG NO IFP-141-1142	REV A
SCALE NA	WEIGHT 19.943 lbmass	SHEET 1 OF 3	

4

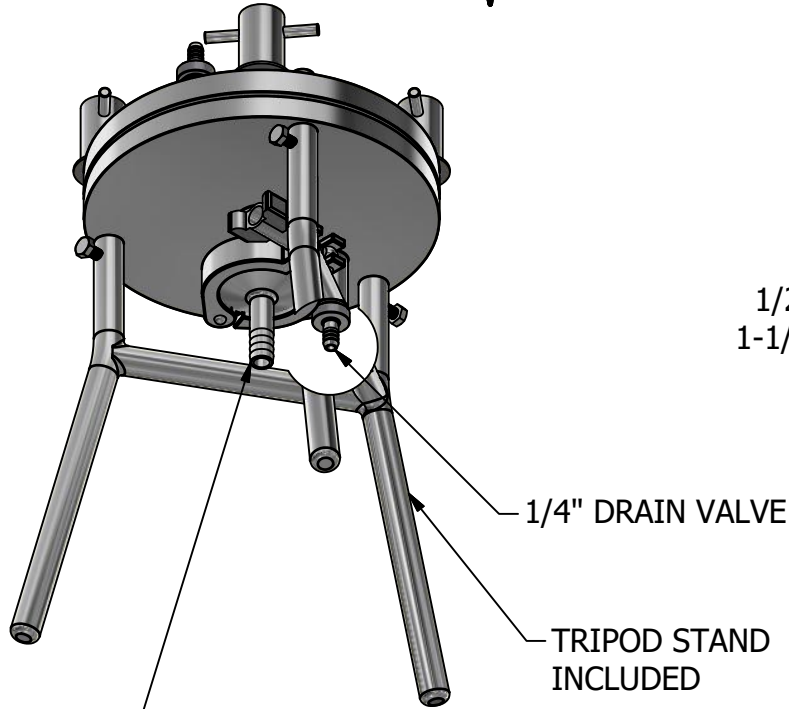
3

2

1

THIS DOCUMENT IS FOR REFERENCE ONLY AND IS PROPRIETARY INFORMATION BELONGING TO INTERNATIONAL FILTER PRODUCTS UNAUTHORIZED COPIES OR USE FOR OTHER PURPOSES STRICTLY PROHIBITED.

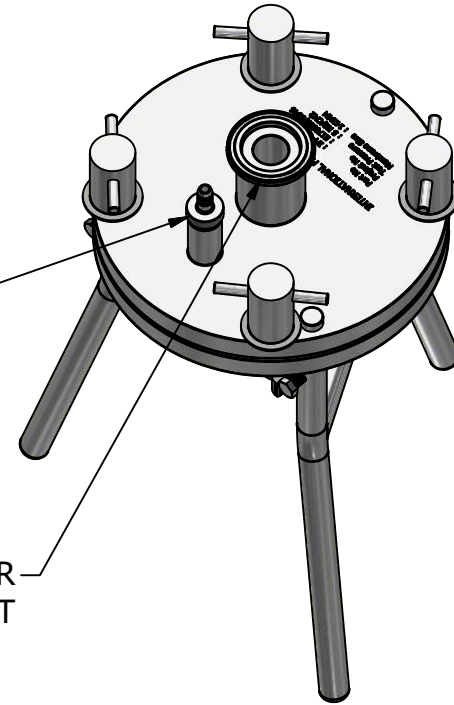
REVISIONS				
ZONE	REV	DESCRIPTION	DATE	APPROVED
	A	SALES DRAWING	8/5/2019	CD MORLAND



1/2" HOSE BARB
OUTLET PORT

1/4" DRAIN VALVE

TRIPOD STAND
INCLUDED



1/4" VENT
VALVE

1/2" HOSE BARB OR
1-1/2 TC INLET PORT

VIEW A-A
SCALE 1 / 4

4

3

2

1

A

A

DRAWN ONYX AHMAD	7/24/2019
CHECKED YA ZANKI	8/5/2019
APPROVED CD MORLAND	8/5/2019

International Filter Products
 11070 Fleetwood St., Unit B
 Sun Valley, CA 91352
 PHONE: 818-504-8115
 FAX: 818-841-2947
 email: www.internationalfilterproducts.com

UNLESS OTHERWISE SPECIFIED
 DIMENSIONS ARE IN INCHES
 DECIMALS FRACTIONS +/- 1/16
 X +/- .030 ANGLES +/- 1/2
 XX +/- .015 SURFACE ROUGHNESS 125
 XXX +/- .005
 CONCENTRICITIES .010 (FIM)
 INTERNAL RADII .015~.030
 BREAK CORNERS .005~.015

TITLE DISC HOLDER, 142 MM, 316L SS			
SIZE A	ISOF NO	DWG NO IFP-141-1142	REV A
SCALE NA	WEIGHT 19.943 lbmass	SHEET 2 OF 3	

