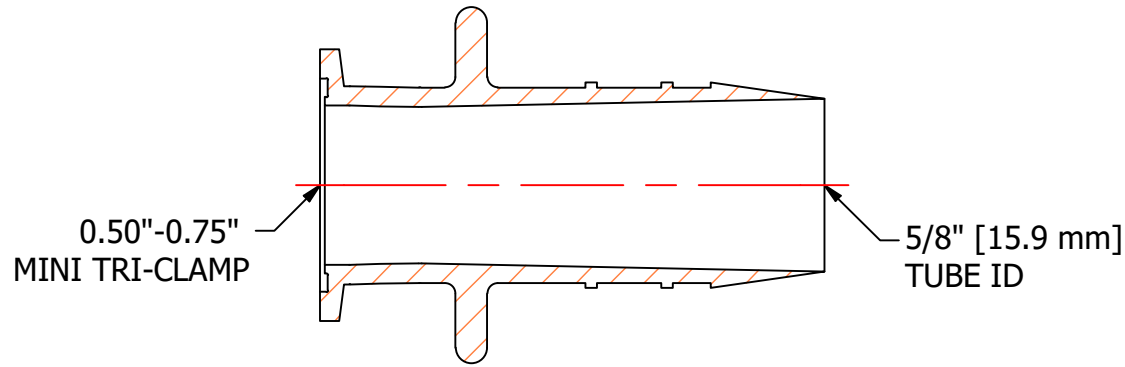
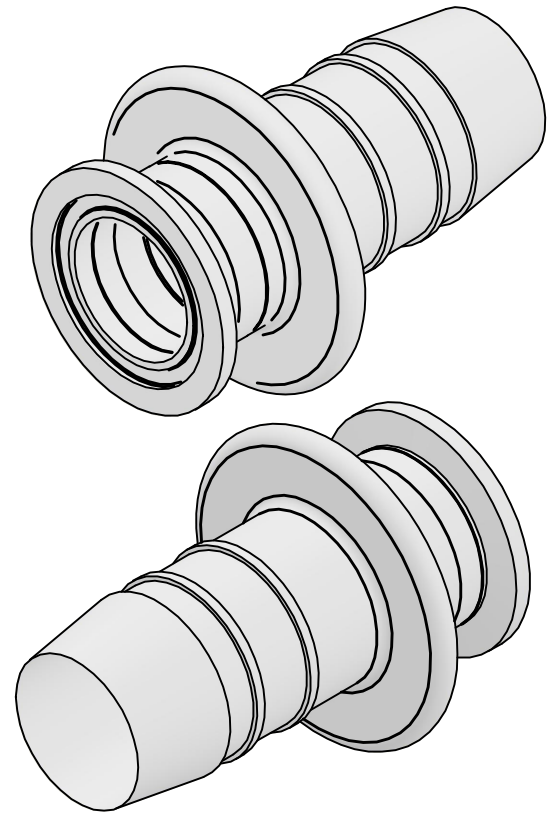
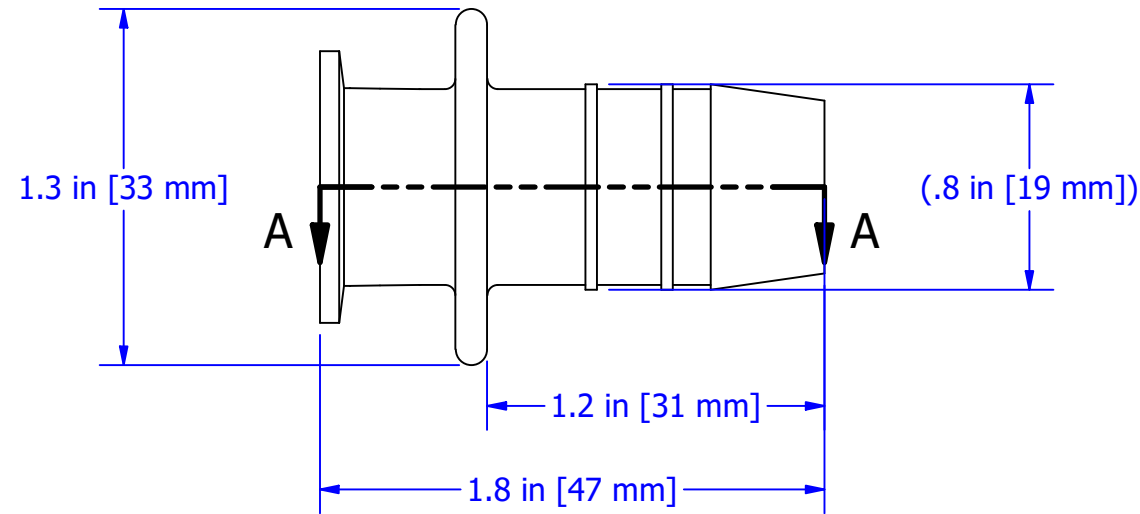


THIS DOCUMENT IS FOR REFERENCE ONLY AND IS PROPRIETARY INFORMATION BELONGING TO INTERNATIONAL FILTER PRODUCTS UNAUTHORIZED COPIES OR USE FOR OTHER PURPOSES STRICTLY PROHIBITED.

REVISIONS				
ZONE	REV	DESCRIPTION	DATE	APPROVED
	-	SALES DRAWING	10/28/2022	YA ZANKI



**SECTION A-A**  
**SCALE 1 : 0.7**



**NOTE:**

- 1.0 Material: Polypropylene
- 2.0 Can be Sterilized by Gamma Radiation
- 3.0 Max. Working Pressure @ 200 °F (93.3 °C): 100 PSI
- 4.0 Max. Working Pressure @ 72 °F (22.2 °C): 250 PSI
- 5.0 Max. Working Temperature: 200 °F (93.3 °C)
- 6.0 Manufactured and Packaged in a Certified Clean Room
- 7.0 Regulatory Information is Found in Catalog

DRAWN NV GABRIEL 10/7/2022		<b>International Filter Products</b> 7914 AJAY DRIVE      PHONE: 818-504-8115 SUN VALLEY, CA 91352      FAX: 818-841-2947 email: charlie@internationalfilterproducts.com		
CHECKED YA ZANKI 10/28/2022				
APPROVED YA ZANKI 10/28/2022				
UNLESS OTHERWISE SPECIFIED DIMENSIONS ARE IN INCHES				
DECIMALS	FRACTIONS +/- 1/16	TITLE		
X +/- .030	ANGLES +/- 1/2	FITTING, MINI TC TO HB, 0.625 in ID, PP		
XX +/- .015	SURFACE ROUGHNESS 125	SIZE	ISOF NO	DWG NO
XXX +/- .005		A		PFMS625PPAF
CONCENTRICITIES .010 (FIM)		SCALE	WEIGHT	REV
INTERNAL RADII .015~.030		NA	0.011 lbmass	-
BREAK CORNERS .005~.015		SHEET 1 OF 1		