



International Filter Products

Revolutionary systems for your industry

LZ Series PES – Dual Layer Full Size Filter Capsules

PureFlo® Z-Series Full-size Capsule Filters are gamma stable and ideally suited for integration into single use applications. These filters feature an asymmetric hydrophilic PES membrane that demonstrates exceptional capacity and flow performance in liquid applications. The Z-Series Full-size Capsule filters offer full-scale filtration in a variety of applications in the biopharmaceutical industry. The Z-Series product family has been designed for easy pre- and post-use integrity testing, assuring easy wetting for quick and accurate integrity test results. The compact design and available inlet and outlet fittings allow efficient integration of Z-Series Full-size Capsule Filters into a wide range of single-use systems. Z-Series Full-size Capsule Filters provide biopharmaceutical manufacturers with a filtration solution configured to meet their process needs.

Application

- Buffers and Media
- Final Drug Product
- Vaccines
- Scale up processing
- Product Sterilization
- WFI
- Biologics
- Ultra-Pure Water
- Ophthalmic
- Pharmaceuticals
- Antibiotics
- Serums

Part Number: LZT1XS020GTCTC



LZ Series T-Type Capsule
with 1.5" Tri-Clamp Inlet
and Outlet Connection



International Filter Products

Revolutionary systems for your industry

Technical Data Sheet

Popular Configuration:

Catalog Number	Micron Rating	Inlet Connection	Outlet Connection	Vent Connection	Gamma Sterilization
LZT1XS020GTCTC	0.65 µm / 0.2 µm (Dual Layer)	1.5" Tri-Clamp	1.5" Tri-Clamp	Bleed Valve with 1/4" Hose Barb	up to 50kGy

❖ Find the complete list of available standard inlet and outlet fittings in page 5.

Micron Rating:

Final Media: 0.2 µm PES [Sterilizing Grade Membrane]

Pre-Filter: Highly Asymmetric 0.65 µm PES

Effective Filtration Area:

10-Inch Long; 7.5 ft² (0.7 m²)

Materials of Construction:

Membrane: Pharmaceutical Grade PES (Polyethersulfone) Sterilizing Grade

Membrane Feature: Hydrophilic, Low Protein Binding, High Flow Rate

Media Supports: Polyester (PET)

Shell: Gamma Stable Polypropylene

Cage, Core, End Caps: Nylon

Valve O-Rings: Silicon (Standard)

Sealing: Thermally Bonded

Operating Conditions:

Maximum Forward Differential Pressure: **Liquid:** 5.5 bar (80psi) at 77°F/25°C

Gas: 4.1 bar (60psi) at 77°F/25°C

Minimum Burst Pressure: 8.3 bar (120psi) at 77°F/25°C

Maximum Reverse Differential Pressure: 3.0 bar (44psi) at 68°F/20°C

Maximum Operating Temperature: 176°F/80°C

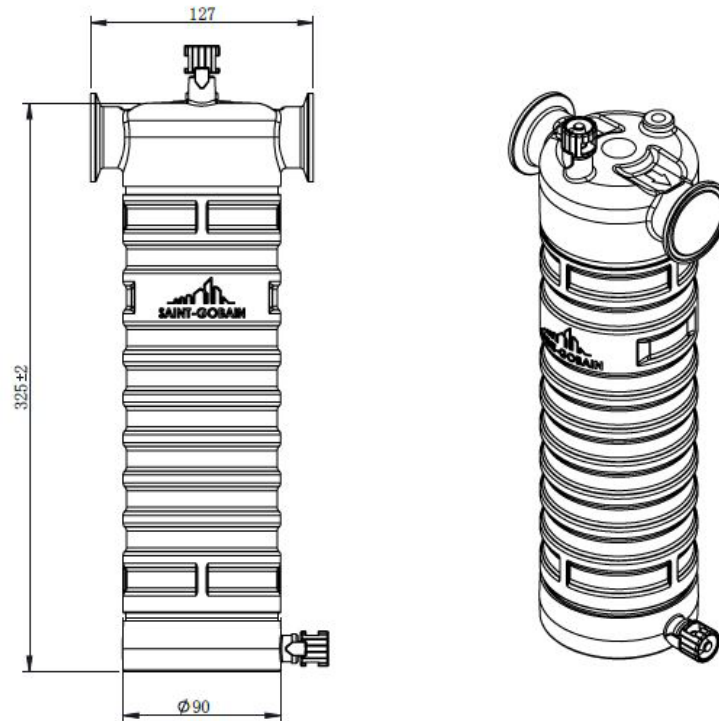


International Filter Products

Revolutionary systems for your industry

Nominal Dimension: All dimensions are in Millimeter

Part Number: LZT1XS020GTCTC



Hold-Up Volume (Approx.):

Upstream Volume: 916 ml

Downstream Volume: 127 ml

Typical Filtered Volume:

100.0L – 400.0L

Filter Integrity:

The finished product was sampled and shown to exhibit a minimum bubble point of ≥ 18 psi (1.2 bar) in 60%IPA / 40% water and ≥ 50 psi (3.5 bar) in DI Water (at 22°C).

Sterilization:

Gamma Irradiation: The filters can be Gamma Sterilized up to 50kGy.

Autoclave: The filters can be autoclaved up to 10 cycles at 125°C (257°F) for 30 minutes.

Warning: The filters cannot be sterilized by steam-in-place (SIP)

Shelf Life:

The LZ capsules have a shelf life of 3 years from the date of manufacture.



International Filter Products

Revolutionary systems for your industry

Regulatory Compliance:

Category	Standard or Reference Test
Physiochemical	<ul style="list-style-type: none"> • USP Oxidizable Substances • USP <645> Conductivity • USP <643> Non-Volatile Residue • Total Organic Carbon (TOC) Analysis
Cleanliness	<ul style="list-style-type: none"> • USP <85> Bacterial Endotoxin Test • USP <788> Particulate Matter • 21 CFR 210.72 and 210.3 (b) (6) Fiber Shedding
Biocompatibility	<ul style="list-style-type: none"> • ASTM F756-17 Hemolysis • USP <88> (USP Class VI Plastics) Biological Reactivity Tests, In Vivo • USP <87> / ISO 10993-5, In Vitro Cytotoxicity • 21 CFR 177 FDA Indirect Food Additive
Bacterial Retention	Quantitative retention of 10^7 CFU/cm ² <i>Brevundimonas diminuta</i> per ASTM methodology
USP Bacterial Endotoxins	A representative sample from the lot is tested to confirm that an aqueous extraction of the product contains <0.25 EU/mL as determined by the Limulus Amebocyte Lysate (LAL) Test.
Animal-derived Components	No animal-derived material is intentionally added or used during the manufacture of PureFlo Z Series PES Capsules.
RoHS	Restriction of Hazardous Substances (RoHS 3) Directive 2015/863
REACH	REACH (Registration, Evaluation, Authorization and Restriction of Chemicals) Article 57, Regulation No. 1907/2006)
Traceability	<p>For traceability and easy identification:</p> <ul style="list-style-type: none"> • A Certificate of Conformance is provided with each capsule. • Each filter bag and box are labeled with the product part number, lot number, and identifying characteristics. • Each capsule is engraved and labeled with the product part number, lot number, and identifying characteristics.





International Filter Products

Revolutionary systems for your industry

LZ- PureFlo® Z Series PES Full-Size Capsules

Ordering Guide



[1]	[2]	[3]	[4]	[5] Inlet and [6] Outlet
Filter Configuration	Filter Size Code [Filtration Area]	Micron Rating [Pre-Filter/Final Filter]	Vent/Drain	Inlet and Outlet Connection
<ul style="list-style-type: none"> I : I-Line T : T-Line 	<ul style="list-style-type: none"> 1 : 10-Inch [Filtration Area: 0.7 m²] 2 : 20-Inch [Filtration Area: 1.4 m²] 3 : 30-Inch [Filtration Area: 2.1 m²] 4 : 40-Inch [Filtration Area: 2.8 m²] 	<ul style="list-style-type: none"> S010 : 0.1 µm S020 : 0.2 µm ZS010 : 0.2/0.1 µm ZS020 : 0.45/0.2 µm XS010 : 0.45/0.1 µm XS020 : 0.65/0.2 µm 	<ul style="list-style-type: none"> G: 1/4" Bleed valve J: 1/4" Bleed valve (near inlet only) A: 1/4" Bleed valve (near outlet only) 	<ul style="list-style-type: none"> 3H : 3/8" Hose Barb 4H : 1/2" Hose Barb 5H : 9/16" Hose Barb MT : 1/2" Tri-Clamp TC : 1-1/2" Tri-Clamp

Example:

LZI3XS020G4H4H

PureFlo LZ Series In-Line Full-Size Capsule, Highly Asymmetric Dual Layer PES 0.65µm / 0.2µm PES Sterilizing Grade Membrane, 30.0", Filtration Area 2.1 m², 1/4" bleed valve vent and drain, 1/2" Hose Barb (Inlet/Outlet)

Part Number

Description



International Filter Products

Revolutionary systems for your industry

Special Configuration:

Layer Option:

- Single Layer
- Dual Layer

Micron Rating Option:

- 0.1 μm
- 0.2 μm
- 0.2/0.1 μm
- 0.45/0.2 μm
- 0.45/0.1 μm
- 0.65/0.2 μm

Vent/Drain Option:

In-Line:

- G: 1/4" Bleed valve
- J: 1/4" Bleed valve (near inlet only)
- A: 1/4" Bleed valve (near outlet only)

Inlet Fitting Option:

- 3H = 3/8" Hose Barb
- 4H = 1/2" Hose Barb
- 5H = 5/8" Hose Barb
- MT = 1/2" Tri clamps
- TC = 1-1/2" Tri clamp

Outlet Fitting Option:

- 3H = 3/8" Hose Barb
- 4H = 1/2" Hose Barb
- 5H = 5/8" Hose Barb
- MT = 1/2" Tri clamps
- TC = 1-1/2" Tri clamp

