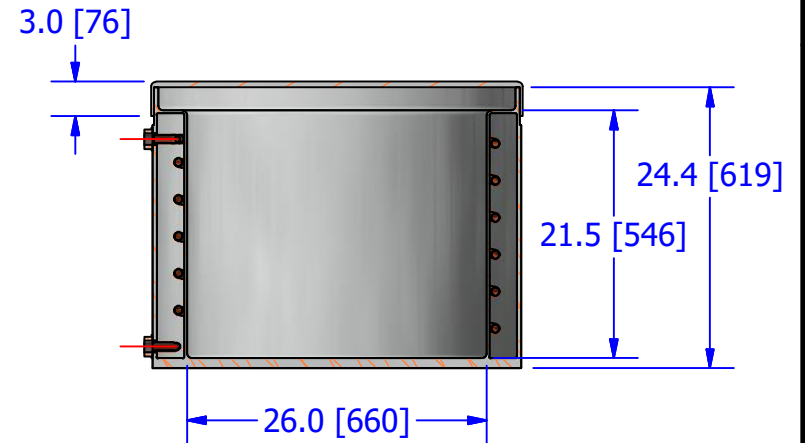
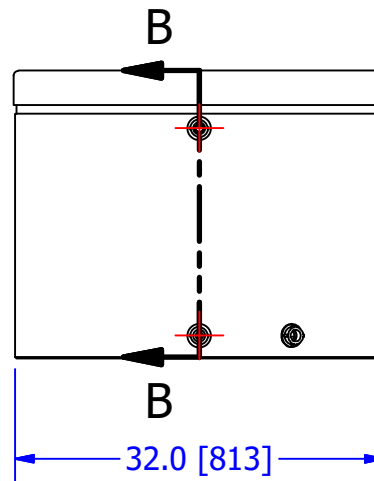
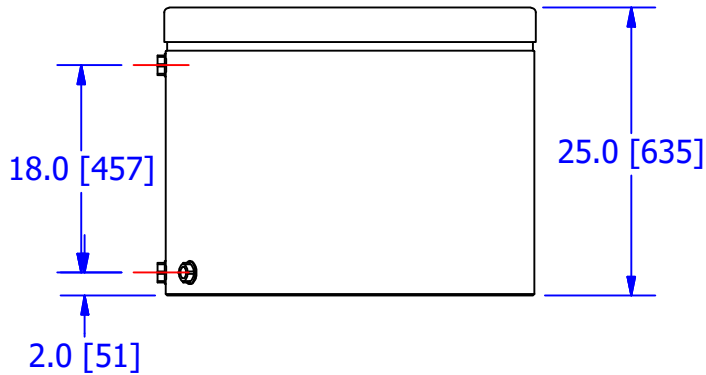
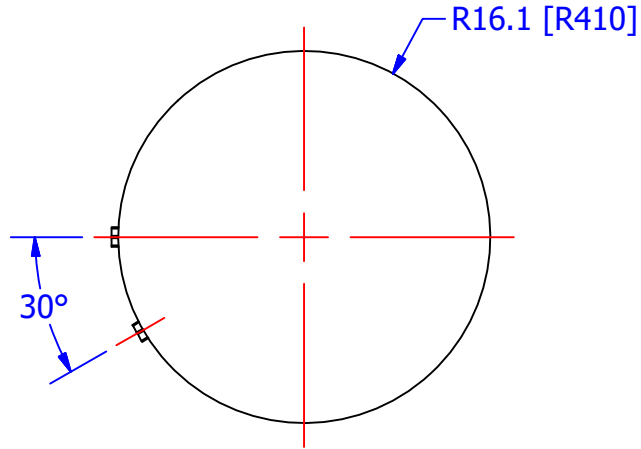


THIS DOCUMENT IS FOR REFERENCE ONLY AND IS PROPRIETARY INFORMATION BELONGING TO INTERNATIONAL FILTER PRODUCTS UNAUTHORIZED COPIES OR USE FOR OTHER PURPOSES STRICTLY PROHIBITED.

REVISIONS				
ZONE	REV	DESCRIPTION	DATE	APPROVED
	-	PRODUCTION RELEASE	10/5/2012	CD Morland
	A	ADDED DIMENSIONS, CHANGED NOTES, AND ADDED 2nd PAGE.	1/28/2020	CD Morland



SECTION B-B
SCALE 0.06 : 1

NOTES:

- 1.0 TANK MATERIAL IS HDPE.
- 2.0 THE COPPER TUBING COIL IS 3/4" AND FORMS A HELICOIL AROUND THE INNER PIPE OF THE TANK. THE TUBING IS RATED @ 75 PSI [5.1 BAR] @ 104 °F [40 °C].
- 3.0 THE FILLER PORT PURPOSE IS TO PERMIT THE 50% GLYCOL WATER SOLUTION TO BE PUMPED INTO AND/OR DRAINED FROM COOLING JACKET.

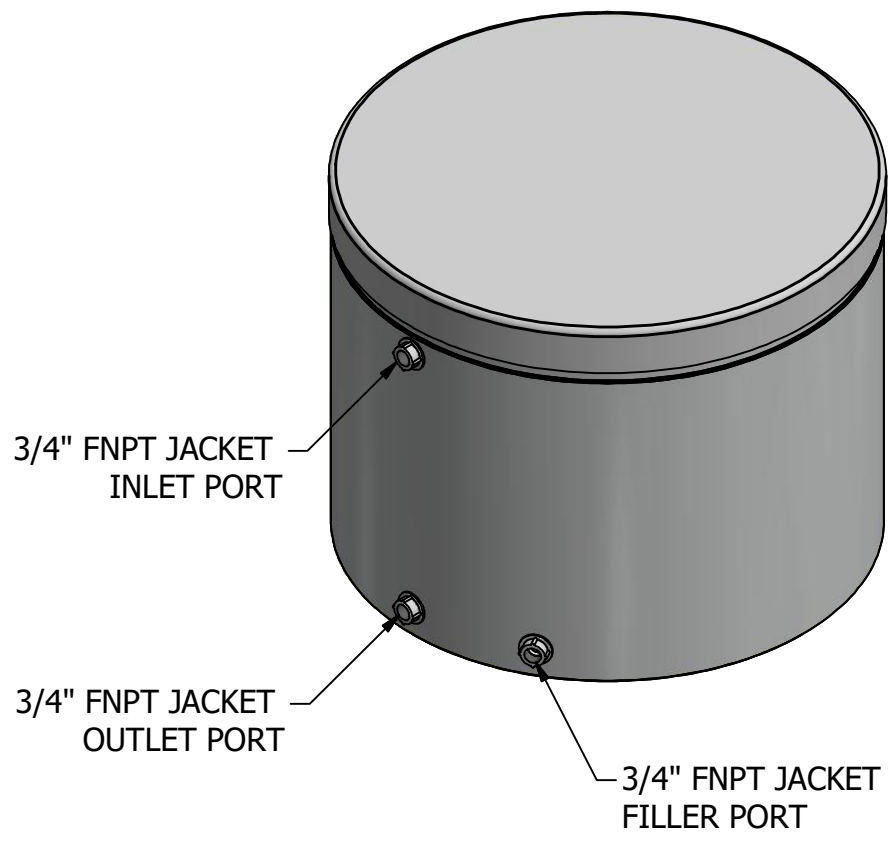
DRAWN YA ZANKI	10/5/2012	International Filter Products	
CHECKED CD Morland	10/5/2012	11070 FLEETWOOD ST. SUN VALLEY, CA 91352	PHONE: 818-504-8115 FAX: 818-841-2947 email: sales@internationalfilterproducts.com
APPROVED CD Morland	10/5/2012	TITLE JACKETED TANK, 200L, HDPE	
UNLESS OTHERWISE SPECIFIED DIMENSIONS ARE IN INCHES		SIZE A	ISOF NO
DECIMALS X +/- .030	FRACTIONS +/- 1/16	DWG NO FSF00001.03	REV A
XX +/- .015	ANGLES +/- 1/2	SCALE NA	WEIGHT 56 LBS [25.4 KG]
XXX +/- .005	SURFACE ROUGHNESS 125	SHEET 1 OF 2	
CONCENTRICITIES .010 (FIM)			
INTERNAL RADII .015~.030			
BREAK CORNERS .005~.015			

THIS DOCUMENT IS FOR REFERENCE ONLY AND IS PROPRIETARY INFORMATION BELONGING TO INTERNATIONAL FILTER PRODUCTS UNAUTHORIZED COPIES OR USE FOR OTHER PURPOSES STRICTLY PROHIBITED.

REVISIONS				
ZONE	REV	DESCRIPTION	DATE	APPROVED
	-	PRODUCTION RELEASE	10/5/2012	CD Morland
	A	ADDED DIMENSIONS, CHANGED NOTES, AND ADDED 2nd PAGE.	1/28/2020	CD Morland

D
C
B
A

D
C
B
A



DRAWN YA ZANKI	10/5/2012
CHECKED CD Morland	10/5/2012
APPROVED CD Morland	10/5/2012

International Filter Products
 11070 FLEETWOOD ST. PHONE: 818-504-8115
 SUN VALLEY, CA 91352 FAX: 818-841-2947
 email: sales@internationalfilterproducts.com

TITLE **JACKETED TANK, 200L, HDPE**

UNLESS OTHERWISE SPECIFIED DIMENSIONS ARE IN INCHES

DECIMALS FRACTIONS +/- 1/16
 X +/- .030 ANGLES +/- 1/2
 XX +/- .015 SURFACE ROUGHNESS 125
 XXX +/- .005

CONCENTRICITIES .010 (FIM)
 INTERNAL RADII .015~.030
 BREAK CORNERS .005~.015

SIZE A	ISOF NO	DWG NO FSF00001.03	REV A
SCALE NA	WEIGHT 56 LBS (25.4 KG)	SHEET 2	OF 2

4

3

2

1