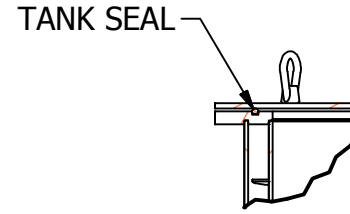
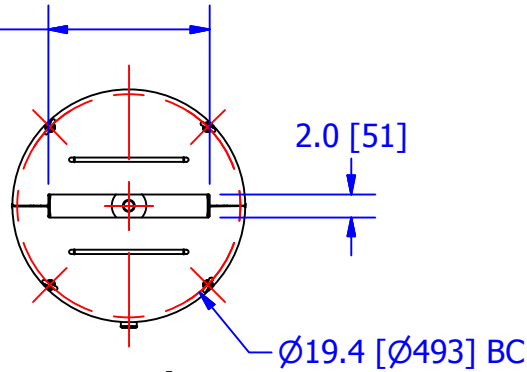
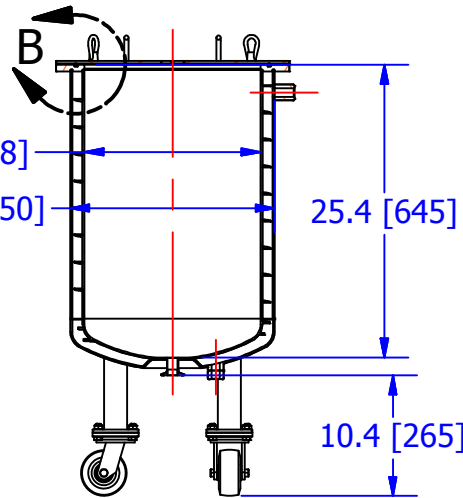
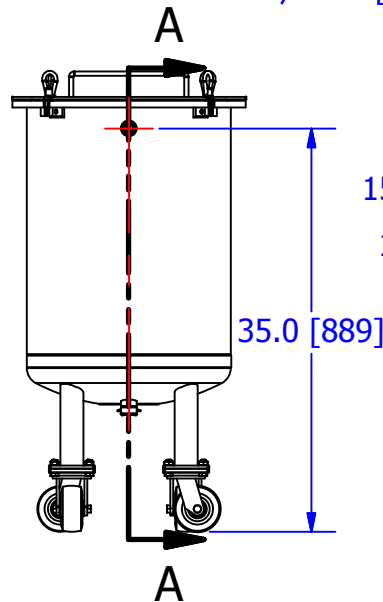


THIS DOCUMENT IS FOR REFERENCE ONLY AND IS PROPRIETARY INFORMATION BELONGING TO INTERNATIONAL FILTER PRODUCTS UNAUTHORIZED COPIES OR USE FOR OTHER PURPOSES STRICTLY PROHIBITED.

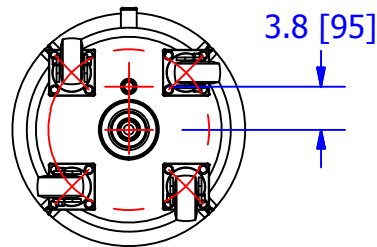
REVISIONS				
ZONE	REV	DESCRIPTION	DATE	APPROVED
	-	SALES DRAWING	7/16/2019	CD Morland



DETAIL B  
SCALE 0.12 : 1



SECTION A-A  
SCALE 0.06 : 1



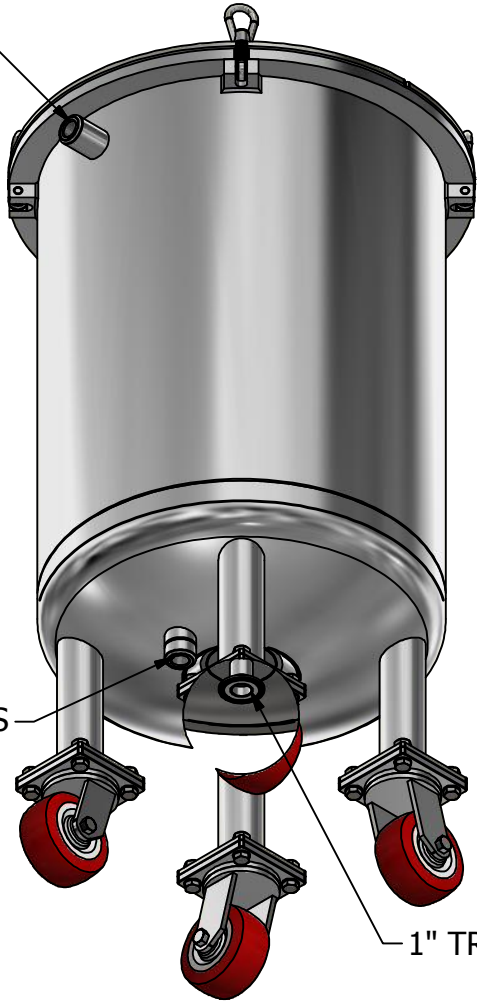
NOTES:

- 1.0 MATERIAL: 316L SS WETTED SURFACES
- 2.0 THE DRAIN PORT: 50L (13.2 GALLONS)
- 3.0 THE PROCESS VESSEL MUST BE JACKETED ON THE OUTSIDE, JACKET MATERIAL: 304 SS
- 4.0 INTERNAL WETTED SURFACES ARE 16 RA FINISH; EXTERNAL EXPOSED SURFACES ARE 25 RA FINISHED.
- 5.0 ALL SURFACES ARE TO BE ELECTRO-POLISHED.
- 6.0 GASKET MATERIAL: SILICON
- 7.0 THE DESIGN PRESSURE OF THE JACKET IS 100 PSI [6.8 BAR] @ 212°F [100°C]
- 8.0 JACKET HAS BAFFLES TO ENSURE FLUID CIRCULATES EVENLY AROUND THE PROCESS FLUID VESSEL.
- 9.0 THE JACKET FLUID IS REFRIGERATION COOLANT, INLET/OUTLET PORT: 3/4" FNPT
- 10.0 FOUR LEGS ARE WELDED FOR SUPPORT WITH 4" CASTERS FOR MOBILITY.

DRAWN YA Zanki 7/29/2019 CHECKED A. Aziz 7/29/2019 APPROVED CD Morland 7/29/2019	<b>International Filter Products</b> 11070 Fleetwood St., Unit B Sun Valley, CA 91352 PHONE: 818-504-8115 FAX: 818-841-2947 email: www.internationalfilterproducts.com
UNLESS OTHERWISE SPECIFIED DIMENSIONS ARE IN INCHES DECIMALS FRACTIONS +/- 1/16 X +/- .030 ANGLES +/- 1/2 XX +/- .015 SURFACE ROUGHNESS 125 XXX +/- .005 CONCENTRICITIES .010 (FIM) INTERNAL RADII .015~.030 BREAK CORNERS .005~.015	TITLE <b>TANK, ELLIPTICAL, JACKETED, 50L</b> SIZE A ISOF NO DWG NO <b>IFP-021-1807</b> SCALE NA WEIGHT N/A SHEET 1 OF 2

THIS DOCUMENT IS FOR REFERENCE ONLY AND IS PROPRIETARY INFORMATION BELONGING TO INTERNATIONAL FILTER PRODUCTS UNAUTHORIZED COPIES OR USE FOR OTHER PURPOSES STRICTLY PROHIBITED.

3/4" JACKET PORTS



4 SWING BOLTS



DRAWN	7/29/2019
YA Zanki	
CHECKED	7/29/2019
A. Aziz	
APPROVED	7/29/2019
CD Morland	

**International Filter Products**

11070 Fleetwood St., Unit B  
Sun Valley, CA 91352

PHONE: 818-504-8115  
FAX: 818-841-2947  
email: www.internationalfilterproducts.com

UNLESS OTHERWISE SPECIFIED  
DIMENSIONS ARE IN INCHES

DECIMALS	FRACTIONS +/- 1/16
X +/- .030	ANGLES +/- 1/2
XX +/- .015	SURFACE ROUGHNESS 125
XXX +/- .005	

CONCENTRICITIES .010 (FIM)  
INTERNAL RADII .015~.030  
BREAK CORNERS .005~.015

TITLE			
TANK, ELLIPTICAL, JACKETED, 50L			
SIZE	ISOF NO	DWG NO	REV
A		IFP-021-1807	-
SCALE	WEIGHT	SHEET 2 OF 2	
NA	N/A		