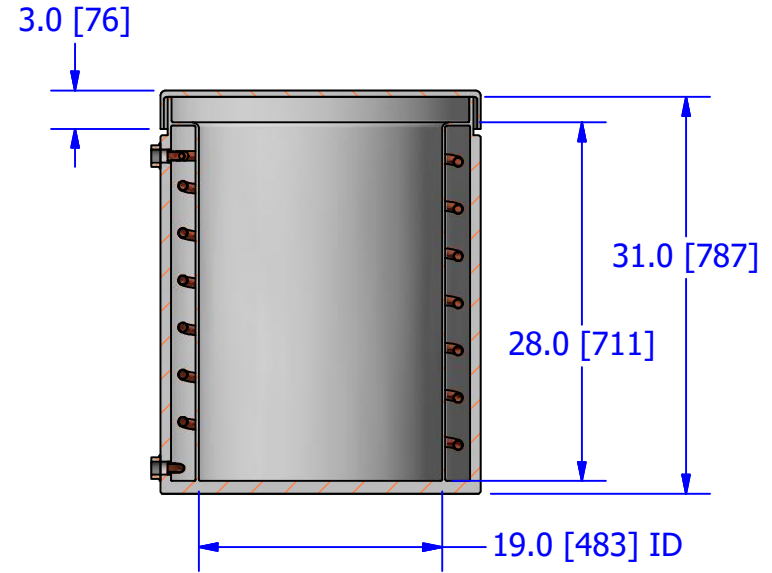
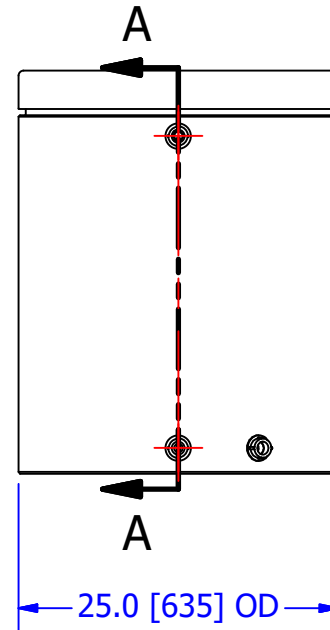
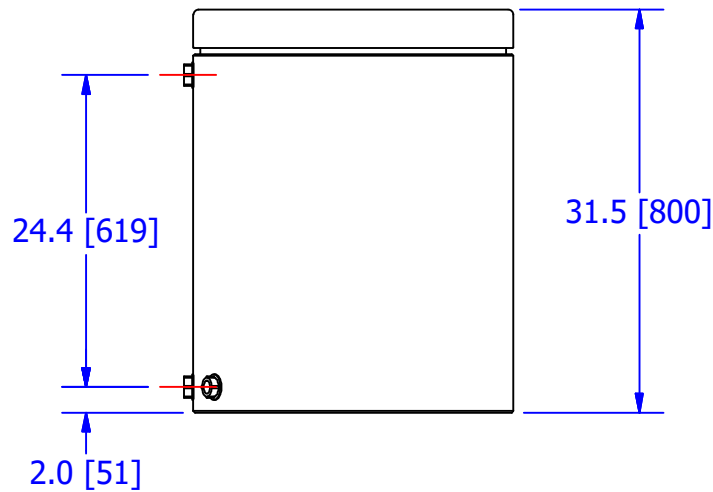
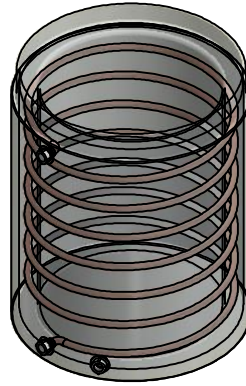
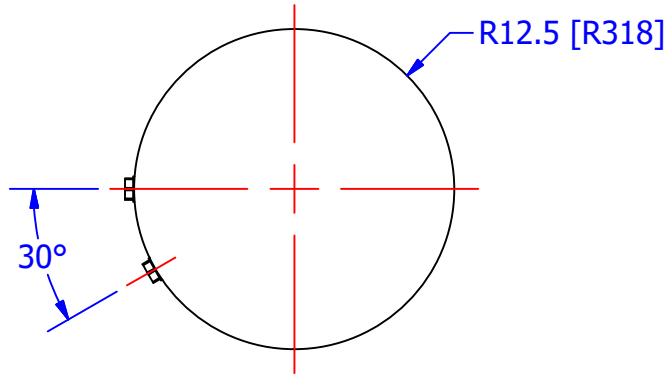


THIS DOCUMENT IS FOR REFERENCE ONLY AND IS PROPRIETARY INFORMATION BELONGING TO INTERNATIONAL FILTER PRODUCTS UNAUTHORIZED COPIES OR USE FOR OTHER PURPOSES STRICTLY PROHIBITED.

| REVISIONS |     |  |           |            |
|-----------|-----|--|-----------|------------|
| ZONE      | REV | DESCRIPTION  | DATE      | APPROVED   |
|           | A   | Added Notes and identified connections               | 10/1/2012 | CD Morland |
|           | B   | Added view to show coils                             | 4/16/2019 | YA Zanki   |
|           | C   | ADDED DIMENSIONS, CHANGED NOTES, AND ADDED 2nd PAGE. | 1/24/2020 | CD Morland |



SECTION A-A  
SCALE 1 / 15

- NOTES:
- 1.0 TANK MATERIAL IS HDPE.
  - 2.0 THE COPPER TUBING COIL IS 3/4" AND FORMS A HELICOIL AROUND THE INNER PIPE OF THE TANK. THE TUBING IS RATED @ 75 PSI [5.1 BAR] @ 104 °F [40 °C].
  - 3.0 THE FILLER PORT PURPOSE IS TO PERMIT THE 50% GLYCOL WATER SOLUTION TO BE PUMPED INTO AND/OR DRAINED FROM COOLING JACKET.

|  |                                    |                                     |   |                 |
|--|------------------------------------|-------------------------------------|---|-----------------|
| DRAWN<br>YA Zanki<br>9/28/2012   | CHECKED<br>CD Morland<br>9/28/2012 | APPROVED<br>CD Morland<br>9/28/2012 | <b>International Filter Products</b><br>11070 FLEETWOOD ST.<br>SUN VALLEY, CA 91352<br>PHONE: 818-504-8115<br>FAX: 818-941-2947<br>email: sales@internationalfilterproducts.com |                 |
| UNLESS OTHERWISE SPECIFIED<br>DIMENSIONS ARE IN INCHES<br>DECIMALS    FRACTIONS +/- 1/16<br>X +/- .030    ANGLES +/- 1/2<br>XX +/- .015    SURFACE ROUGHNESS 125<br>XXX +/- .005 |                                    |                                     | TITLE<br><b>JACKETED TANK, 100L, HDPE</b>   |                 |
| SIZE<br><b>A</b>   | ISOF NO<br>NA                      | DWG NO<br><b>FSF00001.02</b>        | REV<br><b>C</b>   | SCALE<br>1 OF 2 |
| WEIGHT<br>46 LBS [21 KG]   |                                    | SHEET                               |   |                 |

THIS DOCUMENT IS FOR REFERENCE ONLY AND IS PROPRIETARY INFORMATION BELONGING TO INTERNATIONAL FILTER PRODUCTS UNAUTHORIZED COPIES OR USE FOR OTHER PURPOSES STRICTLY PROHIBITED.

| REVISIONS |     |  |           |            |
|-----------|-----|--|-----------|------------|
| ZONE      | REV | DESCRIPTION  | DATE      | APPROVED   |
|           | A   | Added Notes and identified connections               | 10/1/2012 | CD Morland |
|           | B   | Added view to show coils                             | 4/16/2019 | YA Zanki   |
|           | C   | ADDED DIMENSIONS, CHANGED NOTES, AND ADDED 2nd PAGE. | 1/24/2020 | CD Morland |

3/4" FNPT JACKET INLET PORT

3/4" FNPT JACKET OUTLET PORT

3/4" FNPT JACKET FILLER PORT

0.75" COPPER CIRCULATION COIL

|   |                          |   |                 |  |
|---|--------------------------|---|-----------------|--|
| DRAWN<br>YA Zanki   | 9/28/2012                | <b>International Filter Products</b><br>11070 FLEETWOOD ST.      PHONE: 818-504-8115<br>SUN VALLEY, CA 91352      FAX: 818-841-2947<br>email: sales@internationalfilterproducts.com |                 |  |
| CHECKED<br>CD Morland   | 9/28/2012                |   |                 |  |
| APPROVED<br>CD Morland  | 9/28/2012                |   |                 |  |
| UNLESS OTHERWISE SPECIFIED<br>DIMENSIONS ARE IN INCHES<br>DECIMALS      FRACTIONS +/- 1/16<br>X +/- .030      ANGLES +/- 1/2<br>XX +/- .015      SURFACE ROUGHNESS 125 ✓<br>XXX +/- .005<br>CONCENTRICITIES .010 (FIM)<br>INTERNAL RADII .015~.030<br>BREAK CORNERS .005~.015 |                          | TITLE<br><b>JACKETED TANK, 100L, HDPE</b>   |                 |  |
| SIZE<br><b>A</b>  | ISOF NO                  | DWG NO<br><b>FSF00001.02</b>  | REV<br><b>C</b> |  |
| SCALE<br>NA   | WEIGHT<br>46 LBS (21 KG) | SHEET<br><b>2</b> OF <b>2</b>   |                 |  |