



## STERILE CAPSULE FILTER

These filters are designed for applications where sterility of the affluent is mandatory (Sterile Compounding and Pharmaceutical use). The product contains a pharmaceutical grade PES membrane (Sterilizing Grade) and the filters are built in a 10,000-class clean room, flushed, dried and 100% integrity tested prior to packaging. The product is factory sterilized by Ethylene Oxide gas (ETO) ensuring sterility.

## Technical Data Sheet

**Catalog Number: SKLS020S2H2H-PH-ETO & SKLS020SLF2H-PH-ETO & SKLS020SLFLM-PH-ETO**



### Materials of Construction

**Filter Membrane:** 0.2 um Pharmaceutical Grade PES Sterilizing Grade - Hydrophilic

**Supports:** Polypropylene

**Core:** Polypropylene

**Capsule Body:** Polypropylene

### Filter Dimensions and Specifications

**Outer Diameter:** 71.5 mm (2.81")

**Length, Fitting to Fitting:** 145 mm (5.7") (2H2H)/ 131.5 mm (5.17") (LF2H)

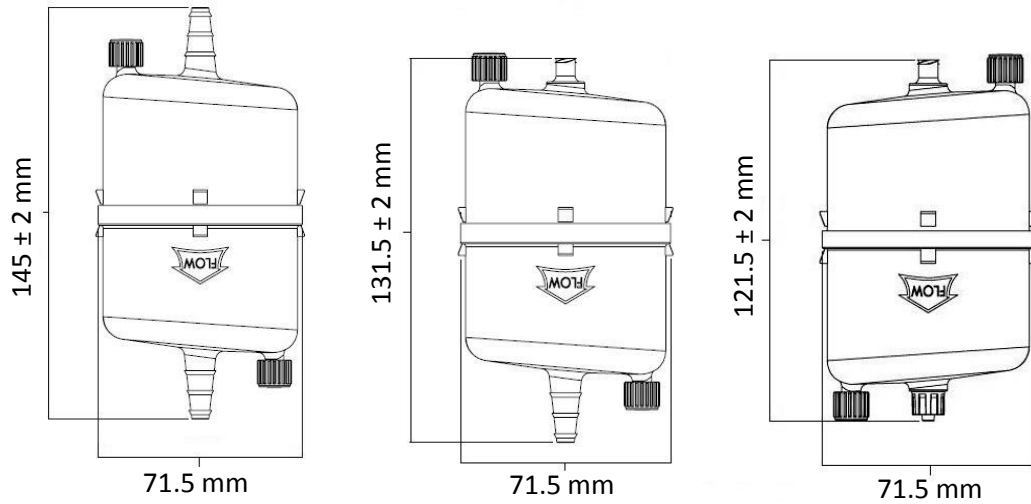
**Filter Area:** 1320 cm<sup>2</sup> (204.6 in<sup>2</sup>)

**Sterilization:** The filter is factory sterilized by Ethylene Oxide Gas (ETO)

**Inlet Fitting:** 2H2H: ¼" – ½" Tapered Hose Barb; LF2H: - Luer Loc Female

**Outlet Fitting:** ¼" – ½" Tapered Hose Barb

**Volume Filtered:** 25 L to 36 L



### Integrity Data

Pore Size	Min, Bubble Point, 25°C	Challenge Microorganisms	CFU per cm <sup>2</sup>
0.20 µm	≥3.5 bar (50 psi)	Brevundimonas Diminuta (ATCC 19146)	7

### Operating Parameters

Maximum Working Pressure: 5.5 bar (80 Psi) @ 25 °C (77 °F)

Maximum differential Pressure (forward): 4.1 bar (60 Psi) @ 25 °C (77 °F)

Maximum differential Pressure (reverse): 2.1 bar (30 Psi) @ 25 °C (77 °F)

Maximum Operating Temperature: 80 °C (176 °F)

Recommended Replacement Pressure: 2.4 bar (35.3 Psi)

### Safety

UPS Bacteria Endotoxins: ≤25 EU/ml

Factory Sterilized: Ethylene Oxide Gas (ETO)

Product was 100% Integrity Tested and flushed with filtered water @ 0.05 µm

### Regulatory

Complies with USP 797 Guidelines

ASTM F838-05 - Bacterial Retention

FDA 21 CFR 177.1655

USP Class VI - Biological Reactivity

ISO 10993-Part 1.5 - Cytotoxicity

ISO 14001; ISO 13485; OHSMS 18001 Certified.

ASTM Hemolysis testing