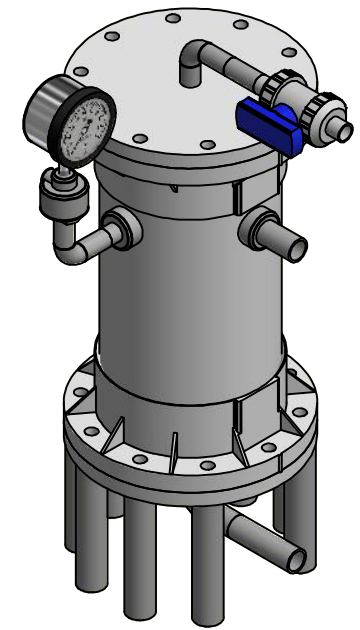
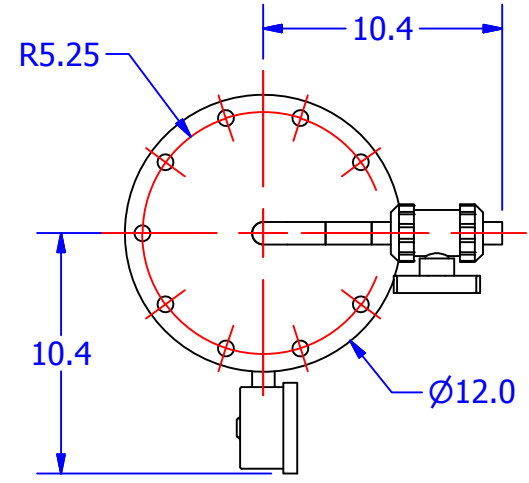
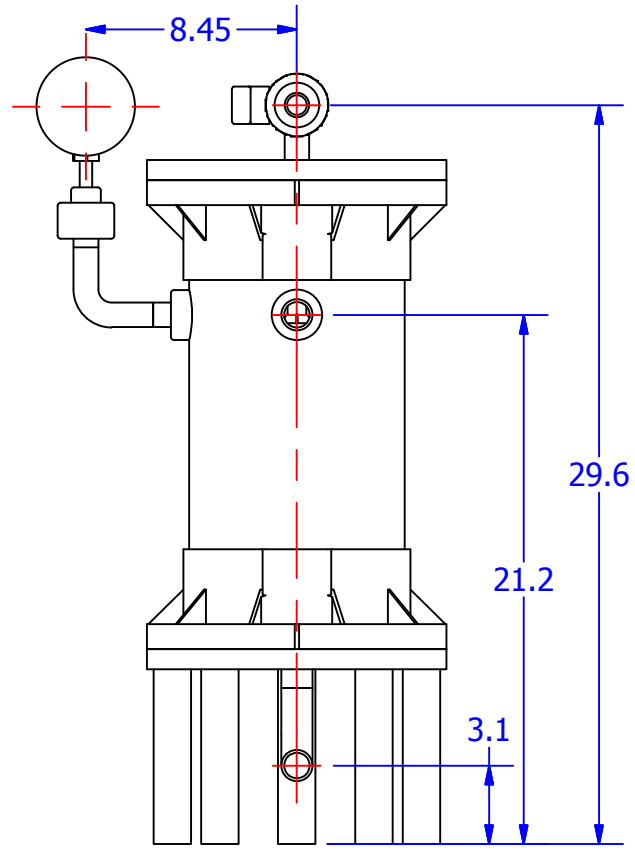
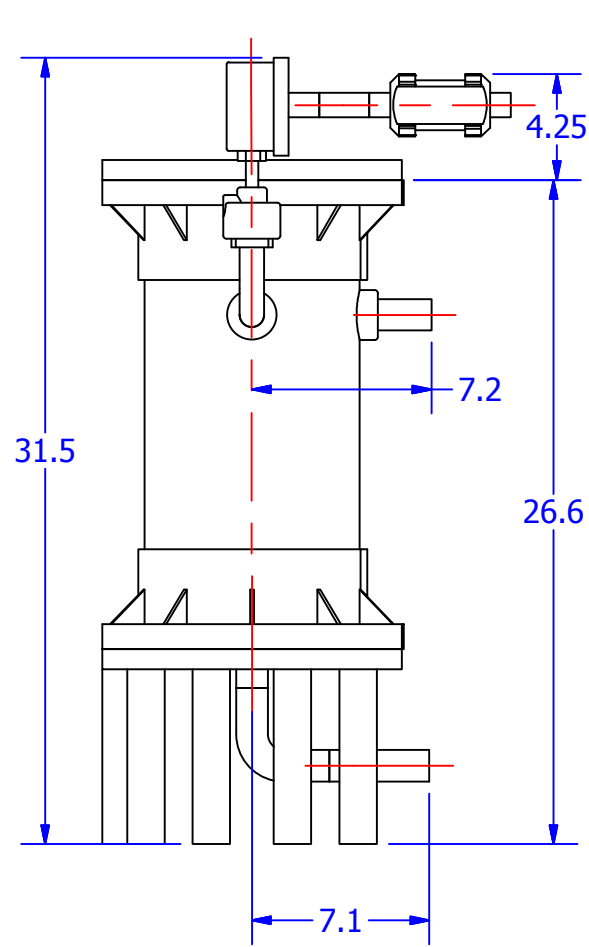


THIS DOCUMENT IS FOR REFERENCE ONLY AND IS PROPRIETARY INFORMATION BELONGING TO INTERNATIONAL FILTER PRODUCTS UNAUTHORIZED COPIES OR USE FOR OTHER PURPOSES STRICTLY PROHIBITED.

REVISIONS				
ZONE	REV	DESCRIPTION	DATE	APPROVED
	1	Production Release	3/4/2014	CD Morland

D
C
B
A



NOTES;

- 1.0 All wetted surfaces are PVDF.
- 2.0 Design Pressure is 40 PSI @ 70 F.
- 3.0 Inlet and Outlet are 32mm
- 4.0 Vent Valve: 25mm Ball Valve with EPDM seals.
- 5.0 Bolting Hardware: 1/2"-13 UNC bolts, 316L
- 6.0 Filters: Contains four (4) filters, SOE style flat end cap, 10" long, 2.75" dia

DRAWN YA Zanki	3/4/2014
CHECKED CD Morland	3/4/2014
APPROVED CD Morland	3/4/2014

UNLESS OTHERWISE SPECIFIED
DIMENSIONS ARE IN INCHES

DECIMALS	FRACTIONS +/- 1/16
X +/- .030	ANGLES +/- 1/2
XX +/- .015	SURFACE ROUGHNESS 125
XXX +/- .005	

CONCENTRICITIES .010 (FIM)
INTERNAL RADII .015~.030
BREAK CORNERS .005~.015

International Filter Products	
11070 Fleetwood St. Unit B Sun Valley, CA 91352	PHONE: 818-504-8115 email: sales@sbcglobal.net
TITLE Filter Housing - 10" Long	
SIZE A	ISOF NO
DWG NO 8C-4C-10	REV 1
SCALE NA	WEIGHT
SHEET 1 OF 1	

4 3 2 1