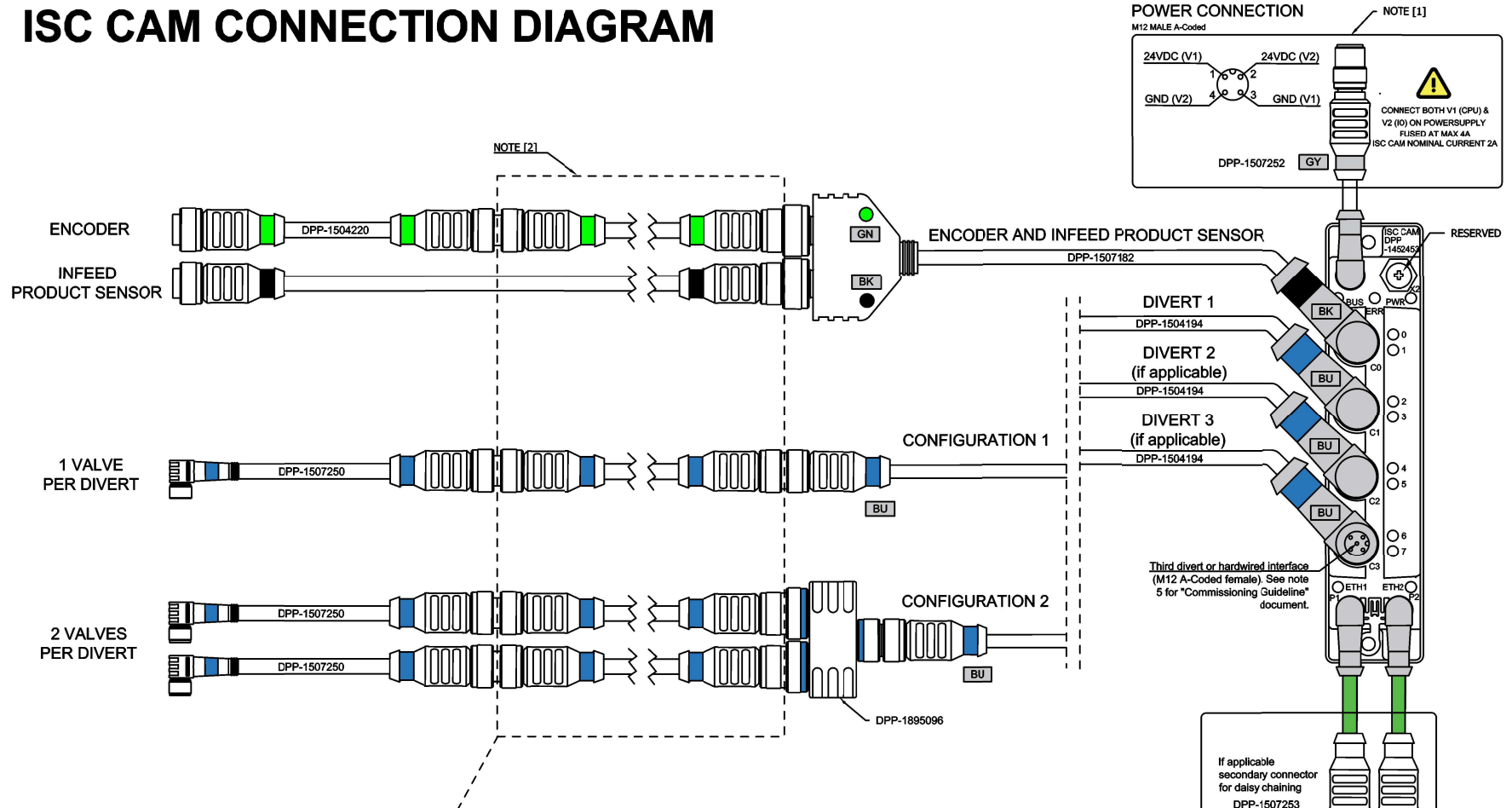


ISC CAM CONNECTION DIAGRAM



ISC CAM - INTERMEDIATE CABLE CONFIGURATION TABLE

LENGTH	SICK ENCODER RING GREEN	SENSORS RING BLACK	VALVE RING BLUE
0.0	0.0	-	-
1.5	0.5	DPP-1503333	DPP-1503279
3.0	1.0	DPP-1503334	DPP-1503280
4.5	1.5	DPP-1503335	DPP-1503281
6.0	2.0	DPP-1503336	DPP-1503282
7.5	2.5	DPP-1503337	DPP-1503283
9.0	3.0	DPP-1503338	DPP-1503284
10.5	3.5	DPP-1503339	DPP-1503285
13.0	4.0	DPP-1503340	DPP-1503286
14.5	4.5	DPP-1503341	DPP-1503287
16.0	5.0	DPP-1503342	DPP-1503288

- NOTES:
- ALL CABLE CONNECTIONS AND COVERS MUST MEET REQUIRED TORQUE SPECIFICATION TO MAINTAIN IP67/NEMA4X
 - IF APPLICABLE REFER TO TABLE FOR INTERMEDIATE CABLE PART NUMBER. SEE SPARE PART LIST.
 - UNLESS SPECIFIED ALL CABLES ARE 0.5M LONG.
 - APPLY COVERS TO NOT USED CONNECTORS
 - GO TO WWW.INTRALOX.COM/ISCCAM FOR MORE INFO
- REQ. CONNECTOR TORQUE
- | | |
|-------|-------|
| M8 | M12 |
| 0.5Nm | 0.9Nm |