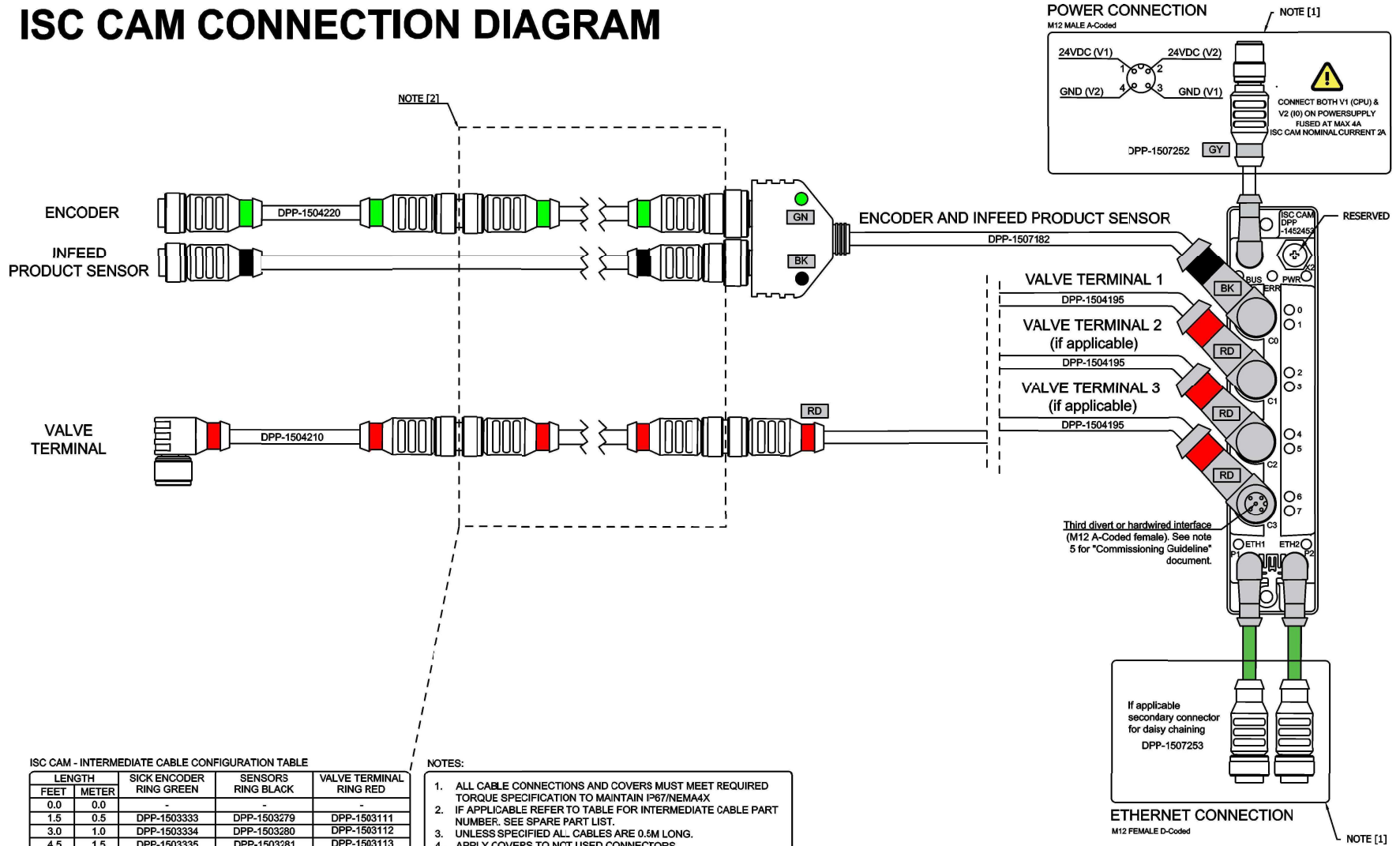


ISC CAM CONNECTION DIAGRAM



ISC CAM - INTERMEDIATE CABLE CONFIGURATION TABLE

LENGTH	SICK ENCODER RING GREEN	SENSORS RING BLACK	VALVE TERMINAL RING RED
0.0	-	-	-
1.5	DPP-1503333	DPP-1503279	DPP-1503111
3.0	DPP-1503334	DPP-1503280	DPP-1503112
4.5	DPP-1503335	DPP-1503281	DPP-1503113
6.0	DPP-1503336	DPP-1503282	DPP-1503114
7.5	DPP-1503337	DPP-1503283	DPP-1503115
9.0	DPP-1503338	DPP-1503284	DPP-1503116
10.5	DPP-1503339	DPP-1503285	DPP-1503117
13.0	DPP-1503340	DPP-1503286	DPP-1503118
14.5	DPP-1503341	DPP-1503287	DPP-1503119
16.0	DPP-1503342	DPP-1503288	DPP-1503120

- NOTES:
1. ALL CABLE CONNECTIONS AND COVERS MUST MEET REQUIRED TORQUE SPECIFICATION TO MAINTAIN IP67/NEMA4X
 2. IF APPLICABLE REFER TO TABLE FOR INTERMEDIATE CABLE PART NUMBER. SEE SPARE PART LIST.
 3. UNLESS SPECIFIED ALL CABLES ARE 0.5M LONG.
 4. APPLY COVERS TO NOT USED CONNECTORS
 5. GO TO WWW.INTRALOX.COM/ISCCAM FOR MORE INFO
- REQ. CONNECTOR TORQUE
- | | |
|-------|-------|
| M8 | M12 |
| 0.5Nm | 0.9Nm |

TECHNICAL SERVICE REGIONAL CONTACT
CUSTOMERSERVICE@INTRALOX.COM

REGION	LOCAL NUMBER
USA:	800-535-8948
BRAZIL:	0800-771-4325
EUROPE:	0800-022-9757
APAC:	4008-423-469

INTERPRET DRAWING DESIGNATIONS IAW IEC 61346-2

INTERPRET DIMENSIONS & TOLERANCES IN ACCORDANCE WITH ISO 2768CK
UNLESS OTHERWISE SPECIFIED DIMENSIONS ARE MILLIMETERS

THIS DRAWING IS THE PROPERTY OF INTRALOX, LLC. THE DESIGNS, CONCEPTS AND FEATURES DEPICTED OR DESCRIBED HEREIN ARE THE EXCLUSIVE PROPERTY OF INTRALOX, LLC. AND MAY NOT BE USED, REPRODUCED OR TRANSFERRED WITHOUT EXPRESS WRITTEN PERMISSION FROM INTRALOX, LLC.



PROJECT MANAGER: INTRALOX
DRAWN BY: INTRALOX
DESIGNED BY: INTRALOX
CHECKED BY: INTRALOX

INTRALOX SCHEMATIC NUMBER: DPP-1436996-005
PROJECT TITLE: ISC CAM CONNECTION DIAGRAM

DRAWING DESCRIPTION: S70X0 TECHNOLOGY WITH SICK ENCODER
1 OR 2 VALVE TERMINALS FOR RnR

REV: 03	STATUS: RELEASED
DATE: 3/5/24	SIZE: A3
INSTALLATION LOCATION:	
DRAWING NUMBER: 101	
SHEET: 1	TOTAL SHEETS: 1